



MUL-T-LOCK®

THE COMPLETE CATALOGUE



About Mul-T-Lock®

Founded in 1973 Mul-T-Lock® Ltd. is a worldwide leader in developing, manufacturing and marketing High Security products for institutional, commercial, industrial, residential and automotive applications.

Mul-T-Lock holds hundreds of international patents for its innovative products, which include mechanical cylinders, locks and padlocks, electromechanical locking systems, electronic door solutions (EDS), automatic assembly and key-cutting machines and complementary accessories. Mul-T-Lock products comply with the toughest international standards.

With a highly skilled workforce of over 650, Mul-T-Lock's factories are fully automated, using state-of-the-art technologies, including robotics and custom-designed machinery, the majority of which is manufactured by Mul-T-Lock.

Mul-T-Lock has built an international reputation based on unique design, quality products, adaptation to changing market needs and excellent customer service. The company sells its vast arsenal of field-proven High Security solutions through its selling units and through a distribution network in nearly 100 countries. Over 100 million users are supported through the auspices of 25,000 service centers deployed worldwide.

Mul-T-Lock is a fully owned selling unit of ASSA ABLOY, the world's leading manufacturer and supplier of locking solutions, with an annual turnover of more than €3.5 billion and more than 30,000 employees worldwide.





Mul-T-Lock, Ready for Any Challenge !

- ▶ A wide range of High Security locking solutions, from complex mechanical systems to advanced electronic offerings.
- ▶ A comprehensive offering of high quality locking products for a broad range of needs, including: mechanical cylinders, door locks, multipoint locks, cabinet locks, padlocks and vehicle locks.
- ▶ Exceptional customer service provided by a highly committed worldwide service & support network, serving the residential, commercial, industrial and automotive markets.
- ▶ Excellent product quality, evidenced by some of the toughest international standard certifications, including: UL, SKG, CEN, ANSI, ASTM, VDS and many more.
- ▶ Advanced key control, based on patent-protected key systems and dedicated key cutting machines.
- ▶ Extensive master keying capabilities, supported by smart, user- friendly software.
- ▶ Broad retrofitting possibilities, enabling the upgrade of existing locks in most countries.
- ▶ Outstanding user convenience, thanks to the One Key – Endless Possibilities concept, enabling the control of many different locks with a single key.
- ▶ Powerful burglar resistance technologies, incorporating the unique telescopic pin tumbler mechanism and many other state-of-the-art protective elements.
- ▶ Vast upgrade & expansion options for existing security systems.
- ▶ Easy installation procedures, specially devised for our customers' convenience.
- ▶ Smooth and accurate operation of the locking mechanism, thanks to Mul-T-Lock's unique telescopic pin technology.
- ▶ A selection of smart key-loss solutions, both mechanical and software-based.
- ▶ A powerful ASSA ABLOY Global Brand, recognized by customers around the world.

Always ready for any challenge, Mul-T-Lock's professional teams, from R&D to marketing, manufacturing and logistics, respond quickly and effectively to the needs and requests presented by our customers.

TABLE OF CONTENTS

CYLINDER PLATFORMS	5
CYLINDERS	19
LOCKS	81
PADLOCKS	107
MULTIPOINT LOCKS	121
ELECTRONIC DOOR SOLUTIONS (EDS)	149
VEHICLE PROTECTION SOLUTIONS (VPS)	175
MACHINERY	179
INDEX	189



CYLINDER PLATFORMS

Mul-T-Lock MT5® Platform

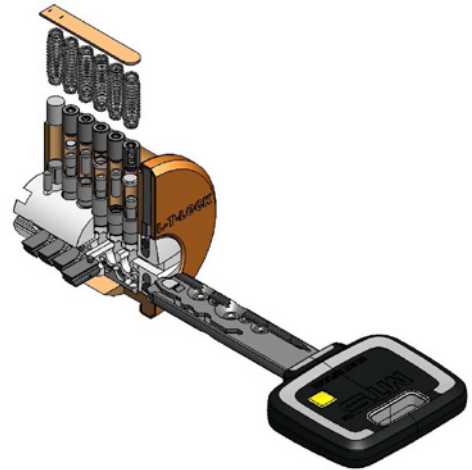
High Security with patented key control

Mul-T-Lock's MT5, the 5th generation patented state-of-the-art High Security cylinder platform, with built-in experience of 3 decades, features an advanced security concept that combines several powerful elements: the patented Alpha Spring located at the tip of the key, a magnetic key duplication card, and a dedicated computerized key-cutting machine - the KC5.

All combined, these features enable millions of possible combinations, extensive master-keying capabilities, keyway exclusivity for dealers, and automatic cutting of large key series.

The MT5's breakthrough features include:

- ▶ **Patented security:** the innovative Alpha Spring at the tip of the MT5 key - with a patent that expires only in 2025, engages a unique pin at the rear of the locking mechanism, to create an additional shear line.
- ▶ **KC5 - a dedicated key cutting machine:** the MT5 platform is supported by the super-smart newly developed KC5 electronic key cutting machine, that duplicates MT5 keys and automatically cuts large series of keys by interfacing with MASTERpiece software.
- ▶ **Advanced key control:** MT5 keys are provided with a coded magnetic duplication card - which can be read by the dedicated KC5 key cutting machine.
- ▶ **A new configuration** of Mul-T-Lock's unique telescopic pin technology, with 5 telescopic pins that fit special cuts on the MT5 key.
- ▶ **A huge** number of possible locking combinations, thanks to the double locking mechanism of telescopic pins and patented Alpha Spring.
- ▶ **Compliance** with the toughest international standards: European EN1303, SKG (Netherlands), Israeli standard, etc.



MT5®+

Mul-T-Lock High Security is even further enhanced by MT5+, an advanced version of the MT5 platform, featuring:

- ▶ An additional locking bar mechanism.
- ▶ An even greater number of possible combinations, enabled by the MT5+'s three different locking mechanisms.
- ▶ A special milled pattern on the patented key, which fits the locking bar.
- ▶ Exclusive keyway options based on the milled pattern.
- ▶ Extensive master keying capabilities, supporting very large and complex master key systems that incorporate hierarchy and matrix design requirements even within the same suite.



www.mul-t-lock.com



Mul-T-Lock Interactive® + Platform

Advanced key technology

Mul-T-Lock's Interactive+ platform builds on the foundation and innovation of the Interactive system, adding new features for enhanced effectiveness.

Mul-T-Lock's latest patent-pending technology protection is currently only available through the platform's unique pin design in Interactive+ cylinders.

- ▶ Interactive+ increases security effectiveness with a telescopic pin tumbler mechanism that requires the simultaneous alignment of both internal and external shear lines for plug rotation.
- ▶ Featuring enhanced intrusion protection, Interactive+ is highly pick, drill and bump resistant.
- ▶ Coded key cards and service through trained and authorized Mul-T-Lock Interactive+ dealers help prevent unauthorized duplication
- ▶ Available in all formats and product types — retrofit cylinders, padlocks, locks and multi-point locks — one key can fit them all.
- ▶ Master keying capabilities allow users to design the system they need
- ▶ Backwards compatibility provides existing Interactive users the flexibility to expand their systems seamlessly and migrate to Interactive+ at their own pace



Mul-T-Lock Interactive+ Platform meets the world's most stringent standards.

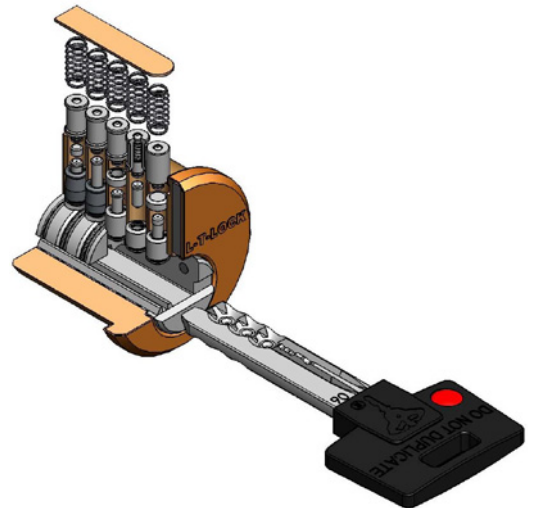


www.mul-t-lock.com

Mul-T-Lock Classic Platform

Mul-T-Lock's Classic platform is based on several special features:

- ▶ Mul-T-Lock's unique telescopic pin tumbler mechanism, with internal and external pins – requiring the simultaneous alignment of both internal and external shear lines for the plug to rotate.
- ▶ A specially designed plug, which forms a spherical, 3-dimensional shear line with the top and bottom pins, within the cylinder body.
- ▶ Steel inserts with high drill resistance
- ▶ High pick and bumping resistance
- ▶ Optional side and back pins, specially suited for master key systems.
- ▶ A coded Mul-T-Lock key card supplied in every package, to enhance key security. Additional keys may be cut by authorized Mul-T-Lock dealers, upon presentation of the key card – in accordance with Mul-T-Lock's official key cutting procedures.



The Classic platform meets the requirements of some of the most stringent European and American standards.



www.mul-t-lock.com

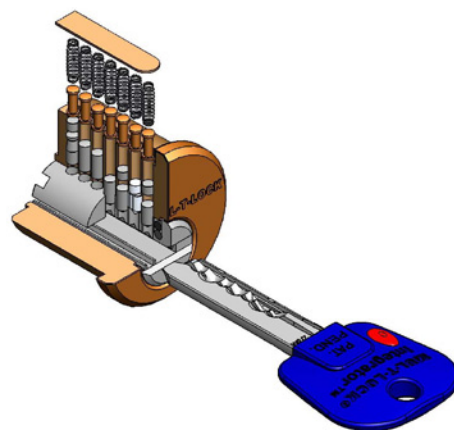


©2012 Mul-T-Lock Technologies Ltd. The Mul-T-Lock name and the muscleman logo, and any other name, mark or logo used by Mul-T-Lock and marked by © or ™ sign, are registered/pending trademarks of Mul-T-Lock Ltd. in various countries. Mul-T-Lock reserves the right to make any product improvements or modifications without prior notice.

Mul-T-Lock Integrator® Platform

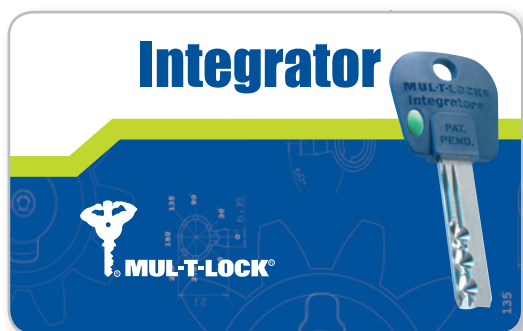
Mul-T-Lock's Integrator® platform, one generation ahead of the standard 7X7, introduces several advantageous features:

- ▶ A unique, high-precision 7-pin tumbler mechanism
- ▶ A patented key blank with a copy-protected oval cut, available in 3 different configurations: Internal, External and Twin
- ▶ Special launcher pins inserted into relevant cylinder plug chambers, corresponding to the key's oval cut



Thanks to its improved design, the robust Integrator platform offers enhanced tamper resistance, a range of keyed alike and keyed different options, and flexible master keying possibilities.

Key limitation is ensured by the key and key blank, supplied together with a coded Mul-T-Lock key card in every Integrator package. Additional keys may be cut by authorized Mul-T-Lock dealers, upon presentation of the key card – in accordance with Mul-T-Lock's official key cutting procedures.



www.mul-t-lock.com

Mul-T-Lock 7X7® Platform

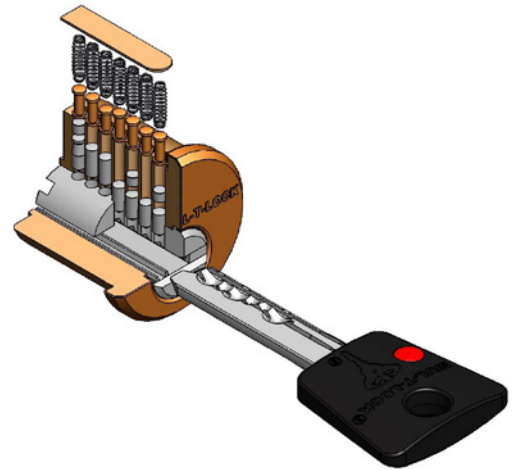
7X7 is Mul-T-Lock's standard platform, providing an excellent level of basic security and exceptional value for money.

The 7x7 features:

- ▶ A pin tumbler mechanism with 7 chambers
- ▶ A reversible nickel silver key with a plastic head

The 7x7 platform may be keyed alike, keyed different or master keyed.

Key limitation is ensured by the key and key blank, supplied together with a coded Mul-T-Lock key card. Additional keys may be cut by authorized Mul-T-Lock dealers, upon presentation of the key card – in accordance with Mul-T-Lock's official key cutting procedures.



www.mul-t-lock.com



©2012 Mul-T-Lock Technologies Ltd. The Mul-T-Lock name and the muscleman logo, and any other name, mark or logo used by Mul-T-Lock and marked by © or ™ sign, are registered/pending trademarks of Mul-T-Lock Ltd. in various countries. Mul-T-Lock reserves the right to make any product improvements or modifications without prior notice.

Keying Possibilities

Mul-T-Lock offers its costumers a variety of convenient and secure keying solutions to meet their specific needs:

- ▶ **Keyed different:** Mul-T-Lock's traditional High Security equips each cylinder with its own distinct combination.
- ▶ **Keyed alike:** for exceptional customer convenience, Mul-T-Lock has developed the One-Key-Fits-All option, enabling users to open many locks - for example: home, office, garage & file cabinet - with a single key.
- ▶ **Master keying:** large organizations enjoy Mul-T-Lock's advanced and friendly master key systems, that are easy to manage even when the requirements are vast and complex.



www.mul-t-lock.com

Master Keying

The power of being your own master

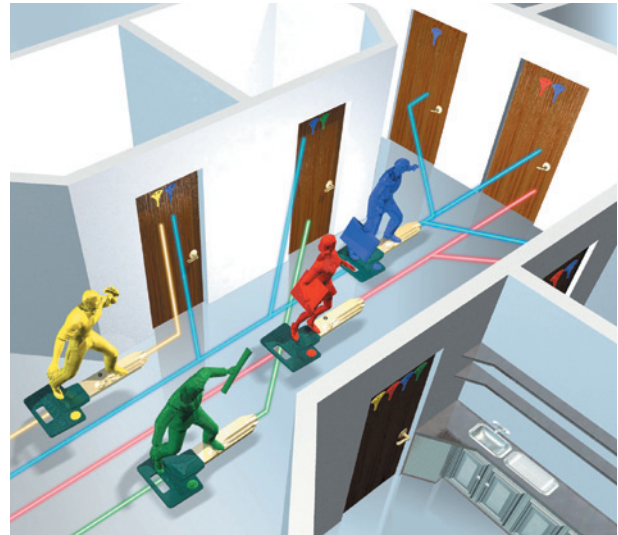
Mul-T-Lock is a world leader in the design and manufacture of master key systems for many needs and purposes. Mul-T-Lock's master key systems offer several major benefits for end-users:

- ▶ Overloaded key rings are replaced by a single master key.
- ▶ The main master key enables system managers to open every door in the system - while other users are provided with keys that only open specific doors.
- ▶ A wide range of Mul-T-Lock products – such as cylinders for the user's home, office and vehicle - may be incorporated into a single master key system, controlled by one key.

Mul-T-Lock's master keying products are also exceptionally locksmith-friendly and are supplied with pinning kits, tools and computerized programs.

Special training is available for dealers who wish to design and build master key systems for their own customers.

There is always a trade-off between security and convenience.

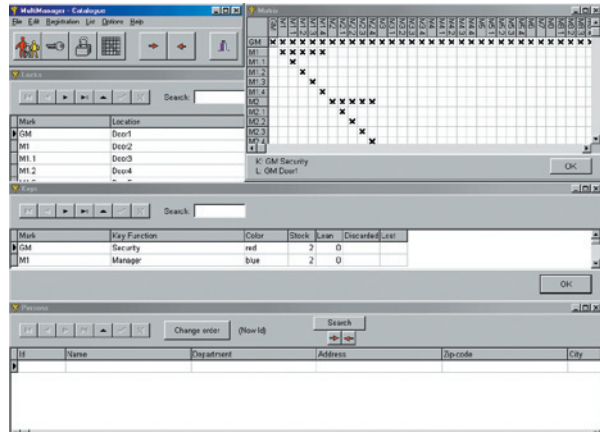
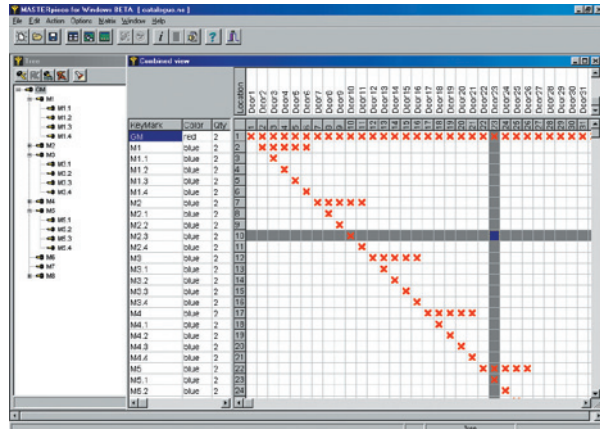


Master Keying Software

Mul-T-Lock's master keying offering includes two friendly software programs:

MASTERpiece: An advanced solution for the master key system designer. Automatically presenting all required information on the computer screen, and supporting both hierarchal and matrix design methods, MASTERpiece enables a fast, easy and efficient designing process.

Multimanager: The smart key management software program. Specially created for security officers who manage complex master key systems, this friendly program records all information about keys distributed to users.

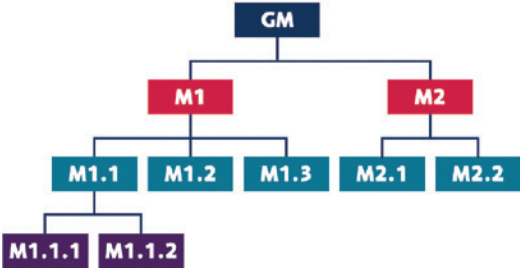


Master Keying Design Methods

Mul-T-Lock’s master key systems may be based on two alternative design methods:

The hierarchal design: Incorporating several levels of access authorization, with higher levels authorized to open lower level entrances. Ordinarily hierarchal systems include Grand Master (GM) keys, which can open every cylinder in the system, all the way down to keys that unlock a single cylinder.

Illustration: In this example, the GM (Grand Master) key opens all cylinders, M1 & M2 are 2 different master keys accessing the doors of 2 separate departments, and each of the bottom level keys, such as M1.1.1 and M2.2, fits just one cylinder.



The Matrix design: Based on a matrix chart, in which each column represents a cylinder on the premises, and each row represents a key holder. This method enables the designer to define precise access authorization for each key.

Illustration: In this example, key K1 opens all 4 cylinders, K2 can only open C2, and C2 is a central cylinder, which can be opened by all 4 keys.

 Key	C1	C2	C3	C4
K1	X	X	X	X
K2		X		
K3		X	X	
K4		X		X

Key Options

Range of key heads

Mul-T-Lock offers a range of top quality key blanks for its various cylinder platforms. Keys are made of high-grade metals, for long-lasting durability.

Key may include the following features:

- ▶ Reversible nickel silver design
- ▶ Colored insert for easy identification
- ▶ Option for personalized message embossed on metal or plastic key heads
- ▶ Option for plastic key heads with personalized inserts
- ▶ Key duplication card



Interactive+ – with plastic key head



Interactive+ – all nickel silver



Interactive® CLIQ®



Interactive® – with plastic key head



Interactive® – all nickel silver



MT5+



Integrator®



Classic – all nickel silver



MT5®



Classic – with plastic key head



7X7®



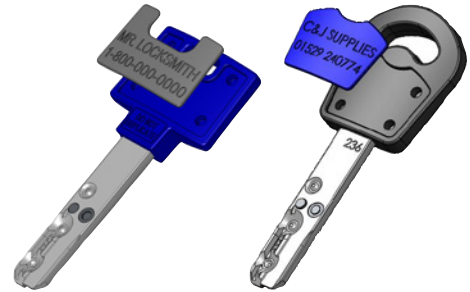
www.mul-t-lock.com

Key Options

Personalized key heads

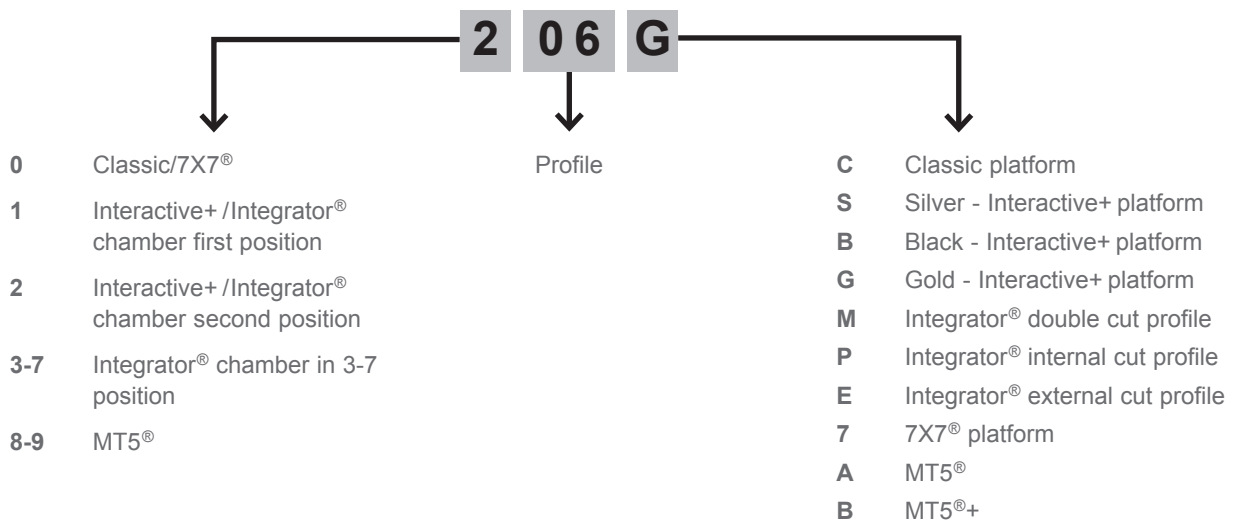
Mul-T-Lock offers costumers (locksmiths, OEMs etc.) three ways to personalize Mul-T-Lock's key blanks, thereby advertising their business on the keys they sell:

- ▶ A new cost-effective concept - personal info (name, logo, phone, etc.) embossed on plastic inserts, available in two different shapes that fit into special insert-compatible plastic key heads
- ▶ Personal info embossed on plastic key heads
- ▶ Personal info embossed on key heads of metal key blanks



Ordering key blanks

To order the key blanks of your choice, you must send in the appropriate key blank identification code, consisting of 4 digits/characters: 206S, 006C, 005C, etc.



To order your personalized inserts or key blanks with personalized key heads (plastic or metal), please email the info to be advertised on the key head to Mul-T-Lock Headquarters.

The personalized key head will be designed, and once you have approved the graphics and placed your order, the personalized key blanks / inserts will be produced and delivered.

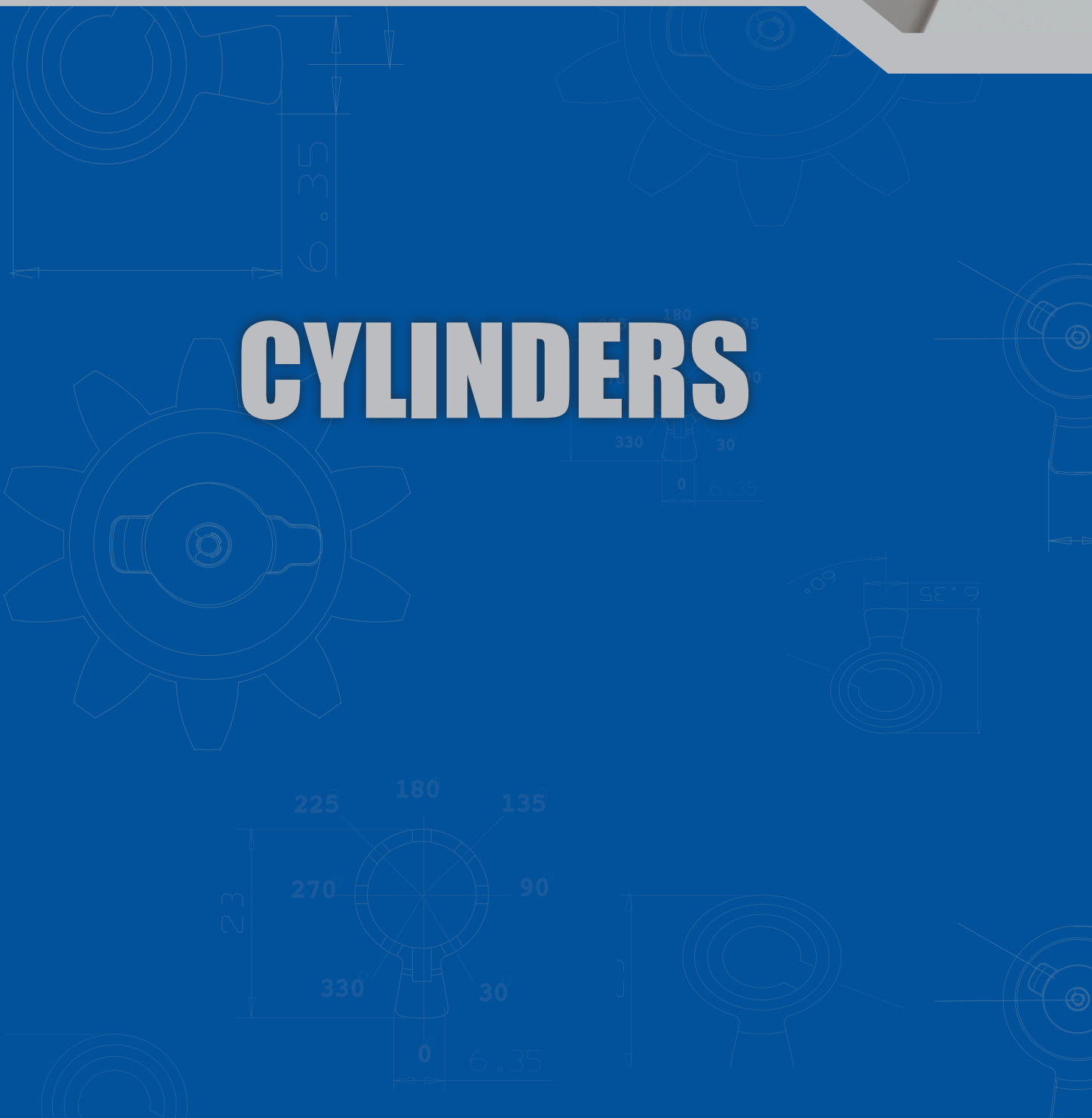
Please note:

Minimum quantity per order is:

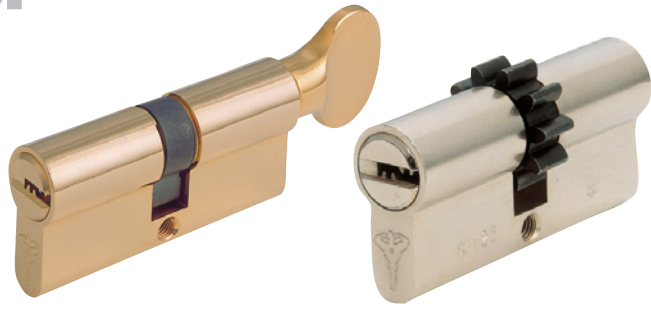
- ▶ Plastic inserts – 3,000 units
- ▶ Key blanks with personalized plastic key heads – 2,500 units
- ▶ Personalized all-metal keys blanks - 1,000 units



CYLINDERS



Euro Profile Cylinder



Application

Compatible with locks and lock cases using Euro profile cylinder.

Operation

360° rotation by operating key or thumbturn. Standard double cylinder, full key insertion disengages other side.

Materials

Body and plug: high quality brass
Cam and cogwheel: steel
Pins: nickel silver and stainless steel

Standard finishes

Nickel satin, brass, shiny brass

Special finishes

Nickel chrome, antique brass

Cylinder mechanism

Mul-T-Lock's unique, high precision pin tumbler system.

Keys

Reversible nickel silver key with plastic key head and colored insert. Also available in all nickel silver.

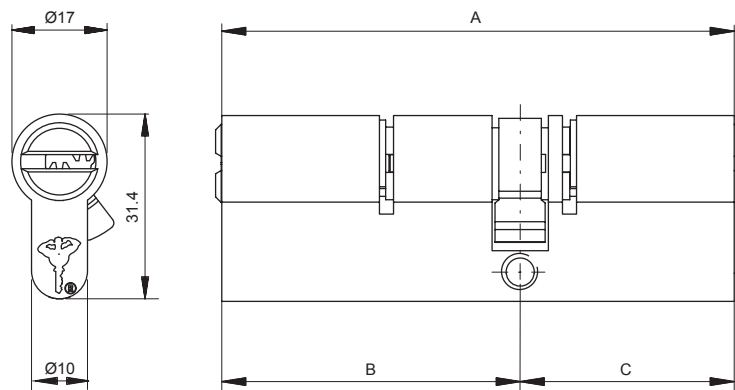
Cylinder options

- Classic, Interactive+, MT5® platforms
- '3 IN 1' (changeable combination)
- Keyed different, keyed alike
- Master keyed
- Variety of thumbturns, cams and cogwheels
- Emergency cylinder with both sides permanently operational

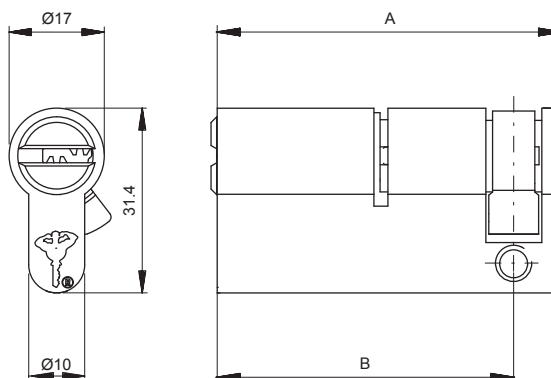
Standards

ISI 950, EN1303

Double cylinder



Single cylinder



Euro Profile Cylinder

Lengths Available (mm)

Double cylinder

A	B	C
62	31	31
66	31	35
66	33	33
70	35	35
71	31	40
71	33	38
75	40	35
76	31	45
76	33	43
76	38	38
78	33	45
80	40	40
80	45	35
81	31	50
81	33	48
81	38	43
82	47.5	34.5
83	35	48
83	45	38
85	45	40
85	50	35
86	31	55
86	33	53
86	38	48
86	43	43
88	40	48
88	50	38
90	45	45
90	50	40
90	55	35
91	31	60
91	33	58

A	B	C
91	38	53
91	43	48
93	40	53
93	48	45
95	50	45
95	55	40
95	60	35
96	31	65
96	33	63
96	38	58
96	43	53
96	48	48
100	50	50
100	55	45
100	60	40
100	65	35
101	31	70
101	38	63
101	43	58
101	48	53
101	68	33
105	55	50
105	60	45
105	65	40
105	70	35
106	53	53
110	55	55
110	60	50
110	65	45
110	70	40
110	75	35
111	48	63

A	B	C
115	60	55
115	65	50
115	70	45
115	75	40
115	80	35
116	33	83
118	33	85
120	60	60
120	65	55
120	70	50
120	75	45
120	80	40
125	50	75
125	65	60
125	70	55
125	80	45
130	50	80
130	55	75
130	65	65
130	70	60
130	95	35
135	55	80
135	60	75
135	65	70
135	100	35
136	68	68
140	40	100
140	60	80
140	65	75
140	70	70

Single cylinder

A	B
40.5	31
42.5	33
44.5	35
47.5	38
49.5	40
52.5	43
54.5	45
57.5	48
59.5	50
64.5	55
69.5	60
74.5	65
79.5	70
84.5	75
89.5	80
99.5	90
134.5	125

Note: For lengths from 40 mm up use standard plugs and additional spacers in order to get the required length. Other lengths are available by special order.

Not all lengths are available in all platforms.

U.K. Oval Profile Cylinder



Application

Compatible with lock and lock cases using UK oval profile cylinder.

Operation

360° rotation by operating key or thumbturn. Standard double cylinder, full key insertion disengages other side.

Materials

Body and plug: high quality brass
Cam and cogwheel: steel
Pins: nickel silver and stainless steel

Standard finishes

Nickel satin, brass

Cylinder mechanism

Mul-T-Lock's unique, high precision pin tumbler system.

Keys

Reversible nickel silver key with plastic key head and colored insert. Also available in all nickel silver.

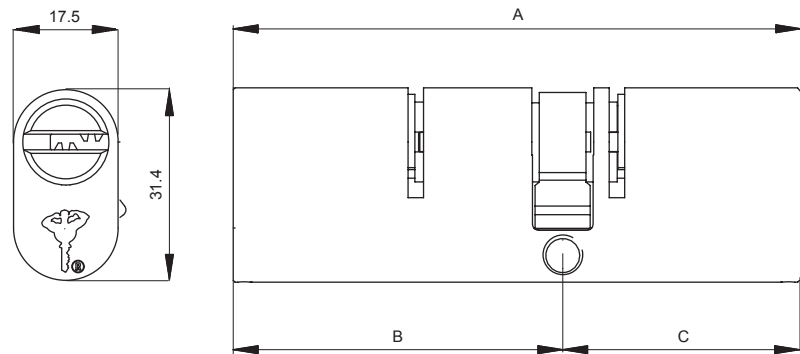
Cylinder options

- Classic, Interactive+, MT5® platforms
- '3 IN 1' (changeable combination)
- Keyed different, keyed alike
- Master keyed
- Variety of thumbturns, cams and cogwheels
- Emergency cylinder with both sides permanently operational

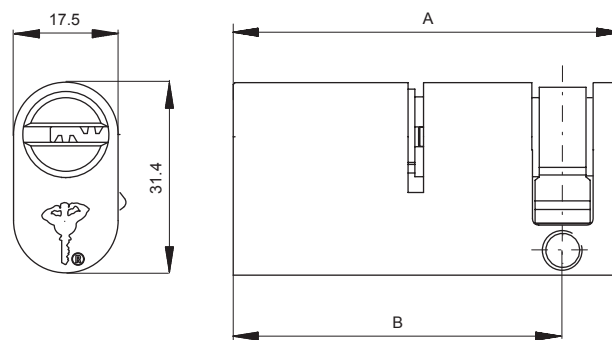
Standards

Applicable to CEN

Double cylinder



Single cylinder



U.K. Oval Profile Cylinder

Lengths Available (mm)

Double cylinder

A	B	C
62	31	31
66	33	33
70	35	35
71	33	38
75	35	40
76	33	43
80	35	45
80	40	40
85	35	45
85	40	40
90	35	55
90	40	50
90	45	45
95	35	60
95	40	55

A	B	C
95	45	50
100	35	65
100	40	60
100	45	55
100	50	50
105	35	70
105	40	65
105	45	60
105	50	55
110	40	70
110	45	65
110	50	60
115	45	70
115	50	65
120	50	70

Single cylinder

A	B
42.5	33
44.5	35
49.5	40
54.5	45
59.5	50
64.5	55
69.5	60
74.5	65
79.5	70

NOTE: For lengths from 40 mm up use standard plugs and additional spacers in order to get the required length. Other lengths are available by special order.

Not all lengths are available in all platforms.

Swiss Profile Cylinder



Application

Compatible with locks and lock cases using Swiss profile cylinder.

Operation

360° rotation by operating key or thumbturn. Standard double cylinder, full key insertion disengages other side.

Materials

Body and plug: high quality brass
Cam and cogwheel: steel
Pins: nickel silver and stainless steel

Standard finishes

Nickel satin, brass

Cylinder mechanism

Mul-T-Lock's unique, high precision pin tumbler system.

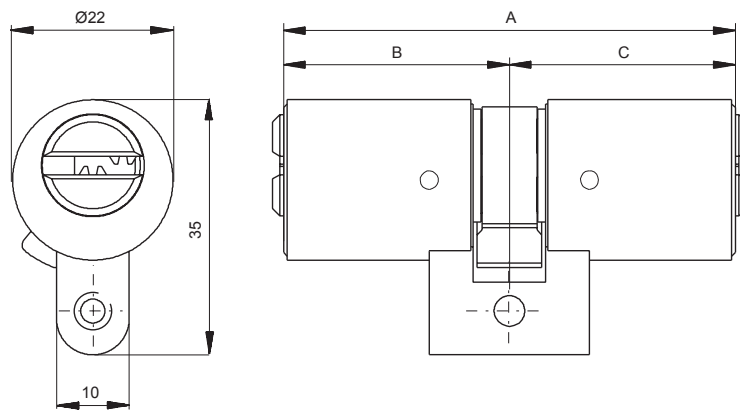
Keys

Reversible nickel silver key with plastic key head and colored insert. Also available in all nickel silver.

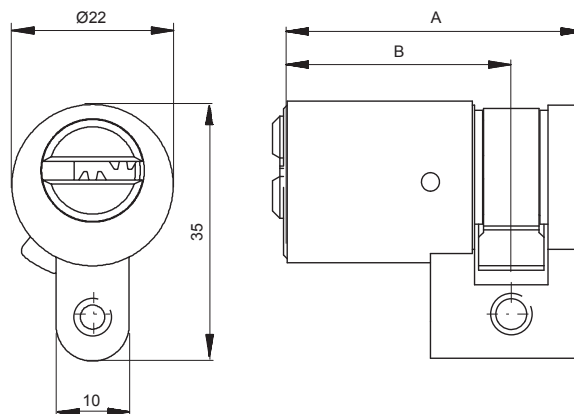
Cylinder options

- Classic, Interactive+, MT5® platforms
- '3 IN 1' (changeable combination)
- Keyed different, keyed alike
- Master keyed
- Variety of thumbturns, cams and cogwheels
- Emergency cylinder with both sides permanently operational

Double cylinder



Single cylinder



Swiss Profile Cylinder

Lengths Available (mm)

Double cylinder

A	B	C	Chambers
62	31	31	5
66	31	35	5
66	33	33	5
70	35	35	5
71	31	40	5
71	38	33	5
75	40	35	5
76	31	45	5
76	38	38	5
80	40	40	5
80	45	35	5
81	31	50	5
85	45	40	5
86	31	55	5
86	43	43	5
90	55	35	5
91	31	60	5
95	55	35	5
95	55	40	5
96	31	65	5
105	65	40	5
145	75	70	5

Single cylinder

A	B	Chambers
42.5	33	5
44.5	35	5
47.5	38	5
49.5	40	5
54.5	45	5

NOTE: Other lengths are available by special order.
Not all lengths are available in all platforms.

Mortise Cylinder



Application

Compatible with residential and commercial door locksets. Interfaces with locksets of major brands (see available cams).

Can retrofit a 'Jumbo' cylinder with an adaptor ring.

Operation

360° rotation by operating key or thumbturn.

Materials

Body and plug: high quality brass

Cam: steel

Pins: nickel silver and stainless steel

Standard finish

Nickel chrome matt, nickel chrome, shiny brass

Special finishes

Antique bronze, black, antique brass, PVD

Cylinder mechanism

Mul-T-Lock's unique, high precision pin tumbler system.

Keys

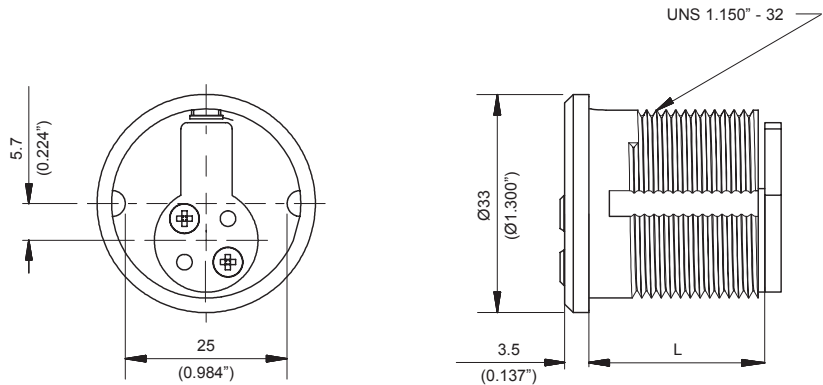
Reversible nickel silver key with plastic key head and colored insert. Also available in all nickel silver.

Cylinder options

- Classic, Interactive+, MT5® platforms
- '3 IN 1' (changeable combination)
- Keyed different, keyed alike
- Master keyed
- Variety of cams

Standards

ISI950

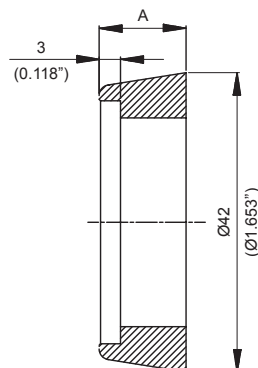


Length available (mm)

Cylinder	L	
	mm	Inch
1"(*)	23.1	0.909
1 1/8"	27.1	1.067
1 1/4"	30.3	1.193
1 3/8"	33.5	1.318
1 1/2"	36.7	1.445
1 3/4"	43.1	1.697
2"	49.5	1.949

(*) Product with 4 chambers, not UL Listed.

Spacer ring



A	
mm	Inch
5.7*	0.224*
8.9	0.350
12.2	0.480
15.5	0.610

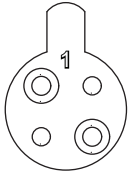
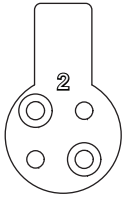
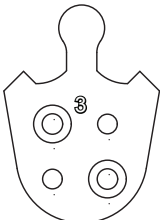
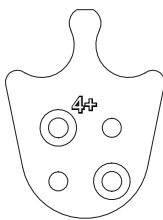
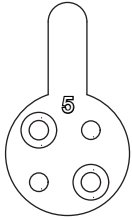
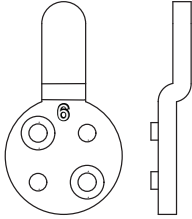
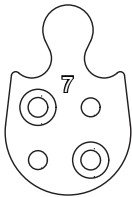
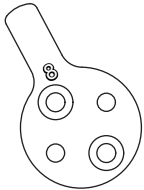
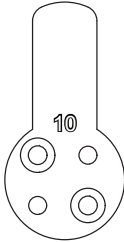

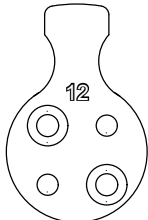
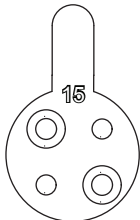
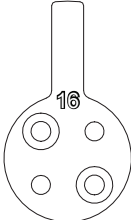
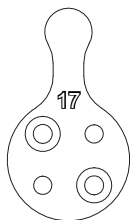
*Supplied as standard



www.mul-t-lock.com

Mortise Cylinder Cams

Options Available

<p>Adams Rite type P/N 8500020</p> 	<p>Yale standard type P/N 8500014</p> 	<p>Russwin type P/N 8500019</p> 	<p>Falcon type P/N 8500041</p> 	<p>Lockwood type P/N 8500054</p> 
<p>Segal type P/N 86001008</p> 	<p>Schlage type P/N 8500057</p> 	<p>Sargent offset type P/N 8500082</p> 	<p>Jumbo type P/N 85000112 (Required ring 85000157)</p> 	<p>Baldwin type P/N 85000117</p> 
<p>Yale type P/N 85000165</p> 	<p>Vingcard type P/N 51075696</p> 	<p>Yale type A-04 P/N 85000185</p> 	<p>Yale type 2160 P/N 85000186</p> 	

Rim Cylinder



Application

Compatible with residential and commercial surface mounted door locksets. Interfaces with locksets of major brands. Suits wide range of lock mechanisms.

Operation

360° rotation by operating key.

Materials

Body and plug: high quality brass
Tail: steel
Pins: nickel silver and stainless steel

Standard finish

Nickel chrome matt, nickel chrome, shiny brass

Special finishes

Antique bronze, black, antique brass, PVD

Cylinder mechanism

Mul-T-Lock's unique, high precision pin tumbler system.

Keys

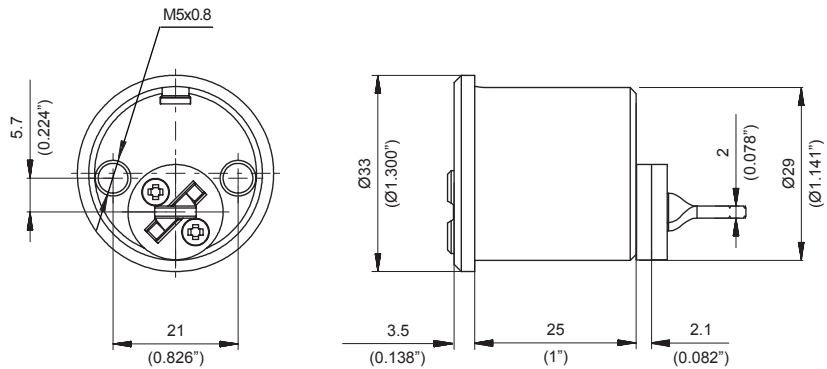
Reversible nickel silver key with plastic key head and colored insert. Also available in all nickel silver.

Cylinder options

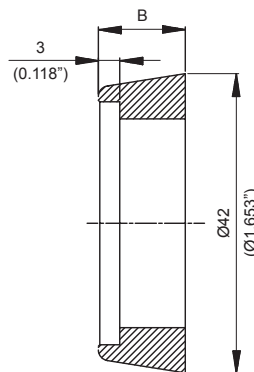
- Classic, Interactive+, MT5® platforms
- '3 IN 1' (changeable combination)
- Keyed different, keyed alike
- Master keyed
- Variety of tails

Standards

ISI950



Spacer ring



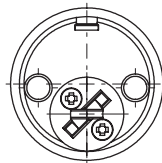
B	
mm	Inch
Flat ring**	
5.7*	0.224*
8.9	0.350
12.2	0.480
15.5	0.610

*Supplied as standard

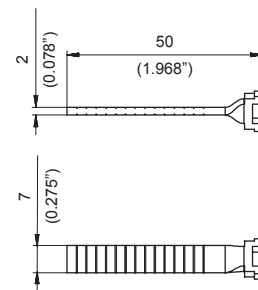
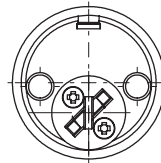
**For rim application

Tail options

Horizontal tail
P/N 8600005

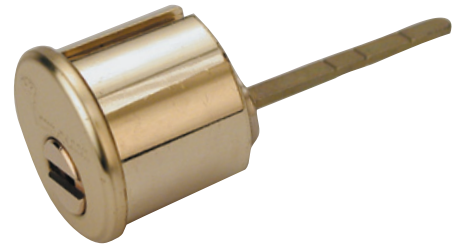


Vertical tail
P/N 8600014



www.mul-t-lock.com

Rim Ø35 Cylinder



Application

Compatible with residential and commercial deadbolt locksets which require a lazy tail on round cylinder.

Operation

360° rotation by operating key.

Materials

Body and plug: high quality brass

Tail: steel

Pins: nickel silver and stainless steel

Standard finish

Nickel chrome matt, nickel chrome, shiny brass

Special finishes

Antique bronze, black, antique brass, PVD

Cylinder mechanism

Mul-T-Lock's unique, high precision pin tumbler system.

Keys

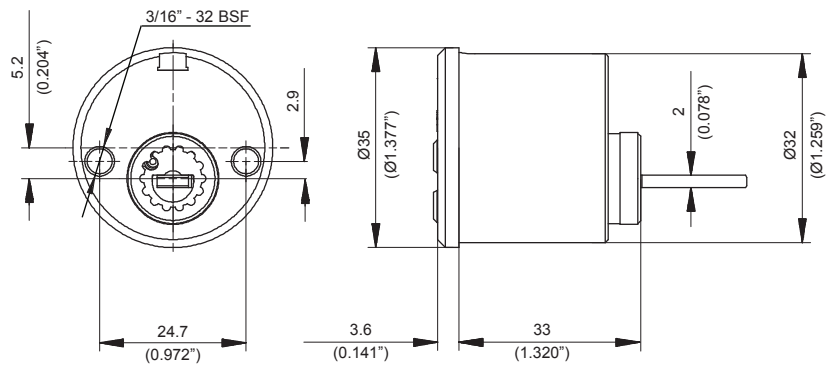
Reversible nickel silver key with plastic key head and colored insert. Also available in all nickel silver.

Cylinder options

- Classic, Interactive+, MT5® platforms
- '3 IN 1' (changeable combination)
- Keyed different, keyed alike
- Master keyed

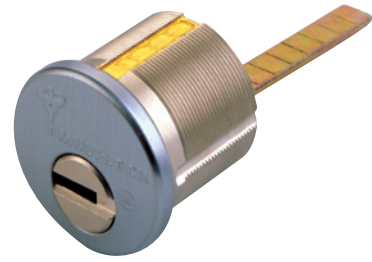
Standards

ISI950



Rimo Cylinder

Combined Rim & Mortise



Application

Dual purpose cylinder, combination of rim and mortise cylinders in one. Compatible with residential and commercial door locksets.

Operation

360° rotation by operating key.

Materials

Body and plug: high quality brass
Cam: steel
Pins: nickel silver and stainless steel

Standard finish

Nickel chrome matt, nickel chrome, shiny brass

Special finishes

Antique bronze, black, antique brass, PVD

Cylinder mechanism

Mul-T-Lock's unique, high precision pin tumbler system.

Keys

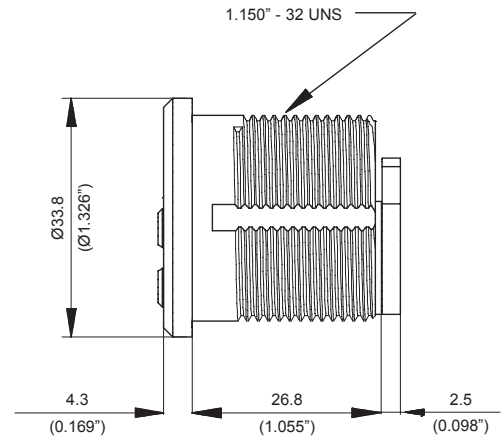
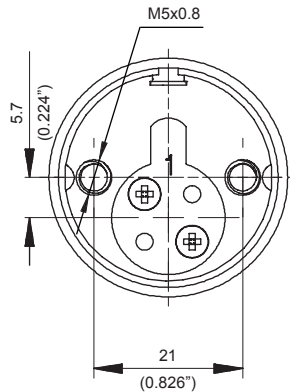
Reversible nickel silver key with plastic key head and colored insert. Also available in all nickel silver.

Cylinder options

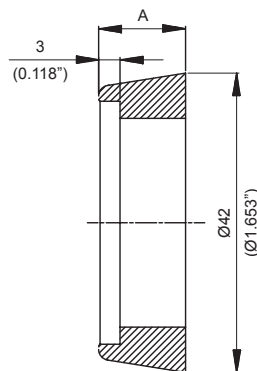
- Classic, Interactive+, MT5® platforms
- '3 IN 1' (changeable combination)
- Keyed different, keyed alike
- Master keyed

Standards

ISI950



Spacer ring



A	
mm	Inch
Flat ring**	
5.7*	0.224
8.9	0.350
12.2	0.480
15.5	0.610

*Supplied as standard

**For rim application



www.mul-t-lock.com

Reinforced Rim Cylinder

Ø29 mm (centered plug)



Application

Compatible with residential and commercial surface mounted door locksets. Central plug cylinder with four screws connecting the cylinder to the door.

Operation

360° rotation by operating key.

Materials

Body and plug: high quality brass
Tail: steel.

Pins: nickel silver and stainless steel

Standard finish

Nickel chrome matt, shiny brass

Special finishes

Nickel chrome

Cylinder mechanism

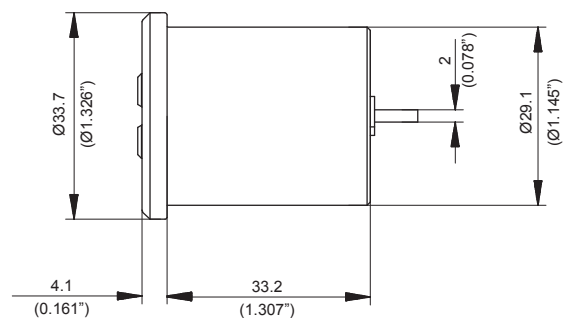
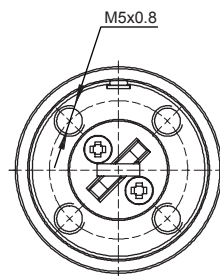
Mul-T-Lock's unique, high precision pin tumbler system.

Keys

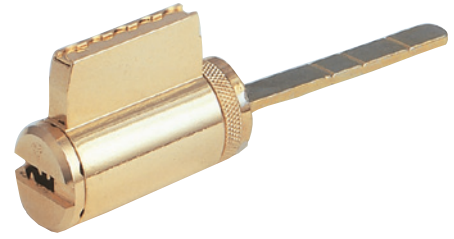
Reversible nickel silver key with plastic key head and colored insert.
Also available in all nickel silver.

Cylinder options

- Classic, Interactive+ platforms
- '3 IN 1' (changeable combination)
- Keyed different, keyed alike
- Master keyed



Key In Knob (K.I.K.) Cylinder



Application

These cylinders are used in cylindrical locksets, deadbolts and padlocks. Mul-T-Lock provides an extensive range to fit a wide variety of popular brands.

Operation

Rotation by operating key.

Materials

Body and plug: high quality brass
Tail pieces: steel
Pins: nickel silver and stainless steel

Standard finish

Nickel chrome matt, shiny brass

Special finishes

Nickel chrome, antique Bronze, antique brass

Cylinder mechanism

Mul-T-Lock's unique, high precision pin tumbler system.

Keys

Reversible nickel silver key with plastic key head and colored insert. Also available in all nickel silver.

Cylinder options

- Classic, Interactive+ platforms
- '3 IN 1' (changeable combination)
- Keyed different, keyed alike
- Master keyed

How to use the K.I.K. Reference Guide:

K - K.I.K. type

T - Tail type

Kxxx-Txx

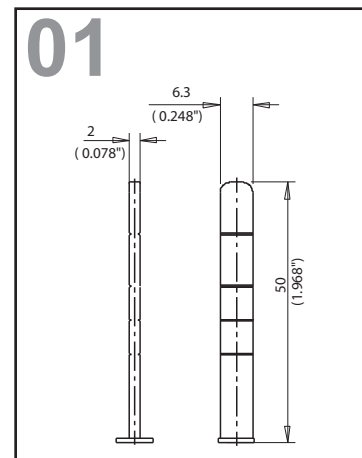
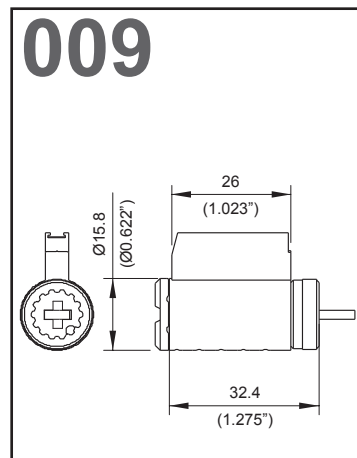
K - 3 digits, see Tables on next pages.

T - 2 digits, see Tables on next pages

T - without digits, this cylinder comes with its own tail, or does not have a tail

Example:

Description/Application	K.I.K. type
"ARROW" type knobs/levers	
"M", "H", "Q" and "S" series knobs and levers	K009-T01



85800010 - Fixed tail location disk



85800009 - Lazy tail location disk



www.mul-t-lock.com

Key In Knob (K.I.K.) Cylinder

Brands Reference Guide

Description / Application		K.I.K type
“ARROW” type knobs / levers		
1	M and “COMET” series knob	K002-T
2	M, H, Q, and S series knobs and levers	K009-T01
3	K and J series interconnected double lock series (non I.C.)	K002-T
4	“ARROW” type double cylinder deadbolt	K009-T06
5	“ARROW” type single cylinder deadbolt	K002-T08
“BALDWIN” type		
6	“BALDWIN” type “LEVERSET”-“The Images Collection”	K011
7	“BALDWIN” type “KNOBSET”-“The Images Collection”	K012
“CORBIN” / “RUSSWIN” type knobs / levers		
8	CK4200, CK4400 (grade 1 knobs)	K004-T
9	CL3300, CL3600, CL3700, CL3900 (grade 2 lever)	K009-T01
10	CK4700 (grade 2 knob)	K009T01
11	UT5200 unit lock (no tail required)	K004-T
12	ED8000 panic device knob	K004-T
13	ED8000 panic device lever	K009-T
14	“RUSSWIN” type new style	K004-T01
“E-Z set” type		
15	AC 8\7\5805	K003-T09
“FALCON” type knobs / levers		
16	“FALCON” type X and F series	K007-T03
17	“FALCON” type S series	K009-T01
“LOCKWOOD” type knobs / levers		
18	All knobs except 530 series	K009-T01
19	“LOCKWOOD” Australian type	K015
“LSDA” type knobs / levers		
20	All knobs and levers series	K009-T01
“OLYMPUS” type drawer and door locks		
21	700, 800, 850 SC and LC series locks	K009-T08
“MARKS” type		
22	“MARKS” type knob / lever except classroom function	K002-T05
23	“MARKS” type knob / lever classroom function	K002-T05

Key In Knob (K.I.K) Cylinder

Brands Reference Guide

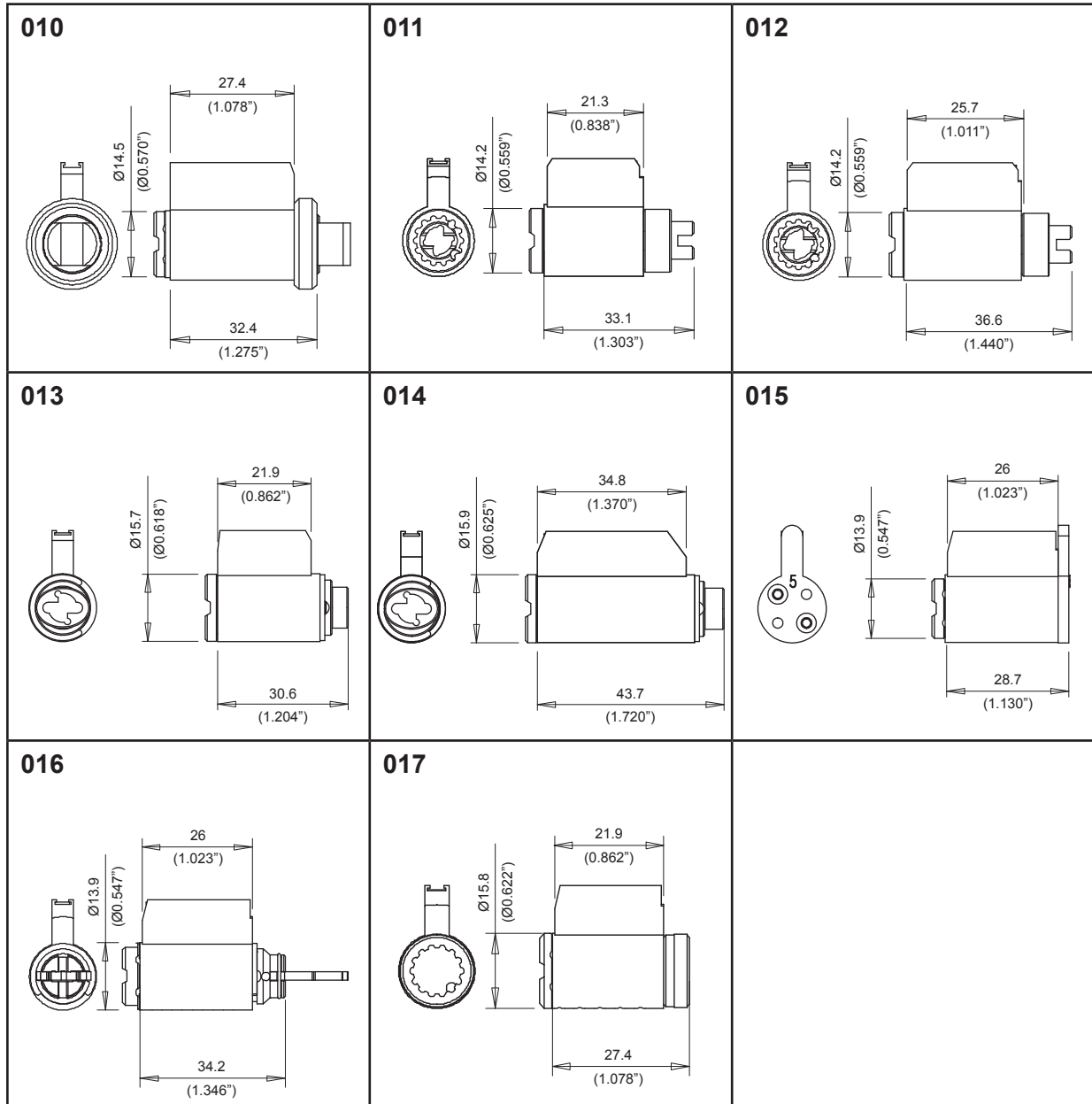
Description / Application		K.I.K type
“PDQ” type		
24	SX series grade 1 locks	K009-T01
“S. PARKER” type		
25	All grade 1 and grade 2 locksets	K002-T
“SIMPLEX” / “UNICAN” type		
26	1000 series with “SCHLAGE” I.C. override	
“SARGENT” type		
27	7, 8, 9 line knob locks	K005-T
28	7L, 8L, 9L, 10L line lever locks	K016-T
29	6, 6L line knob and lever locks	K002-T
“SCHLAGE” type		
30	A, B, D series knob and lever locks	K009-T01
31	FE575 type electronic lock	K017-T01
32	S series knob and lever locks (*use original tail and fixed tail location disk P/N 85800010)	K009-T*
33	E/B handle set with key in knob style cylinders (requires two cylinders)	K009-T08
34	H series interconnected locksets	K009-T01
35	SCHLAGE type double cylinder deadbolt - B162, B462, B562	K009-T10
36	SCHLAGE type F Plymouth knob	K014-T
37	SCHLAGE type F Orbit knob	K013-T
“UNION” type		
38	RONDO/LIRO	K010
39	1332/1334	K001
“WEISER” type		
40	Weiser 9400 series	K008-T02
“YALE” type		
41	“GULY” type & similar deadbolts	K007-T12
42	5300LN and 5400LN series. AU, MO and PB levers (except hotel function)	K006-T07
43	6400LN monolock retrofit series	K006-T07
44	4200, 5300 series knob and locks except CA design (*no tail)	K006-T
45	4300, 4300LN series levers (cut tail to fit)	K006-T07
46	540F panic bar trim	K006-T07



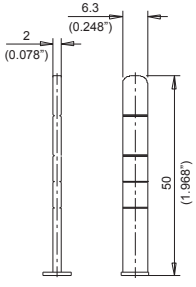
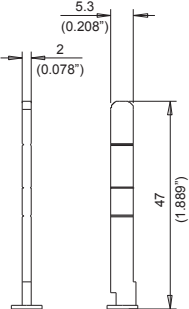
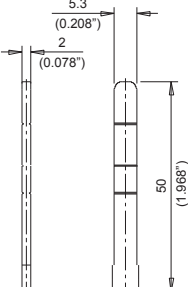
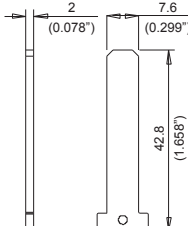
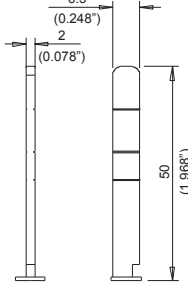
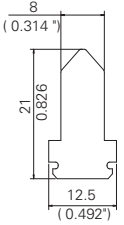
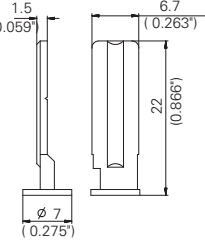
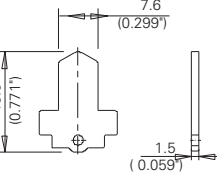
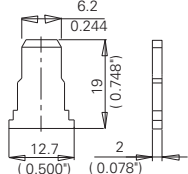
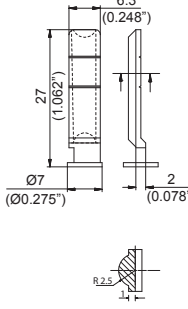
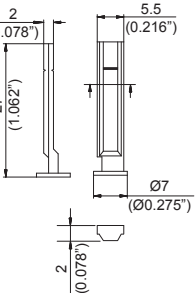
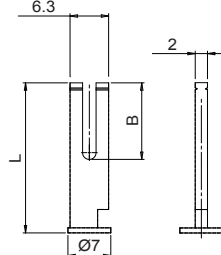
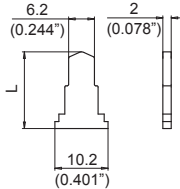
Key In Knob (K.I.K.) Cylinder Bodies & Plugs

<p>001</p>	<p>002</p>	<p>003</p>
<p>004</p>	<p>005</p>	<p>006</p>
<p>007</p>	<p>008</p>	<p>009</p>

Key In Knob (K.I.K.) Cylinder Bodies & Plugs



Key In Knob (K.I.K.) Cylinder Tails

<p>01 P/N 85800011</p> 	<p>02 P/N 88100003</p> 	<p>03 P/N 88100013</p> 	<p>04 P/N 85806003</p> 	<p>05 P/N 85800012</p> 																						
<p>06 P/N 85800230</p> 	<p>07 P/N 85800062</p> 	<p>08 P/N 85804003</p> 	<p>09 P/N 85802014</p> 	<p>10 P/N 85800015</p> 																						
<p>11 P/N 85800066</p> 	<p>12 L1 P/N 85800245 L2 P/N 85800246</p>  <table border="1" data-bbox="687 1592 906 1704"> <thead> <tr> <th></th> <th>mm</th> <th>B</th> </tr> </thead> <tbody> <tr> <td>L1</td> <td>24.5</td> <td>12.5</td> </tr> <tr> <td>L2</td> <td>16</td> <td>7.5</td> </tr> </tbody> </table>			mm	B	L1	24.5	12.5	L2	16	7.5	<p>13 L1 P/N 85800100 L2 P/N 85800105 *L3 P/N 85800231</p>  <table border="1" data-bbox="1174 1547 1394 1697"> <thead> <tr> <th></th> <th>mm</th> <th>Inch</th> </tr> </thead> <tbody> <tr> <td>L1</td> <td>18.5</td> <td>0.728</td> </tr> <tr> <td>L2</td> <td>25.4</td> <td>1</td> </tr> <tr> <td>L3*</td> <td>50.5</td> <td>1.988</td> </tr> </tbody> </table> <p>*Special order</p>				mm	Inch	L1	18.5	0.728	L2	25.4	1	L3*	50.5	1.988
	mm	B																								
L1	24.5	12.5																								
L2	16	7.5																								
	mm	Inch																								
L1	18.5	0.728																								
L2	25.4	1																								
L3*	50.5	1.988																								

Norwegian Oval Cylinder



Application

Compatible with "Norwegian" profile type, mortise lock cases.

Operation

360° rotation by operating key.

Materials

Body and plug: high quality brass

Tail: steel

Pins: nickel silver and stainless steel

Standard finishes

Nickel satin, brass

Cylinder mechanism

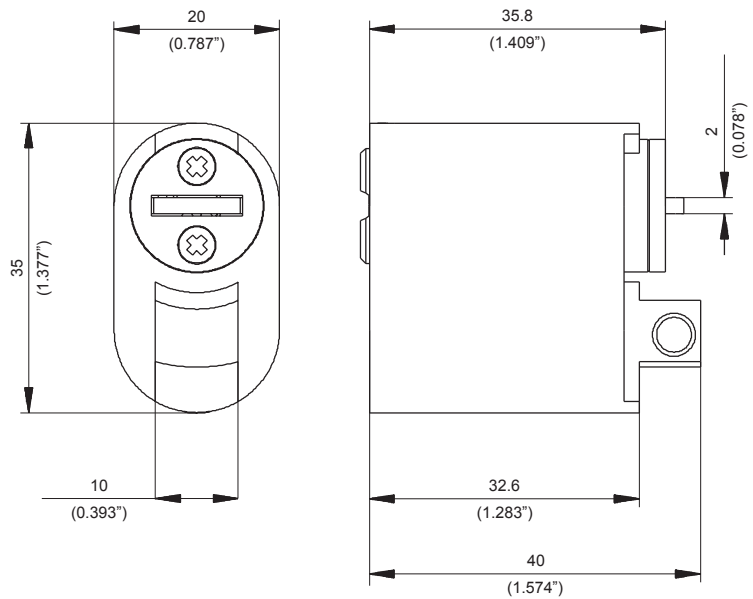
Mul-T-Lock's unique, high precision pin tumbler system.

Keys

Reversible nickel silver key with plastic key head and colored insert. Also available in all nickel silver.

Cylinder options

- Classic, Interactive+ platforms
- '3 IN 1' (changeable combination)
- Keyed different, keyed alike
- Master keyed



Round Cylinder for "Ruko" Type Locks



Application

Compatible with "Ruko" type cabinet lock cases.

Operation

360° rotation by operating key.

Materials

Body and plug: high quality brass
Cam: steel
Pins: nickel silver and stainless steel

Standard finish

Nickel satin

Cylinder mechanism

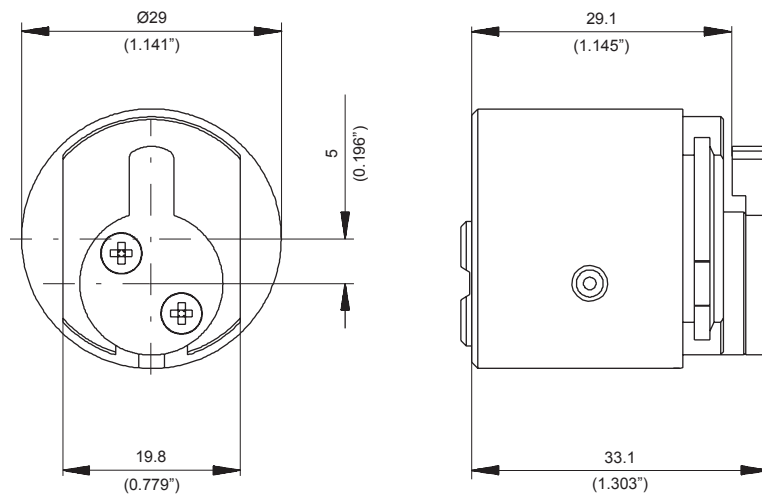
Mul-T-Lock's unique, high precision pin tumbler system.

Keys

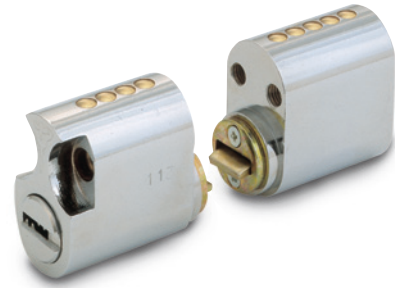
Reversible nickel silver key with plastic key head and colored insert.
Also available in all nickel silver.

Cylinder options

- Classic, Interactive+ platforms
- '3 IN 1' (changeable combination)
- Keyed different, keyed alike
- Master keyed



Scandinavian Oval Cylinder For "ASSA" Type Locks



Application

Compatible with "ASSA" type lock cases.

Operation

360° rotation by operating key.

Materials

Body and plug: high quality brass
Cam: steel
Pins: nickel silver and stainless steel

Standard finishes

Nickel satin, brass

Cylinder mechanism

Mul-T-Lock's unique, high precision pin tumbler system.

Note: internal cylinder with 4 chambers.

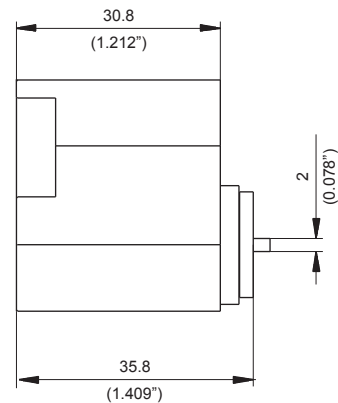
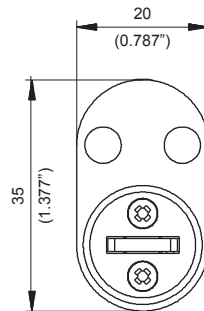
Keys

Reversible nickel silver key with plastic key head and colored insert.
Also available in all nickel silver.

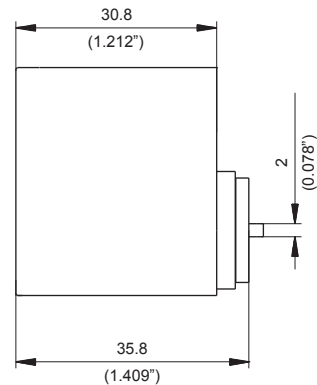
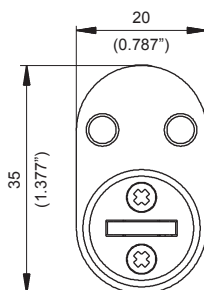
Cylinder options

- Classic, Interactive+, MT5® platforms
- '3 IN 1' (changeable combination)
- Keyed different, keyed alike
- Master keyed

Internal cylinder



External cylinder



Available as a pair of cylinders – internal and external, or external cylinder only.



Scandinavian Round Cylinder For "ASSA" Type Locks



Application

Compatible with round "ASSA" type 7000 lock cases.

Operation

360° rotation by operating key.

Materials

Body and plug: high quality brass
Tail: steel
Pins: nickel silver and stainless steel

Standard finishes

Nickel satin, brass

Cylinder mechanism

Mul-T-Lock's unique, high precision pin tumbler system.

Keys

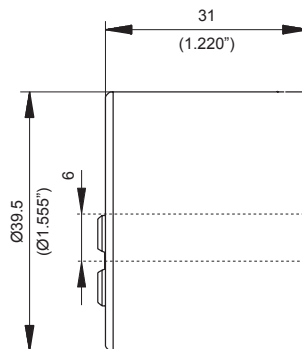
Reversible nickel silver key with plastic key head and colored insert. Also available in all nickel silver.

Cylinder options

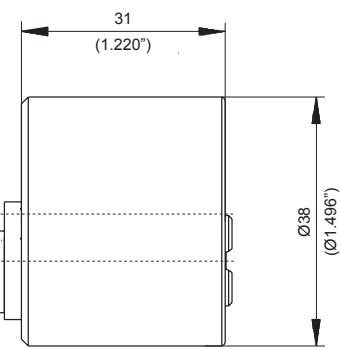
- Classic, Interactive+, MT5® platforms
- '3 IN 1' (changeable combination)
- Keyed different, keyed alike
- Master keyed

Note: also available with threaded body

Internal cylinder

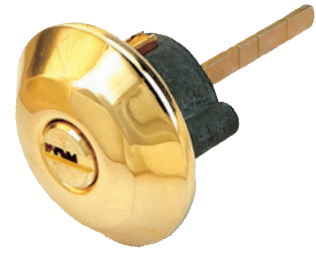


External cylinder



Available as a pair of internal and external cylinders, or external cylinder only.

Cylinder for “Ingersoll” Type Locks



Application

Compatible with “Ingersoll” type night latch (SC 72, SC73).

Operation

360° rotation by operating key.

Materials

Body and plug: high quality brass

Tail: steel

Pins: nickel silver and stainless steel

Standard finishes

Shiny brass, nickel chrome

Cylinder mechanism

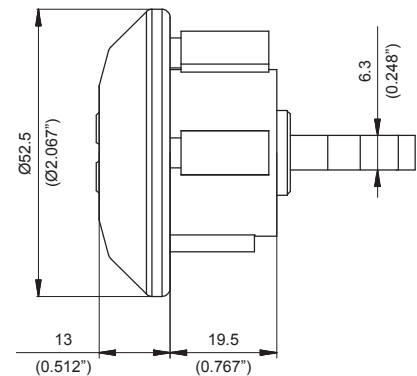
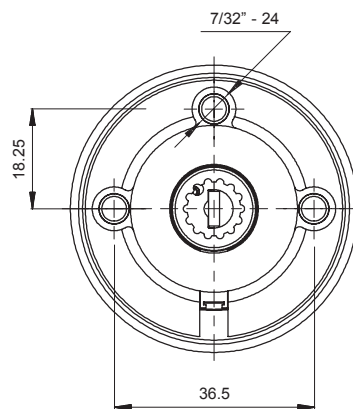
Mul-T-Lock’s unique, high precision pin tumbler system.

Keys

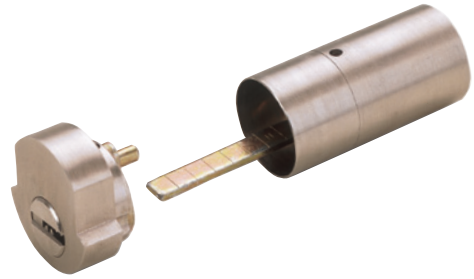
Reversible nickel silver key with plastic key head and colored insert. Also available in all nickel silver.

Cylinder options

- Classic, Interactive+, MT5® platforms
- ‘3 IN 1’ (changeable combination)
- Keyed different, keyed alike
- Master keyed



Cylinder for "Cisa" Type Locks



Application

Compatible with "Cisa" type surface-mounted lock cases.

Operation

360° rotation by operating key.

Materials

Body and plug: high quality brass
Cam: steel
Pins: nickel silver and stainless steel

Standard finishes

Nickel satin, brass

Cylinder mechanism

Mul-T-Locks unique, high precision pin tumbler system.

Keys

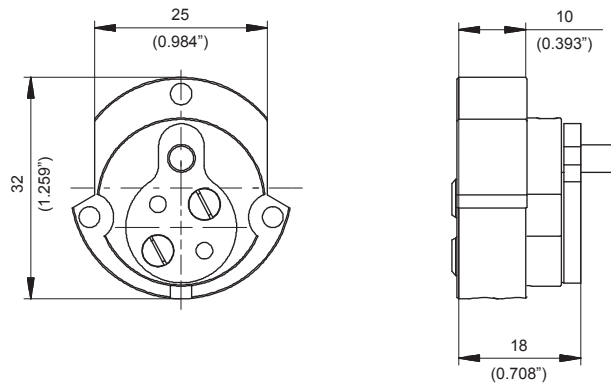
Reversible nickel silver key with plastic key head and colored insert. Also available in all nickel silver.

Cylinder options

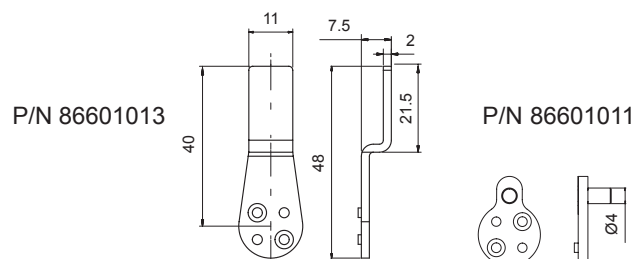
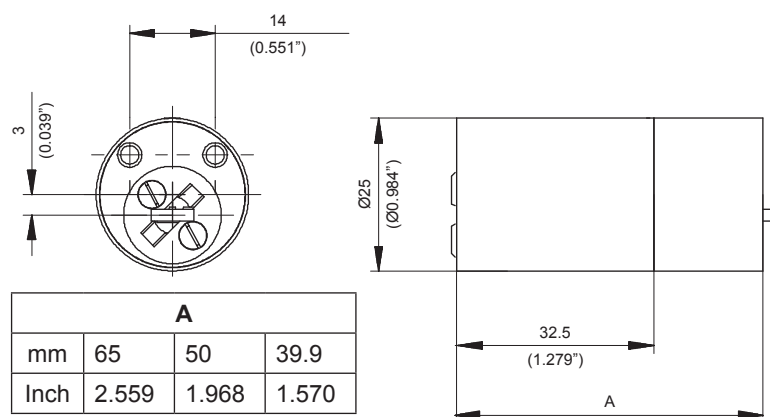
- Classic, Interactive+, MT5® platforms
- '3 IN 1' (changeable combination)
- Keyed different, keyed alike
- Master keyed

Note: Internal cylinder with 2 chambers

Internal cylinder



External cylinder



Available as a pair of cylinders – internal and external or external cylinder only.

Cylinder for "Fichet" Type Rim Locks



Application

Compatible with "Fichet" type rim lock cases.

Operation

360° rotation by operating key.

Materials

Body and plug: high quality brass
 Latch: cast alloy
 Pins: nickel silver and stainless steel

Standard finishes

Nickel satin, brass

Cylinder mechanism

Mul-T-Lock's unique, high precision pin tumbler system.

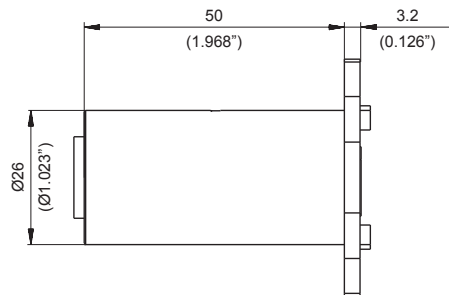
Keys

Reversible nickel silver key with plastic key head and colored insert. Also available in all nickel silver.

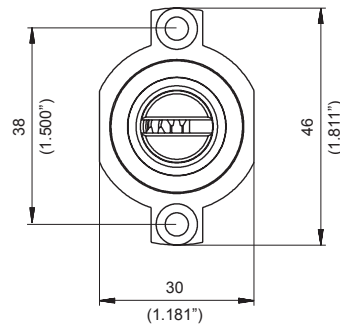
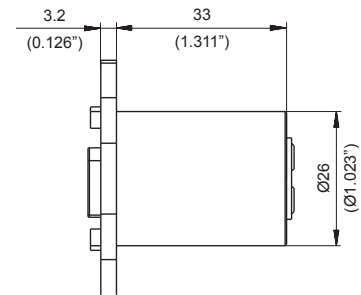
Cylinder options

- Classic, Interactive+, MT5® platforms
- Keyed different, keyed alike
- Master keyed

External cylinder

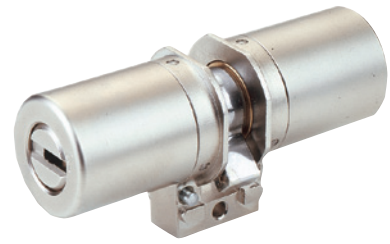


Internal cylinder



Available as a pair of internal and external cylinders.

Cylinder for "Fichet" Type Mortise Locks



Application

Compatible with "Fichet" type mortise lock cases.

Operation

360° rotation by operating key.

Materials

Body and plug: high quality brass
Cam: steel
Pins: nickel silver and stainless steel

Standard finish

Nickel satin

Cylinder mechanism

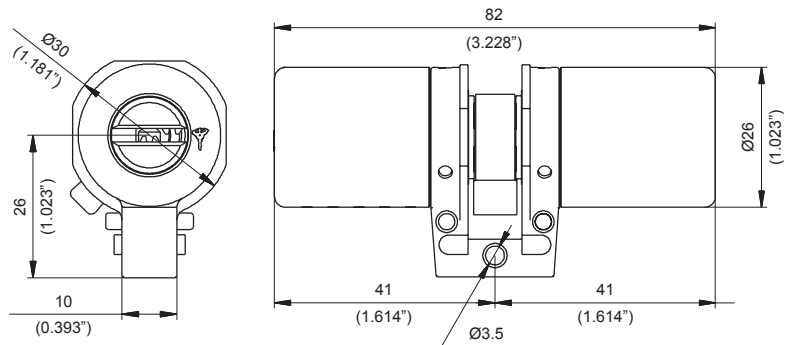
Mul-T-Lock's unique, high precision pin tumbler system.

Keys

Reversible nickel silver key with plastic key head and colored insert. Also available in all nickel silver.

Cylinder options

- Classic, Interactive+ platforms
- Keyed different, keyed alike
- Master keyed



Cylinder for “Lockwood” Type Locks



Application

Compatible with “Lockwood” type lock cases.

Operation

360° rotation by operating key.

Materials

Body and plug: high quality brass
Cam: steel
Pins: nickel silver and stainless steel

Standard finishes

Nickel satin, brass

Cylinder mechanism

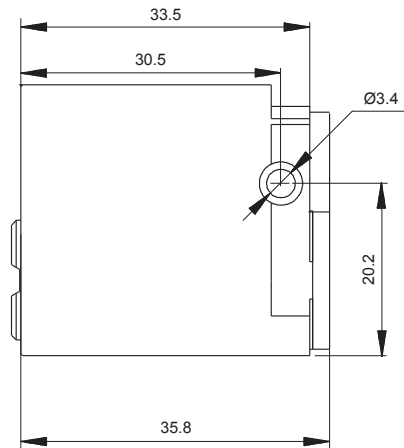
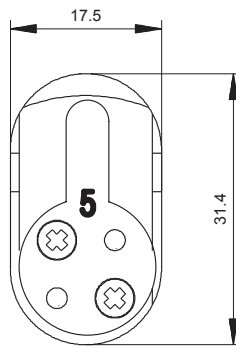
Mul-T-Lock’s unique, high precision pin tumbler system.

Keys

Reversible nickel silver key with plastic key head and colored insert. Also available in all nickel silver.

Cylinder options

- Classic, Interactive+, MT5® platforms
- ‘3 IN 1’ (changeable combination)
- Keyed different, keyed alike
- Master keyed



Cylinder for "Abloy" Type Locks



Application

Compatible with "Abloy" type locks.

Operation

360° rotation by operating key.

Materials

Body and plug: high quality brass

Tail: steel

Pins: nickel silver and stainless steel

Standard finish

Nickel satin

Cylinder mechanism

Mul-T-Lock's unique, high precision pin tumbler system.

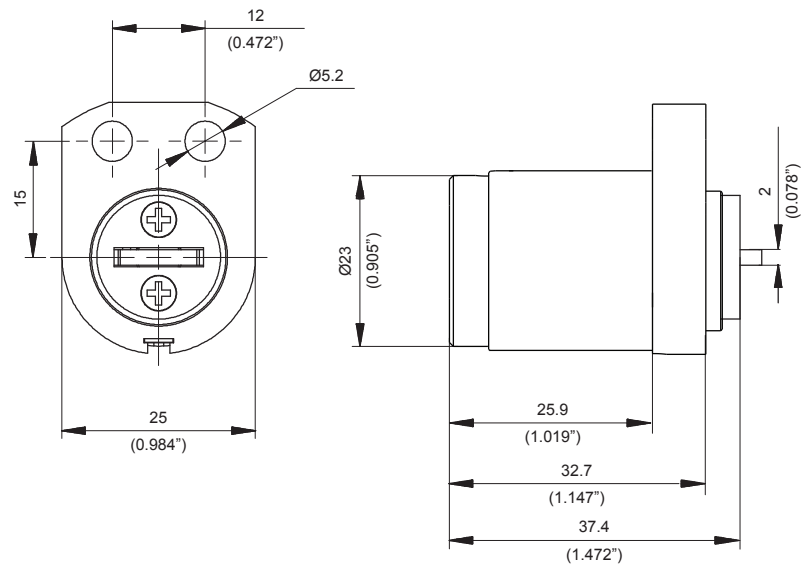
Keys

Reversible nickel silver key with plastic key head and colored insert. Also available in all nickel silver.

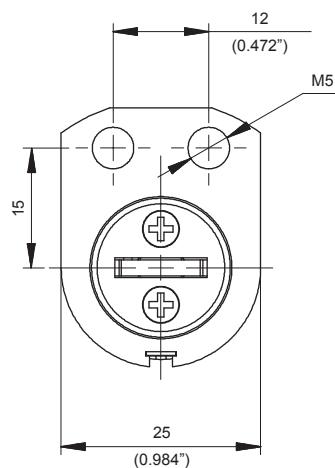
Cylinder options

- Classic, Interactive+ platforms
- Keyed different, keyed alike
- Master keyed

Internal cylinder

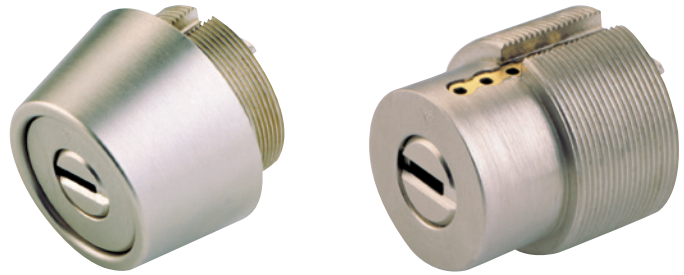


External cylinder



Note: external cylinder with M5 threads

Cylinder for "Miwa" Type LIX & SWLSP Locks



Application

Compatible with "Miwa" type LIX & SWLSP lock cases.

Operation

360° rotation by operating key.

Materials

Body and plug: high quality brass
Tail: steel
Pins: nickel silver and stainless steel

Standard finish

Nickel satin, shiny brass

Special finishes

Antique brass, SBH, CCSR (polished steel)

Cylinder mechanism

Mul-T-Lock's unique, high precision pin tumbler system.

Keys

Reversible nickel silver key with plastic key head and colored insert. Also available in all nickel silver.

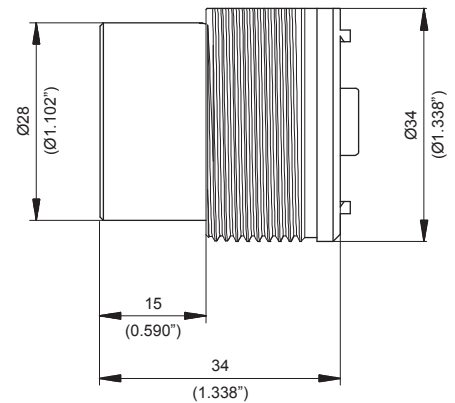
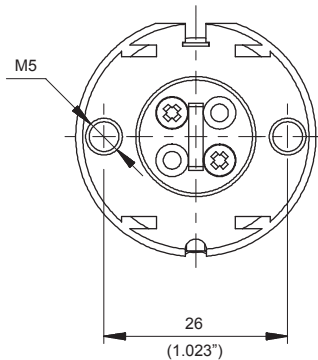
Cylinder options

- Classic, Interactive+ platforms
- '3 IN 1' (changeable combination)
- Keyed different, keyed alike
- Master keyed

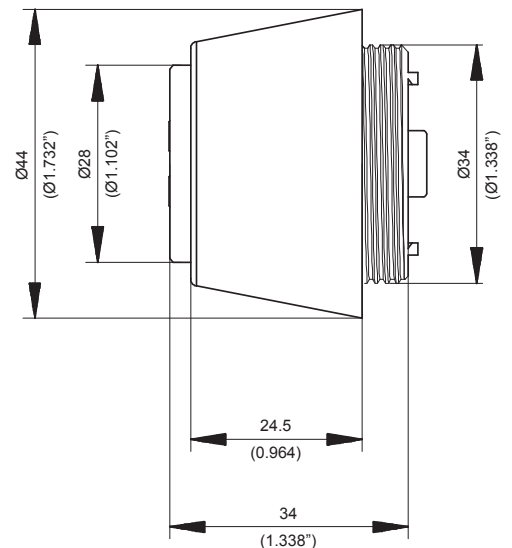
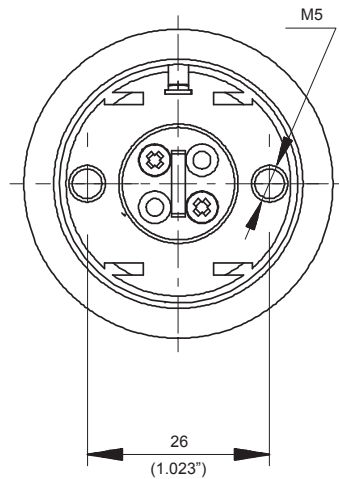
Standards

CPC

LIX type lock

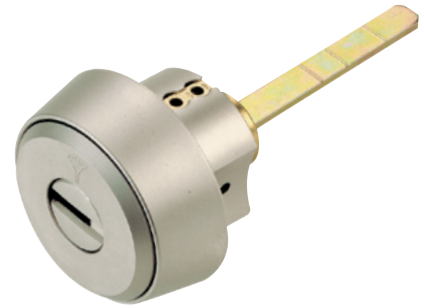


SWLSP type lock



www.mul-t-lock.com

Cylinder for "Miwa" Type NDR Locks



Application

Compatible with "Miwa" type NDR lock cases.

Operation

360° rotation by operating key.

Materials

Body and plug: high quality brass

Tail: steel

Pins: nickel silver and stainless steel

Standard finish

Nickel satin, shiny brass

Cylinder mechanism

Mul-T-Lock's unique, high precision pin tumbler system.

Keys

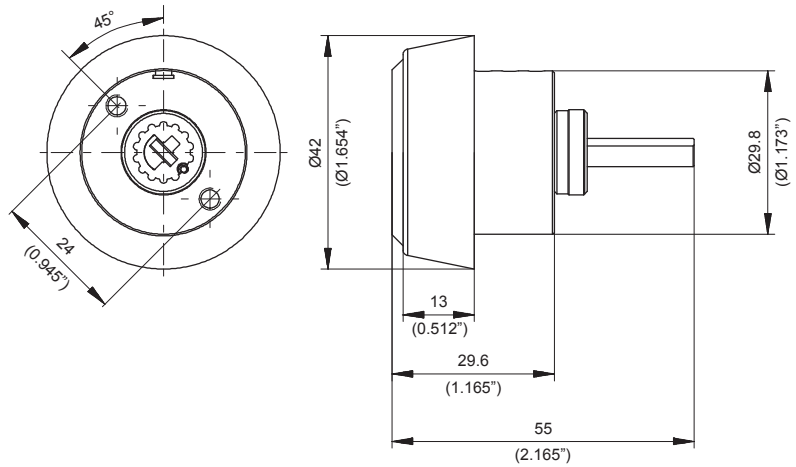
Reversible nickel silver key with plastic key head and colored insert. Also available in all nickel silver.

Cylinder options

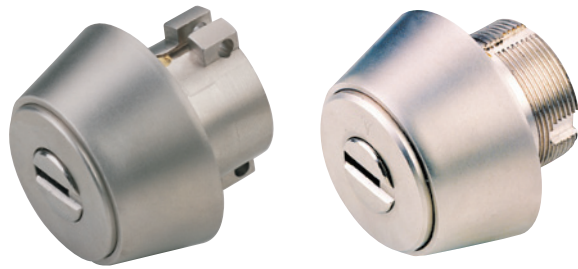
- Classic, Interactive+ platforms
- '3 IN 1' (changeable combination)
- Keyed different, keyed alike
- Master keyed

Standards

CPC



Cylinder for "Miwa" Type BH & LA Locks



Application

Compatible with "Miwa" type
BH & LA lock cases.

Operation

360° rotation by operating key.

Materials

Body and plug: high quality brass
Pins: nickel silver and stainless
steel

Standard finish

Nickel satin

Cylinder mechanism

Mul-T-Lock's unique, high precision
pin tumbler system.

Keys

Reversible nickel silver key with
plastic key head and colored insert.
Also available in all nickel silver.

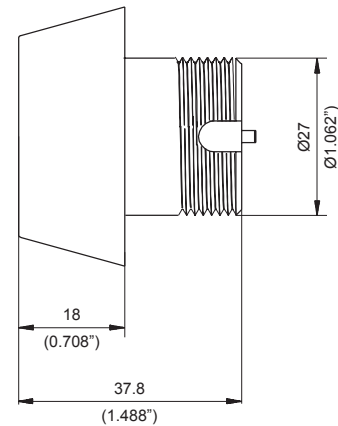
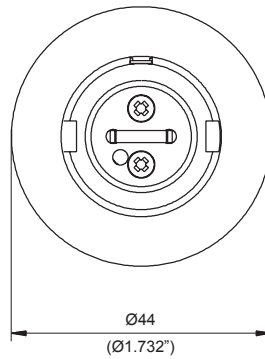
Cylinder options

- Classic, Interactive+ platforms
- Keyed different, keyed alike
- Master keyed

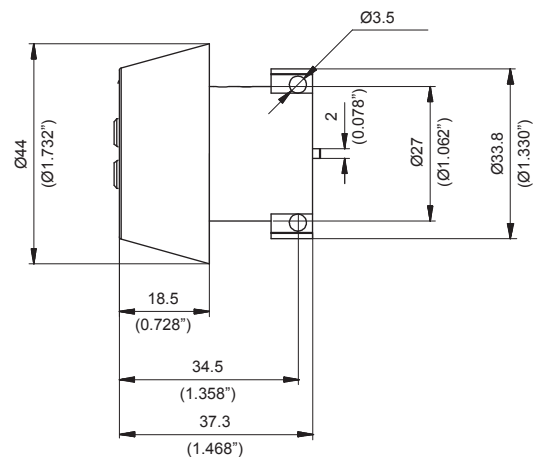
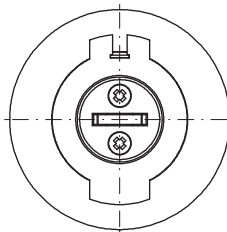
Standards

CPC

BH type lock



LA type lock



Cylinder for “Miwa” Type PMK Locks



Application

Compatible with “Miwa” type PMK lock cases.

Operation

360° rotation by operating key.

Materials

Body and plug: high quality brass
Pins: nickel silver and stainless steel

Standard finish

Nickel satin

Special finish

CCSR (polished steel)

Cylinder mechanism

Mul-T-Lock’s unique, high precision pin tumbler system.

Keys

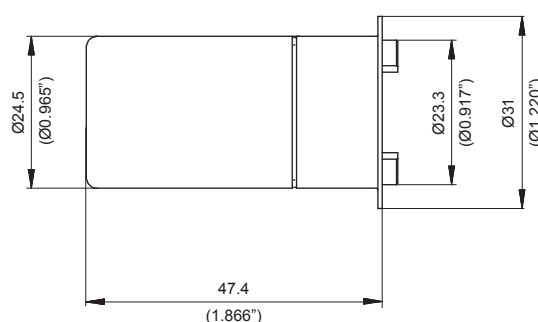
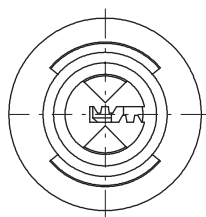
Reversible nickel silver key with plastic key head and colored insert.
Also available in all nickel silver.

Cylinder options

- Classic, Interactive+ platforms
- Keyed different, keyed alike
- Master keyed

Standards

CPC



Cylinder for “Miwa” Type KS-112 Locks



Application

Compatible with “Miwa” type KS-112 lock cases.

Operation

360° rotation by operating key.

Materials

Body and plug: high quality brass
Tail: steel
Pins: nickel silver and stainless steel

Standard finish

Nickel satin, shiny brass

Special finishes

Antique brass, SBH, CCSR (polished steel)

Cylinder mechanism

Mul-T-Lock’s unique, high precision pin tumbler system.

Keys

Reversible nickel silver key with plastic key head and colored insert. Also available in all nickel silver.

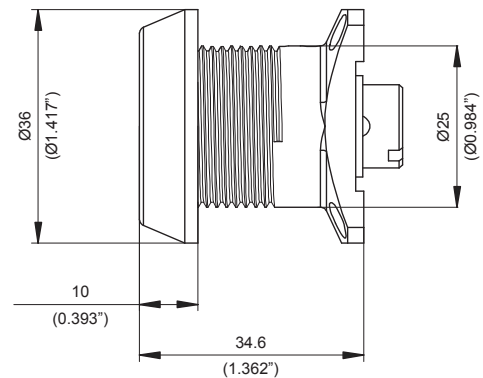
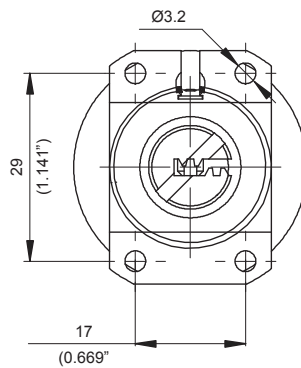
Cylinder options

- Classic, Interactive+ platforms
- ‘3 IN 1’ (changeable combination)
- Keyed different, keyed alike
- Master keyed

Standards

CPC

KS-112 type lock



Cylinder for “Miwa” Type HPD Locks



Application

Compatible with “Miwa” type HPD40KJ, HPD27KJ lock cases.

Operation

360° rotation by operating key.

Materials

Body and plug: high quality brass

Tail: steel

Pins: nickel silver and stainless steel

Standard finish

Nickel satin

Special finish

CCSR (polished steel)

Cylinder mechanism

Mul-T-Lock’s unique, high precision pin tumbler system.

Keys

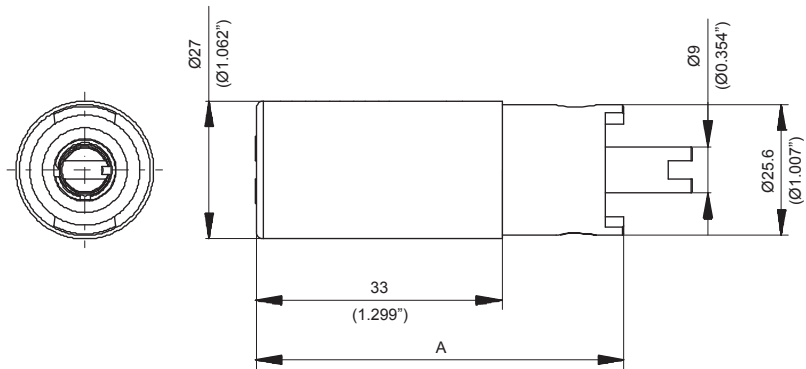
Reversible nickel silver key with plastic key head and colored insert. Also available in all nickel silver.

Cylinder options

- Classic, Interactive+ platforms
- ‘3 IN 1’ (changeable combination)
- Keyed different, keyed alike
- Master keyed

Standards

CPC



	A	
	mm	Inch
HPD40KJ	81.4	3.204
HPD27KJ	71.5	2.815

Cylinder for “Miwa” Type RA Locks



Application

Compatible with “Miwa” type RA lock cases.

Operation

360° rotation by operating key.

Materials

Body and plug: high quality brass
Pins: nickel silver and stainless steel

Standard finish

Nickel satin, shiny brass

Special finishes

CCSR (polished steel)

Cylinder mechanism

Mul-T-Lock’s unique, high precision pin tumbler system.

Keys

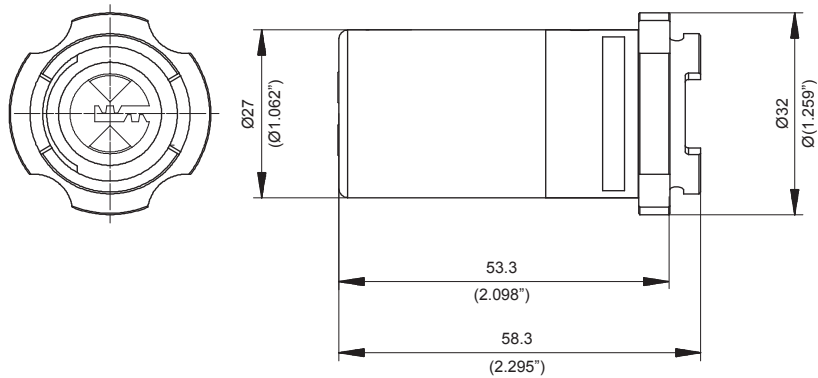
Reversible nickel silver key with plastic key head and colored insert.
Also available in all nickel silver.

Cylinder options

- Classic, Interactive+ platforms
- Keyed different, keyed alike
- Master keyed

Standards

CPC



Cylinder for "Showa" Type CL-50 Locks



Application

Compatible with "Showa" type CL-50 lock cases.

Operation

360° rotation by operating key.

Materials

Body and plug: high quality brass

Tail: steel

Pins: nickel silver and stainless steel

Standard finish

Nickel satin

Cylinder mechanism

Mul-T-Lock's unique, high precision pin tumbler system.

Keys

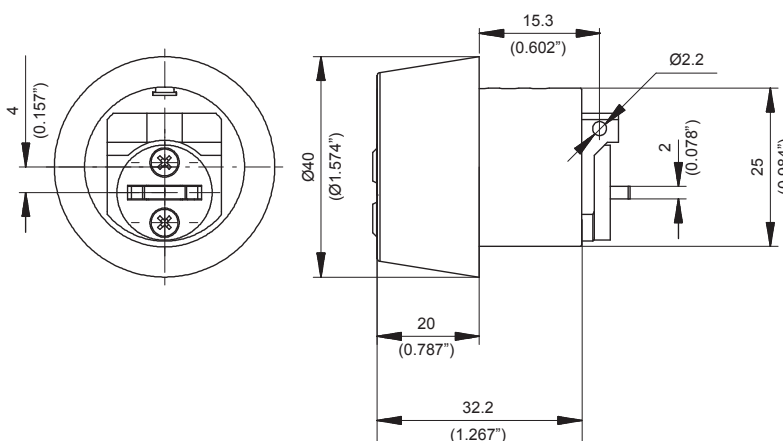
Reversible nickel silver key with plastic key head and colored insert. Also available in all nickel silver.

Cylinder options

- Classic, Interactive+ platforms
- '3 IN 1' (changeable combination)
- Keyed different, keyed alike
- Master keyed

Standards

CPC



Cylinder for "Goal" Type AS.LX Locks



Application

Compatible with "Goal" type AS.LX lock cases.

Operation

360° rotation by operating key.

Materials

Body and plug: high quality brass
Tail: steel
Pins: nickel silver and stainless steel

Standard finish

Nickel satin, shiny brass

Cylinder mechanism

Mul-T-Lock's unique, high precision pin tumbler system.

Keys

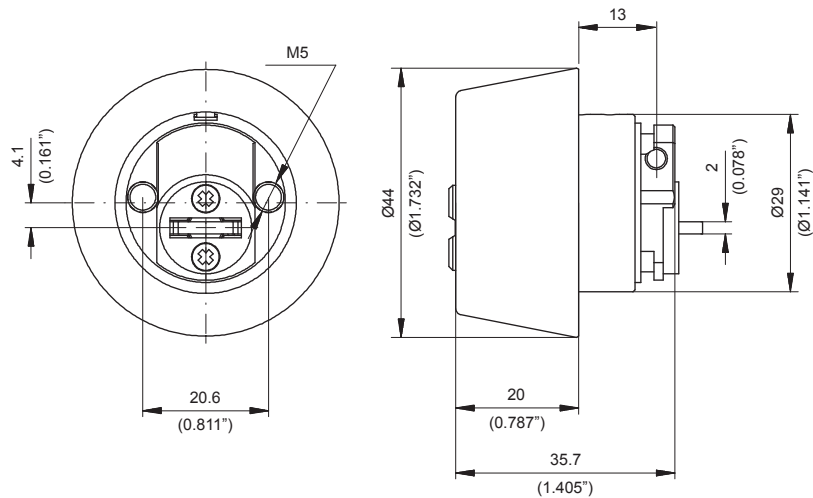
Reversible nickel silver key with plastic key head and colored insert. Also available in all nickel silver.

Cylinder options

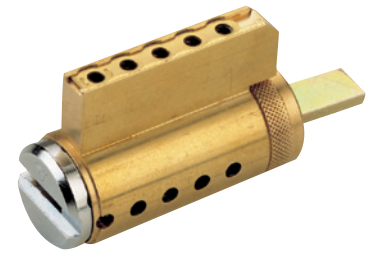
- Classic, Interactive+ platforms
- '3 IN 1' (changeable combination)
- Keyed different, keyed alike
- Master keyed

Standards

CPC



Cylinder for "Goal" Type K.I.K. UC-6 Locks



Application

Compatible with "Goal" type UC-6 K.I.K. knob sets.

Operation

360° rotation by operating key.

Materials

Body and plug: high quality brass

Tail: steel

Pins: nickel silver and stainless steel

Standard finish

Nickel satin

Cylinder mechanism

Mul-T-Lock's unique, high precision pin tumbler system.

Keys

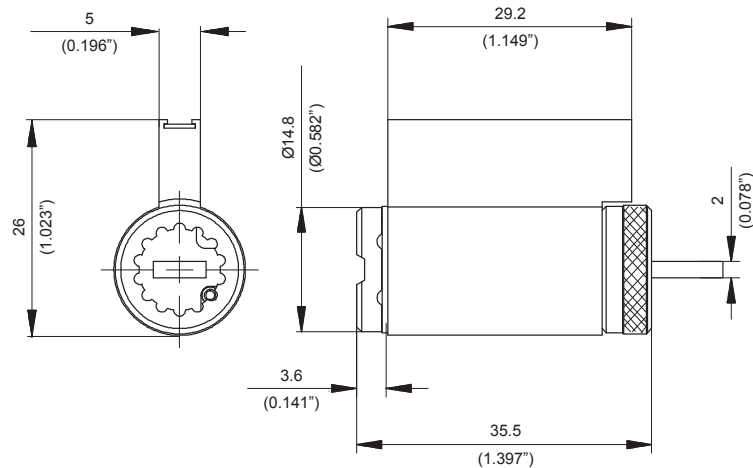
Reversible nickel silver key with plastic key head and colored insert. Also available in all nickel silver.

Cylinder options

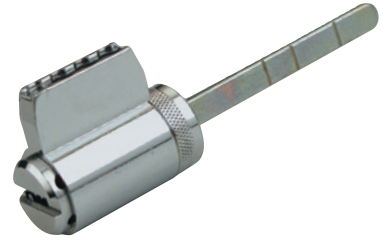
- Classic, Interactive+ platforms
- '3 IN 1' (changeable combination)
- Keyed different, keyed alike
- Master keyed

Standards

CPC



Cylinder for “Goal” Type K.I.K. AD Locks



Application

Compatible with “Goal” type
AD K.I.K. knob sets.

Operation

360° rotation by operating key.

Materials

Body and plug: high quality brass
Tail: steel
Pins: nickel silver and stainless
steel

Standard finish

Nickel satin

Cylinder mechanism

Mul-T-Lock’s unique, high precision
pin tumbler system.

Keys

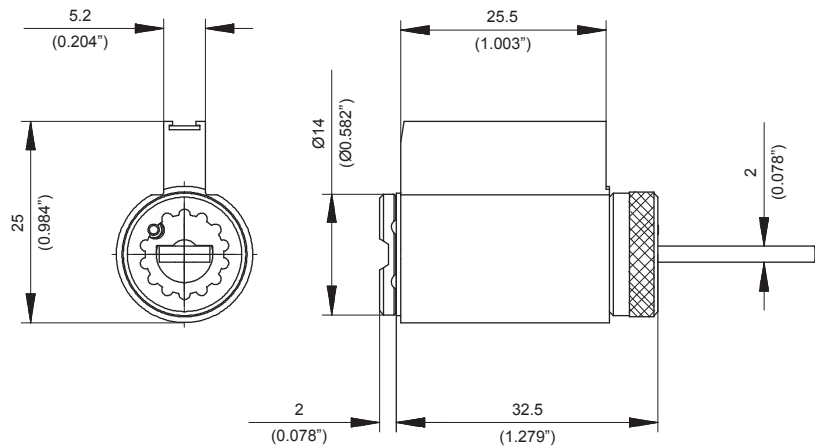
Reversible nickel silver key with
plastic key head and colored insert.
Also available in all nickel silver.

Cylinder options

- Classic, Interactive+ platforms
- Keyed different, keyed alike
- Master keyed

Standards

CPC



Cylinder for "Keso" Type Locks



Application

Compatible with "Keso" type mortise lock cases.

Operation

360° rotation by operating key.

Materials

Body and plug: High quality brass
 Pins: nickel silver and stainless steel

Standard finish

Nickel satin

Cylinder mechanism

Mul-T-Lock's unique, high precision pin tumbler system.

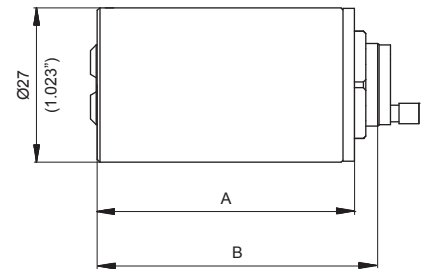
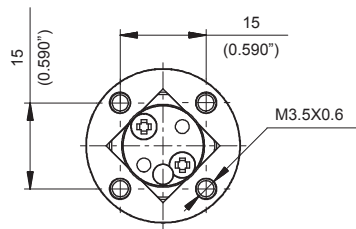
Keys

Reversible nickel silver key with plastic key head and colored insert.
 Also available in all nickel silver.

Cylinder options

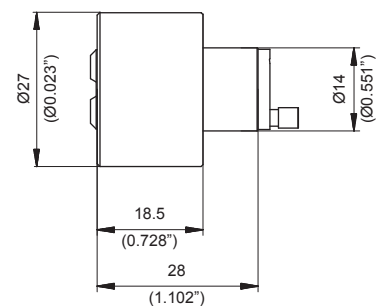
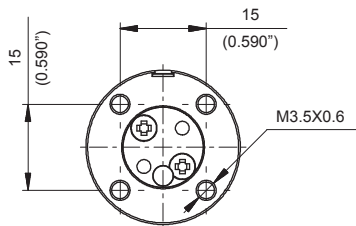
- Classic, Interactive+, MT5® platforms
- Keyed different, keyed alike
- Master keyed

External cylinder



A		B	
mm	Inch	mm	Inch
43	1.692	49.3	1.940
80	3.164	86.3	3.397

Internal cylinder



Cylinder for “Blindex” Type Locks

For Glass Doors



Application

Compatible with “Blindex” type locks for glass doors.

Operation

360° rotation by operating key.

Materials

Body and plug: high quality brass
Cam: steel
Pins: nickel silver and stainless steel

Standard finish

Nickel satin

Cylinder mechanism

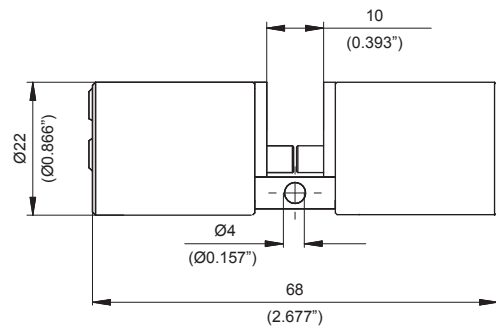
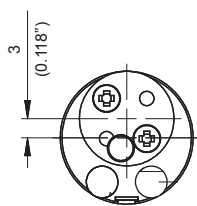
Mul-T-Lock’s unique, high precision pin tumbler system.

Keys

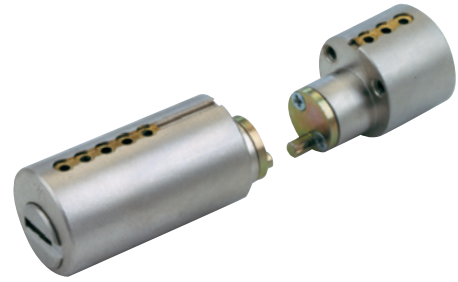
Reversible nickel silver key with plastic key head and colored insert. Also available in all nickel silver.

Cylinder options

- Classic, Interactive+ platforms
- ‘3 IN 1’ (changeable combination)
- Keyed different, keyed alike
- Master keyed



Cylinder for "Vega" Type Locks



Application

Compatible with "Vega" type lock cases.

Operation

360° rotation by operating key.

Materials

Body and plug: high quality brass
 Pins: nickel silver and stainless steel

Standard finish

Nickel satin

Cylinder mechanism

Mul-T-Lock's unique, high precision pin tumbler system.

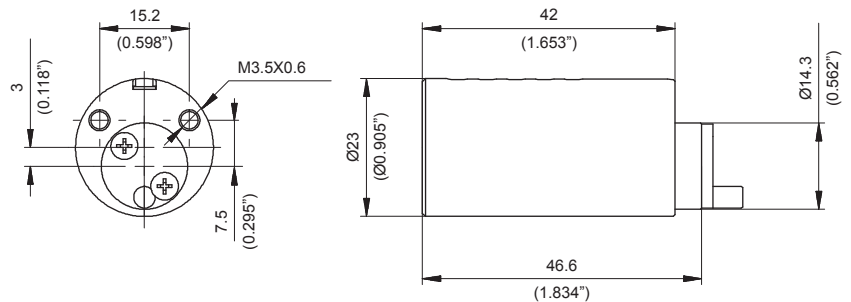
Keys

Reversible nickel silver key with plastic key head and colored insert.
 Also available in all nickel silver.

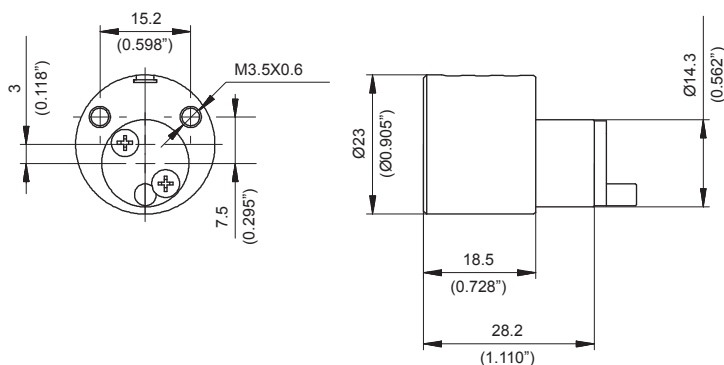
Cylinder options

- Classic, Interactive+, MT5® platforms
- '3 IN 1' (changeable combination)
- Keyed different, keyed alike
- Master keyed

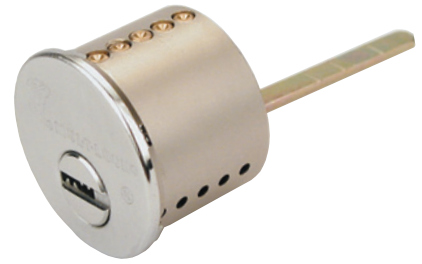
External cylinder



Internal cylinder



Cylinder for “Weiser” Type Locks



Application

Compatible with “Weiser” type lock D400 and “Prestige” Line.

Operation

360° rotation by key.

Materials

Body and plug: high quality brass

Tail: steel

Pins: nickel silver and stainless steel

Standard finishes

Brass, nickel chrome matt, shiny brass

Special finishes

Nickel chrome

Cylinder mechanism

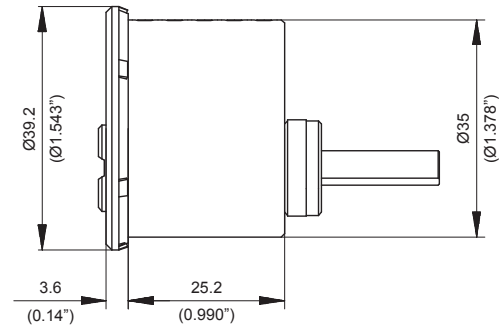
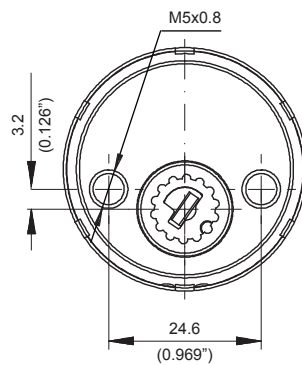
Mul-T-Lock’s unique, high precision pin tumbler system.

Keys

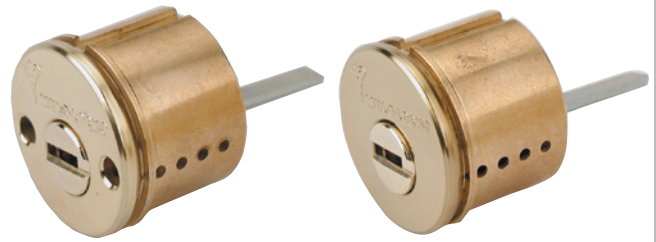
Reversible nickel silver key with plastic key head and colored insert. Also available in all nickel silver.

Cylinder options

- Classic, Interactive+ platforms
- ‘3 IN 1’ (changeable combination)
- Keyed different, keyed alike
- Master keyed



Cylinder for "Kwikset" Type Locks



Application

Compatible with "Kwikset" type
Titan type deadbolt (780, 785)

Operation

360° rotation by operating key.

Materials

Body and plug: high quality brass
Tail: steel
Pins: nickel silver and stainless steel

Standard finish

Shiny brass

Cylinder mechanism

Mul-T-Lock's unique, high precision pin tumbler system.

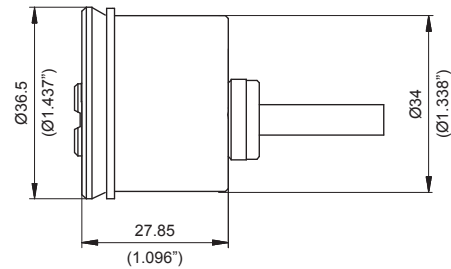
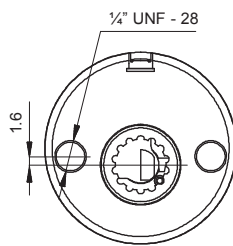
Keys

Reversible nickel silver key with plastic key head and colored insert.
Also available in all nickel silver.

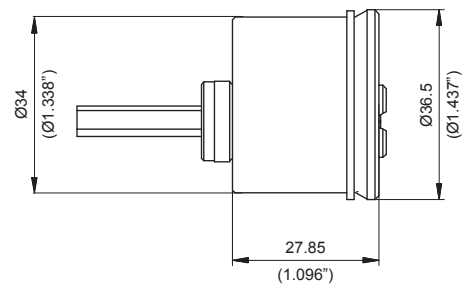
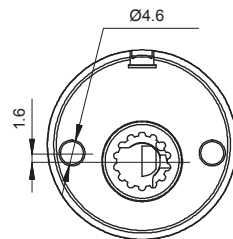
Cylinder options

- Classic, Interactive+ platforms
- '3 IN 1' (changeable combination)
- Keyed different, keyed alike
- Master keyed

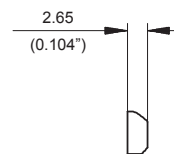
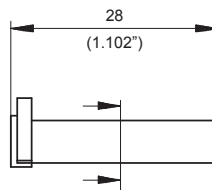
External cylinder



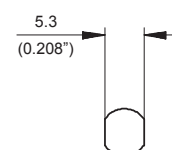
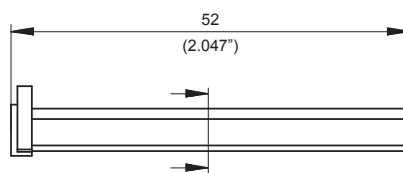
Internal cylinder



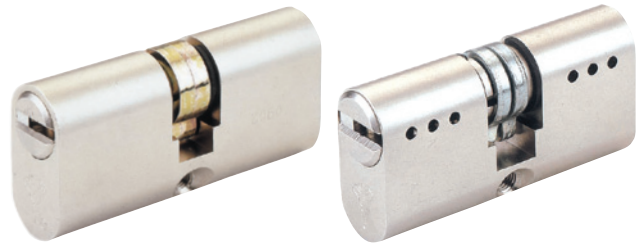
Tail for double P/N 88102030



Tail for single P/N 88102002



Cylinder for "Yale" Type ST & ST2 Locks



Application

Compatible with "Yale" type ST & ST2 mortise lock cases.

Operation

360° rotation by operating key.
Standard double cylinder - both sides permanently operational.

Materials

Body and plug: high quality brass
Cam: steel
Pins: nickel silver and stainless steel

Standard finish

Nickel satin

Cylinder mechanism

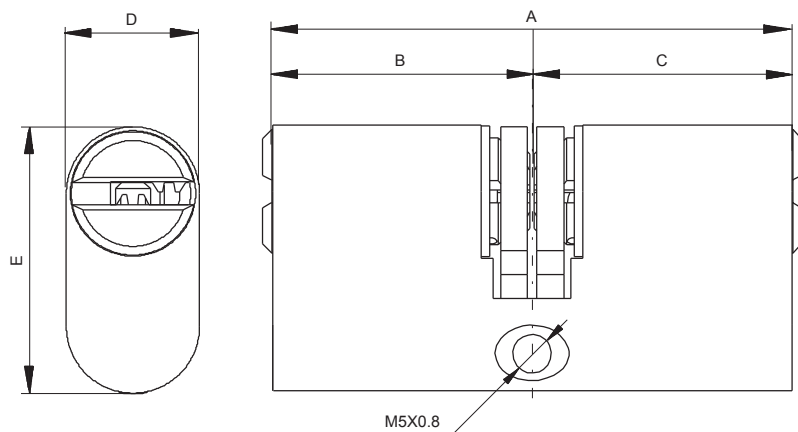
Mul-T-Lock's unique, high precision pin tumbler system.

Keys

Reversible nickel silver key with plastic key head and colored insert.
Also available in all nickel silver.

Cylinder options

- Classic, Interactive+ platforms
- '3 IN 1' (changeable combination)
- Keyed different, keyed alike
- Master keyed



Model		A	B	C	D	E
ST2	mm	60	30	30	15	30
	Inch	2.362	1.181	1.181	0.590	1.181
ST	mm	70	35	35	17.5	34
	Inch	2.755	1.377	1.377	0.688	1.338

Cylinder for "Vachette" Type Locks



Application

Compatible with "Vachette" type mortise lock cases.

Operation

Rotation by operating key.
Identical inner and outer cylinders.

Materials

Body and plug: high quality brass
Cam: steel
Pins: nickel silver and stainless steel

Standard finish

Nickel satin

Cylinder mechanism

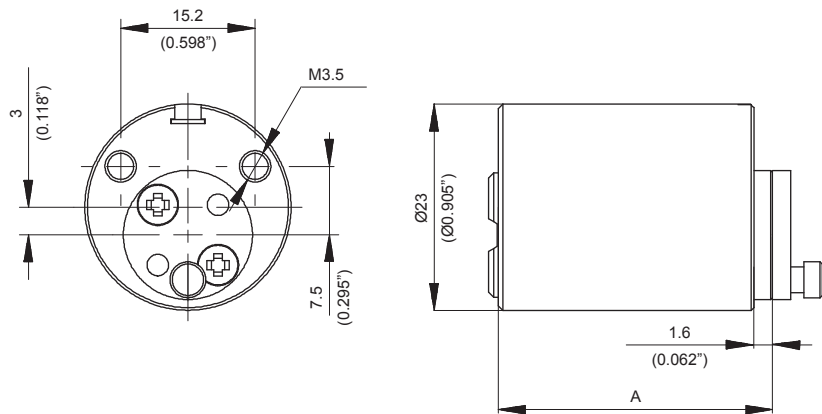
Mul-T-Lock's unique, high precision pin tumbler system.

Keys

Reversible nickel silver key with plastic key head and colored insert.
Also available in all nickel silver.

Cylinder options

- Classic, Interactive+ platforms
- '3 IN 1' (changeable combination)
- Keyed different, keyed alike
- Master keyed



A		
	mm	Inch
Internal	30.6	1.204
External	40.2	1.582
	46.6	1.834
	53	2.086
	62.6	2.464

Cylinder for “City” Type Locks



Application

Compatible with “City” type mortise lock cases.

Operation

Rotation by operating key.

Materials

Body and plug: high quality brass
Cam: steel
Pins: nickel silver and stainless steel

Standard finish

Nickel satin

Cylinder mechanism

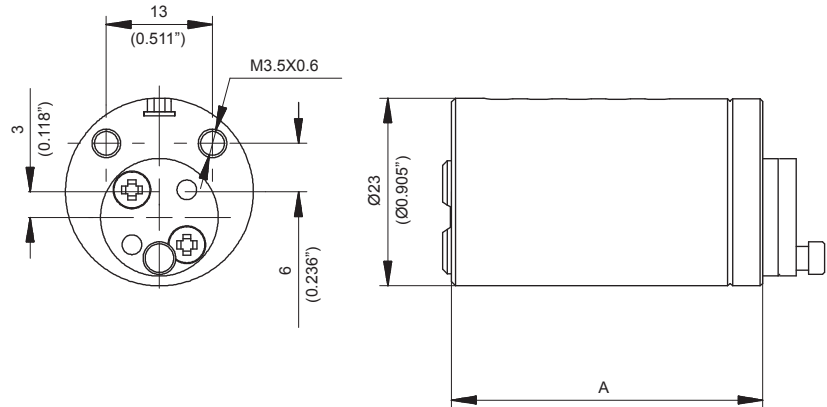
Mul-T-Lock’s unique, high precision pin tumbler system.

Keys

Reversible nickel silver key with plastic key head and colored insert.
Also available in all nickel silver.

Cylinder options

- Classic, Interactive+ platforms
- ‘3 IN 1’ (changeable combination)
- Keyed different, keyed alike
- Master keyed



A	
mm	Inch
40.2	1.582
46.6	1.834
53	2.086
62.6	2.464

Cylinder for “Bricard” Type Locks



Application

Compatible with “Bricard” type mortise lock cases.

Operation

360° rotation by operating key or thumbturn. Standard double cylinder.

Materials

Body and plug: high quality brass
Cam: steel
Pins: nickel silver and stainless steel

Standard finish

Nickel satin

Cylinder mechanism

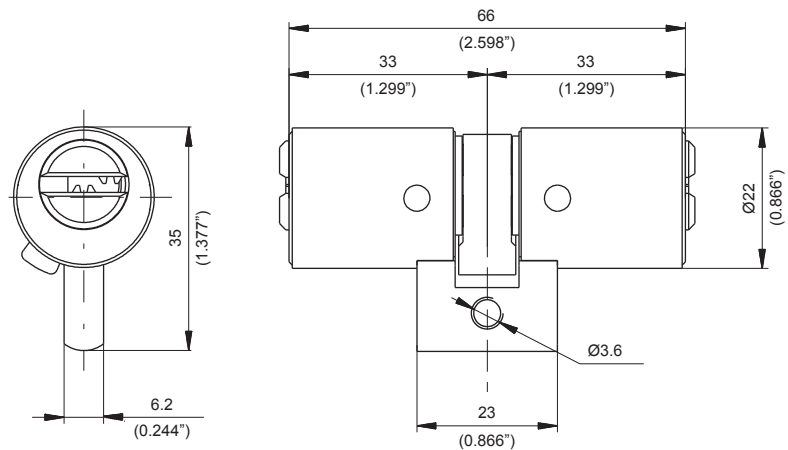
Mul-T-Lock’s unique, high precision pin tumbler system.

Keys

Reversible nickel silver key with plastic key head and colored insert. Also available in all nickel silver.

Cylinder options

- Classic, Interactive+, MT5® platforms
- ‘3 IN 1’ (changeable combination)
- Keyed different, keyed alike
- Master keyed



Cylinder for “Yale” Type I.C. Locks



Application

Retrofitting core of “Yale” type housing for various applications.

Operation

Regular key: 360° rotation.

Control key: 90° rotation to enable core extraction.

Materials

Body and plug: high quality brass

Cam: steel

Pins: nickel silver and stainless steel

Standard finishes

Brass, nickel chrome matt

Cylinder mechanism

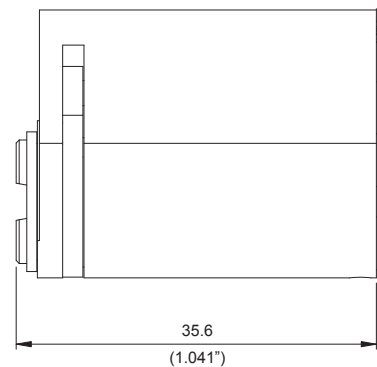
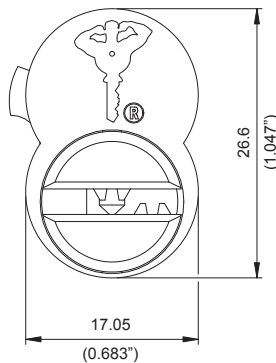
Mul-T-Lock’s unique, high precision pin tumbler system.

Keys

Reversible nickel silver key with plastic key head and colored insert. Also available in all nickel silver.

Cylinder options

- Classic, Interactive+, MT5® platforms
- ‘3 IN 1’ (changeable combination)
- Keyed different, keyed alike
- Master keyed



Cylinder for "Schlage" Type I.C. Locks



Application

Retrofitting interchangeable core of "Schlage" type housing for various applications.

Operation

Regular key: 360° rotation.

Control key: 90° rotation enables core extraction.

Materials

Body and plug: high quality brass

Cam: steel

Pins: nickel silver and stainless steel

Standard finish

Nickel chrome matt, shiny brass

Cylinder mechanism

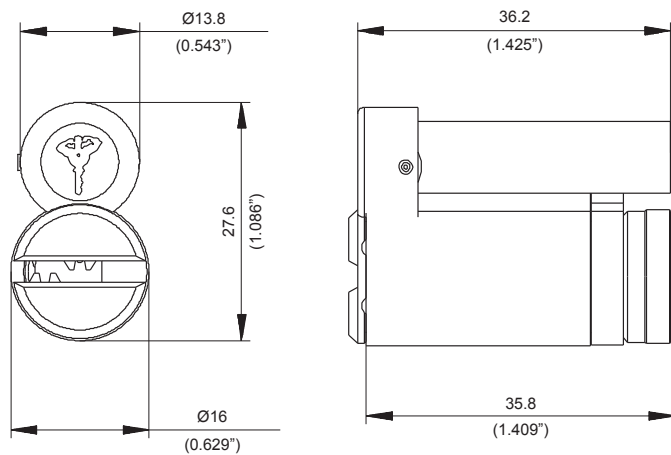
Mul-T-Lock's unique, high precision pin tumbler system.

Keys

Reversible nickel silver key with plastic key head and colored insert. Also available in all nickel silver.

Cylinder options

- Classic, Interactive+, MT5® platforms
- '3 IN 1' (changeable combination)
- Keyed different, keyed alike
- Master keyed



Cylinder for "C.V.L." Type Locks



Application

Compatible with "C.V.L." type lock cases.

Operation

360° rotation by operating key.

Materials

Body and plug: high quality brass
 Cam: steel
 Pins: nickel silver and stainless steel

Standard finishes

Nickel satin, brass

Cylinder mechanism

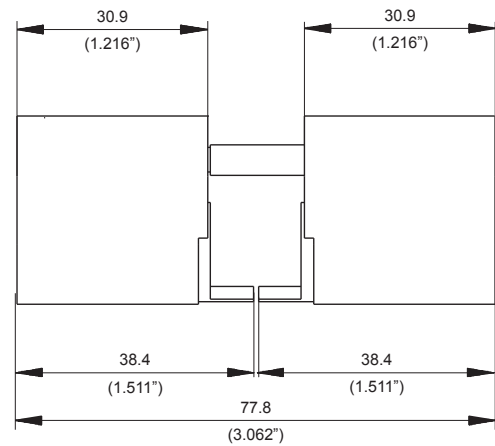
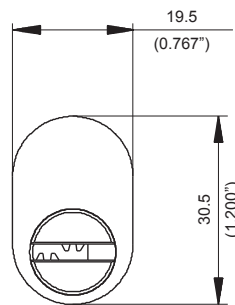
Mul-T-Lock's unique, high precision pin tumbler system.

Keys

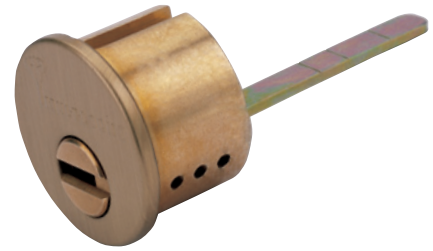
Reversible nickel silver key with plastic key head and colored insert.
 Also available in all nickel silver.

Cylinder options

- Classic, Interactive+ platforms
- Keyed different, keyed alike
- Master keyed



Cylinder for "Baldwin" Type Locks



Application

Compatible with "Baldwin" type lock cases.

Operation

360° rotation by operating key.

Materials

Body and plug: high quality brass
Cam: steel
Pins: nickel silver and stainless steel

Standard finishes

Nickel satin, nickel chrome matt, shiny brass

Special finishes

Nickel chrome, black, antique brass

Cylinder mechanism

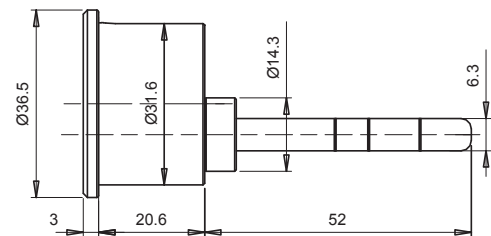
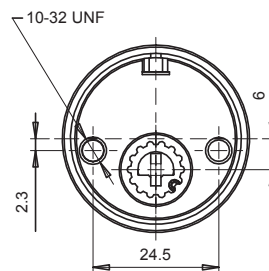
Mul-T-Lock's unique, high precision pin tumbler system.

Keys

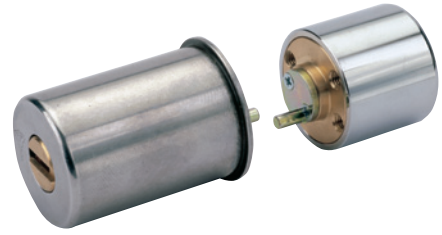
Reversible nickel silver key with plastic key head and colored insert. Also available in all nickel silver.

Cylinder options

- Classic, Interactive+, MT5® platforms
- '3 IN 1' (changeable combination)
- Keyed different, keyed alike
- Master keyed



Cylinder for "Cazis" Type Locks



Application

Compatible with "Cazis" type lock cases.

Operation

360° rotation by operating key.

Materials

Body and plug: high quality brass
Cam: steel
Pins: nickel silver and stainless steel

Standard finish

Nickel chrome

Cylinder mechanism

Mul-T-Lock's unique, high precision pin tumbler system.

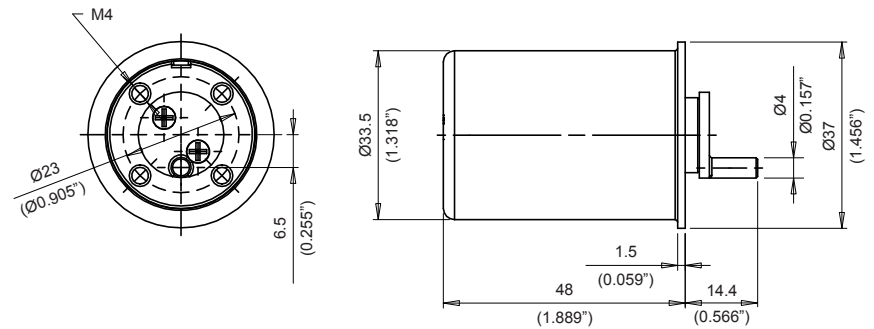
Keys

Reversible nickel silver key with plastic key head and colored insert.
Also available in all nickel silver.

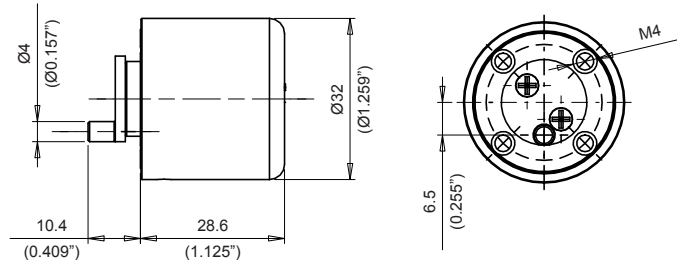
Cylinder options

- Classic, Interactive+, MT5® platforms
- Keyed different, keyed alike
- Master keyed

External cylinder



Internal cylinder



Cylinder for “Prefer” Type Locks



Application

Compatible with “Prefer” type lock cases, models 6011, 6211.

Operation

360° rotation by operating key.

Materials

Body and plug: high quality brass
Pins: nickel silver and stainless steel

Standard finish

Brass

Cylinder mechanism

Mul-T-Lock’s unique, high precision pin tumbler system.

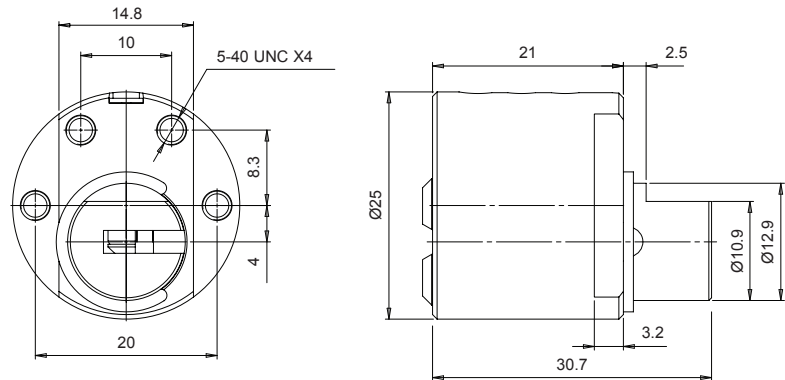
Keys

Reversible nickel silver key with plastic key head and colored insert.
Also available in all nickel silver.

Cylinder options

- Classic, Interactive+, MT5® platforms
- Keyed different, keyed alike
- Master keyed

Model 6211



Euro Profile Modular Cylinder



With the Mul-T-Lock Modular cylinder kit, you can build cylinders of any desired length, from 31 to 80 mm.

Based on “single cylinder” lengths of 31, 33 and 35 mm, the kit contains a vast assortment of parts for building cylinder sides of any length, and creating cylinders of unusual sizes such as 31X31, 33X78, or 35X40, etc.

Assembly is as easy as 1,2,3. Just pick out the parts required for the desired length, according to the attached Reference Table, and assemble them together.

The cylinders are built on a central two-sided bar, with each side identified by a number indicating the length group it belongs to.

Bars for double sided cylinders are marked “x,x” (2 digits), while bars for single sided cylinders are marked “x” (one digit)

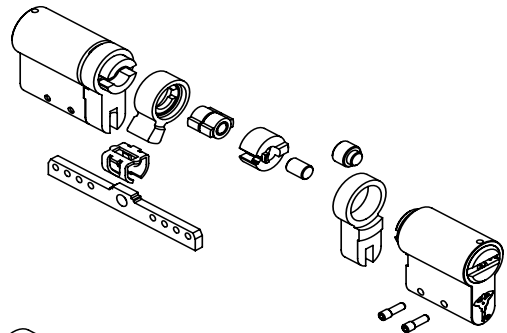
Example

The following parts are required for building a 31X46 mm double cylinder:

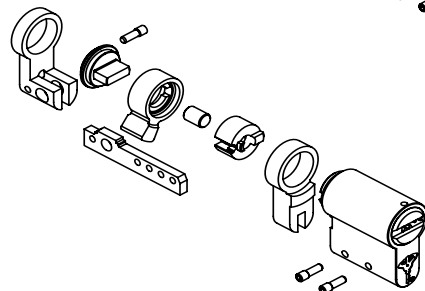
- For the 31 mm side: 1 bar type 1, 1 body type 31, plug 31, and nothing else
- For the 46 mm side: 1 bar type 2, 1 body type 31, plug 31, 15 mm body spacer, 15 mm plug spacer and 15 mm plug adapter
- 1 bar adapter
- 4 threaded pins

Note: Cylinder bodies and plugs should be ordered separately according to the profile (keyway) you are using, and based on the Reference Table. To restock the kit, use special catalogue numbers.

Double cylinder



Single cylinder



www.mul-t-lock.com

Euro Profile Modular Cylinder

Catalogue Part Numbers for Restocking

	Catalogue P/N	Description		Catalogue P/N	Description
1	84400001	Bar 1	32	88000061	Plug spacer Ø5x32 mm
2	84400002	Bar 2	33	88000062	Plug spacer Ø5x35 mm
3	84400003	Bar 3	34	88000063	Plug spacer Ø5x37 mm
4	84400004	Bar 4	35	88000064	Plug spacer Ø5x40 mm
5	84400005	Bar 5	36	88000065	Plug spacer Ø5x42 mm
6	84400008	Threaded pin	37	88000066	Plug spacer Ø5x45 mm
7	84400010	Bar adapter	38	88000067	Plug spacer Ø5x47 mm
8	84400011	Bar 1,1	39	81200100	Cam 30°
9	84400012	Bar 1,2	40	80000019	Coupling
10	84400013	Bar 1,3	41	84400130	Body spacer 5 mm
11	84400014	Bar 1,4	42	84400131	Body spacer 10 mm
12	84400015	Bar 1,5	43	84400132	Body spacer 15 mm
13	84400019	Bar 2,2	44	84400133	Body spacer 20 mm
14	84400020	Bar 2,3	45	84400134	Body spacer 25 mm
15	84400021	Bar 2,4	46	84400135	Body spacer 30 mm
16	84400022	Bar 2,5	47	84400136	Body spacer 35 mm
17	84400023	Bar 3,3	48	84400137	Body spacer 40 mm
18	84400024	Bar 3,4	49	84400138	Body spacer 45 mm
19	84400025	Bar 4,4	50	80100613	Plug adapter Ø5x10 mm
20	80000322	Plug spacer Ø7x2 mm	51	80100615	Plug adapter Ø5x15 mm
21	88000018	Plug spacer Ø7x5 mm	52	80100617	Plug adapter Ø5x20 mm
22	88000025	Plug spacer Ø7x7 mm	53	80002027	Plug adapter Ø5x25 mm
23	88000052	Plug spacer Ø5x10 mm	54	80002029	Plug adapter Ø5x30 mm
24	88000053	Plug spacer Ø5x12 mm	55	80002032	Plug adapter Ø5x35 mm
25	88000054	Plug spacer Ø5x15 mm	56	80002034	Plug adapter Ø5x40 mm
26	88000055	Plug spacer Ø5x17 mm	57	80002036	Plug adapter Ø5x45 mm
27	88000056	Plug spacer Ø5x20 mm	58	84400057	Allen key 1.5 mm
28	88000057	Plug spacer Ø5x22 mm	59	82600260	Emergency cam
29	88000058	Plug spacer Ø5x25 mm	60	87602150	STD cover 5 pin
30	88000059	Plug spacer Ø5x27 mm	61	84600053	Single CYL. coupling
31	88000060	Plug spacer Ø5x30 mm	62	51207080	Single CYL. adapter

Special Cylinder Applications

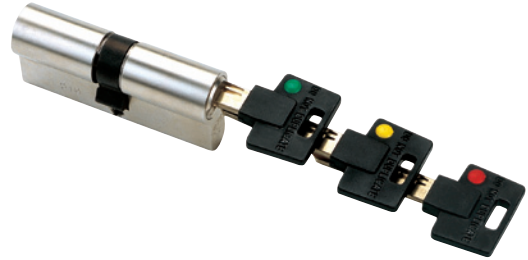
3 IN 1 cylinder

The '3 IN 1' cylinder has been designed by Mul-T-Lock to allow users to easily change their key combinations through a simple and speedy process:

The user inserts and operates the next key in a sequence of three keys, and the introduction of each new key invalidates the previous key combination.

When all three combinations have been used, the cylinder may be re-keyed by an authorised Mul-T-Lock locksmith.

The '3 IN 1' cylinder may be ordered with three separate duplicating cards for the green, yellow and red keys.



TLO - Temporary Lock Out cylinder

Mul-T-Lock's TLO (Temporary Lock-Out) cylinder offers effective and reliable entrance control, without resorting to complex software and expensive electronic systems. Fully mechanical, user-friendly and easy to install, the TLO is based on an innovative concept incorporating three keys: a blue key for ordinary use; a red lockout key, which, when turned in the cylinder, makes the door inaccessible to all blue keys; and a green reversal key, which reverses the red key effect, making the door accessible once more to regular blue keys.

Thus, access of persons who hold a regular key to the door may be prevented for as long as the person in charge wishes, without the troublesome procedures of replacing the cylinder or collecting all keys. Access may also be restored easily at any time, at the turn of a green key.

TLO is available in Mul-T-Lock's telescopic pin platforms, Classic and Interactive+.

Some suggested applications:

- Making a shop inaccessible to employees over the weekend.
- Making a storeroom inaccessible to company employees when sensitive equipment is in storage.



Construction master cylinder

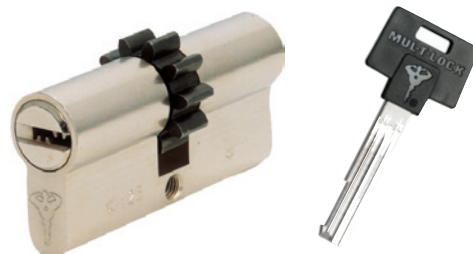
Mul-T-Lock has developed a new-concept High Security construction master cylinder, that provides construction contractors with maximum convenience, while ensuring peace of mind for new property owners.

Contractors using the new product enjoy control of all apartments on the construction site - or even on several sites - with one master key.

Each cylinder in the system also has an owner key, provided to the owner when he/she moves into the apartment.

At this time a technician turns a special change key in the cylinder, disabling the contractor's master key. This procedure is not reversible.

This creative new solution is fully contained in the cylinder itself and requires no supplementary devices.



Special Cylinder Features

Reinforced cylinder

Enhanced resistance to breaking attempts.



Emergency cylinder

Operated with keys inserted and rotated on opposite sides, enabling both sides to be permanently operational.



Break Secure cylinder

Patented Euro profile cylinder, specially developed by Mul-T-Lock to meet a specific need: enhancing resistance to manipulation attacks. Unlike ordinary cylinders that tend to break in the middle when manipulated, allowing the door to be opened by attacker Break Secure snaps at the front. This keeps the door locked and the burglars outside, and permits the owners to open the cylinder with their original Mul-T-Lock keys when they return.



Anti-ligature thumbturn with external override

Innovative thumbturn with emergency override mechanism, specially designed to address the risk of self-harm within psychiatric and probationary type accommodation facilities.

Allows occupant privacy, while enabling immediate access for medical or supervisory staff if necessary.



Cylinder Accessories

Thumbturn range



Ellipse thumbturn



Oval thumbturn



Round thumbturn

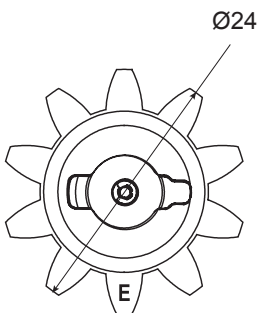
Anti-ligature thumbturn



Standard thumbturn

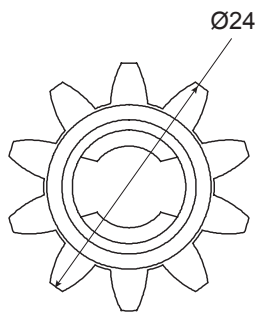


Cogwheels (diameter in mm)



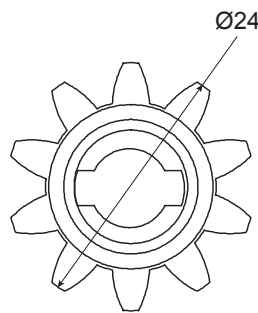
Z=10
m=2

P/N 82600280



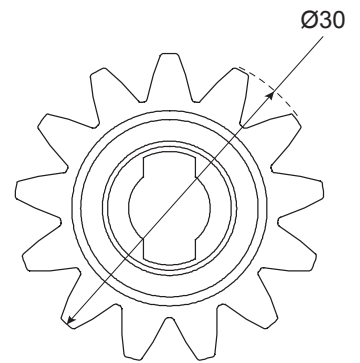
Z=10
m=2

P/N 80000461



Z=10
m=2

P/N 80001081



Z=13
m=2

P/N 89100011



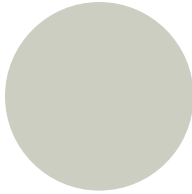
Cylinder Cams

Options Available (mm)

<p>P/N 83600002</p>	<p>P/N 81200002</p>	<p>P/N 81200100</p>	<p>P/N 81200004</p>	<p>P/N 81200007</p>
<p>P/N 83600003</p>	<p>P/N 81200022</p>	<p>P/N 81200009</p>	<p>P/N 81200012</p>	<p>P/N 81200013</p>
<p>P/N 83600004</p>	<p>P/N 81200014</p>	<p>P/N 81200015</p>	<p>P/N 81200018</p>	<p>P/N 81200019</p>
<p>P/N 85700003</p>	<p>P/N 86101002</p>	<p>P/N 82400004</p>	<p>P/N 83003010</p>	<p>P/N 83003011</p>
<p>P/N 85600004</p>	<p>P/N 81700003</p>	<p>P/N 82600260</p>	<p>P/N 80002278</p> <p>Split cam</p>	<p>P/N 80002285</p> <p>TT split cam</p>

Cylinder Finishes

Standard finishes



Nickel Satin (NST)



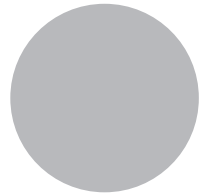
Electroplated Brass (EB/CB)
US4
BHMA606



Nickel Chrome Matt (NCM)
US26D
BHMA626



Shiny Brass (SB)
US3
BHMA605



Nickel Chrome (NC)
US26
BHMA625

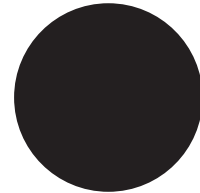
Special finishes



Dark (10B)
US10B
BHMA613



Antique Brass (ABP)
US5
BHMA609



Black
US19
BHMA631



SBH



PVD



Antique Bronze (ABZ)

Note

- The colors above are for reference only and can vary from the original.
- Certain finishes are available on particular products only.
- Delivery times may vary according to type of finish.



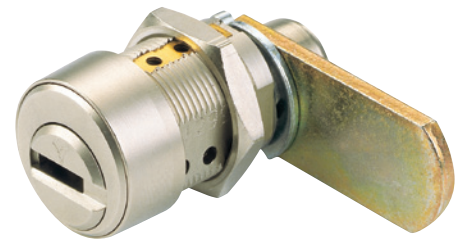
www.mul-t-lock.com



LOCKS

Cam Lock

Ø19 mm (¾")



Applications

Mul-T-Lock cam locks are available in various sizes, making them suitable for a wide range of applications: cabinets, drawers, parking meters, lockers, cash boxes, payphones etc.

Operation

Retaining: 90°, 180° cam rotation
 Non-retaining: 90° cam rotation
 Adjustable for clockwise or counter-clockwise operation.

Materials

Body, plug and ring: brass
 Cam: steel
 Pins: nickel silver and stainless steel

Standard finishes

Nickel satin, brass

Cylinder mechanism

Mul-T-Lock's unique, high precision pin tumbler system.

Keys

Reversible nickel silver key with plastic key head and colored insert for identification. Also available in all nickel silver.

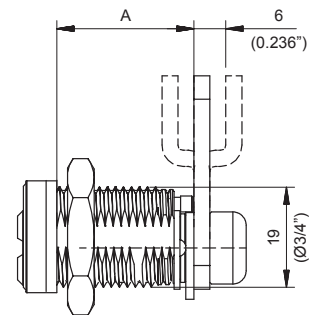
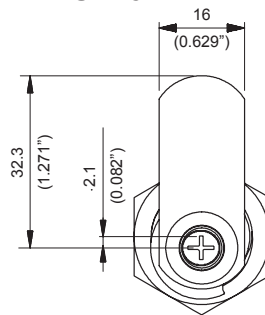
Cylinder options

- Classic, Interactive+ platforms
- Keyed different, keyed alike
- Master keyed
- Variety of cams

Standard

UL 437

Retaining key

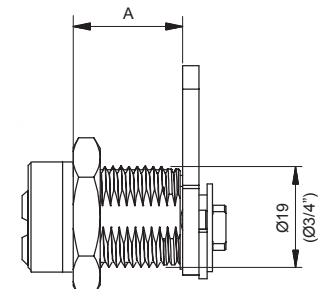
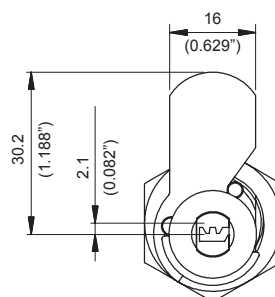


Retaining key hardware set:

- 1 flat cam
- 1 offset cam
- 1 spacer ring 3.4 mm
- 1 spacer ring 9.4 mm
- 1 plate for wood application

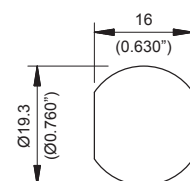
	A	Spacer	Chambers
Inch	5/8"	9.5	4
mm	15.9		
Inch	7/8"	N/A	4
mm	22.2		
Inch	7/8"	Included in set	5
mm	22.2		
Inch	1 1/8"	Included in set	5
mm	28.6		
Inch	1 1/2"	Included in set	5
mm	38.1		

Non-retaining key



Non-retaining hardware set:

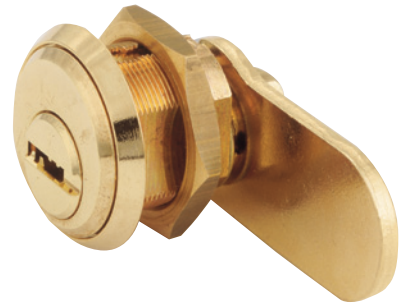
- 1 flat cam
- 1 spacer ring 3.4 mm
- 1 spacer ring 8.0 mm
- 1 plate for wood application



Opening required for installation

Cam Lock

Ø22 mm (7/8")



Applications

Mul-T-Lock cam locks are available in various sizes, making them suitable for a wide range of applications: cabinets, drawers, parking meters, lockers, cash boxes, payphones etc.

Operation

90° cam rotation. Adjustable for clockwise or counter-clockwise operation.

Materials

Body, plug and ring: brass
 Cam: steel
 Pins: nickel silver and stainless steel

Standard finishes

Nickel satin, brass

Cylinder mechanism

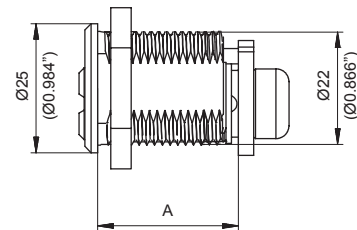
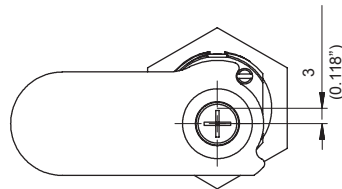
Mul-T-Lock's unique, high precision pin tumbler system.

Keys

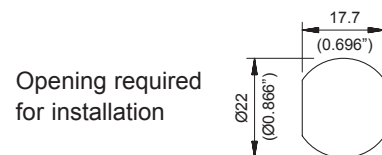
Reversible nickel silver key with plastic key head and colored insert for identification. Also available in all nickel silver.

Cylinder options

- Classic, Interactive+, MT5® platforms
- Keyed different, keyed alike
- Master keyed
- '3 IN 1' (changeable combination)

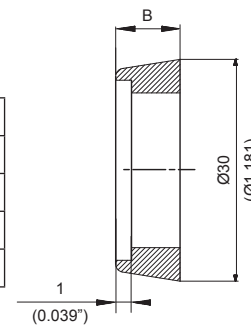


	mm	Inch	Chambers
A	22.5	0.885	4
	27.3	1.075	5
	38.3	1.5	5

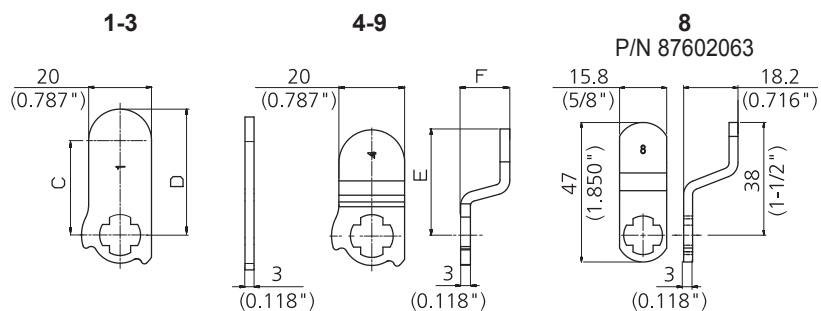


Spacer ring

	mm	Inch
B	2	0.078
	3	0.118
	4	0.157
	8	0.275



Cams available



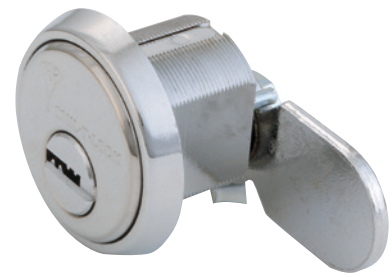
P/N	C	D	Marking
87602005	30	40	1
87602126	44	54	2
51056090	90	100	3

P/N	E	F	Cam
87602129	32	15	4
87602174	27.8	15	5
87602171	35.3	11.7	6
87602187	27.8	18	9



Cam Lock

Ø29 mm (1 1/8")



Applications

Mul-T-Lock cam locks are available in various sizes, making them suitable for a wide range of applications.

Operation

90° cam rotation. Adjustable for clockwise or counter-clockwise operation.

Materials

Body, plug and ring: brass
Cam: steel
Pins: nickel silver and stainless steel

Standard finish

Nickel chrome matt, shiny brass, nickel chrome

Special finishes

Antique brass

Cylinder mechanism

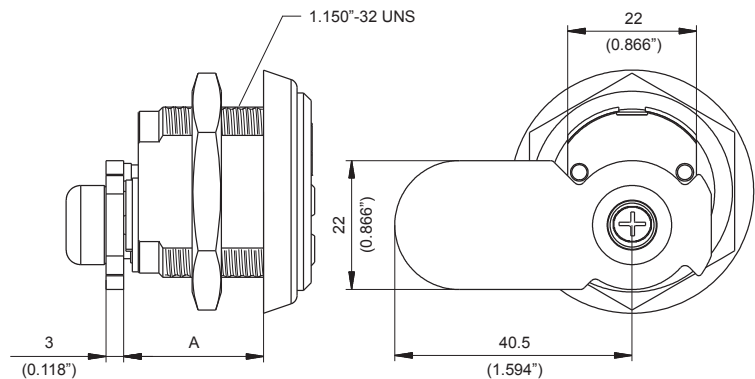
Mul-T-Lock's unique, high precision pin tumbler system.

Keys

Reversible nickel silver key with plastic key head and colored insert for identification. Also available in all nickel silver.

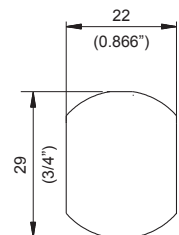
Cylinder options

- Classic, Interactive+, MT5® platforms
- Keyed different, keyed alike
- Master keyed
- '3 IN 1' (changeable combination)



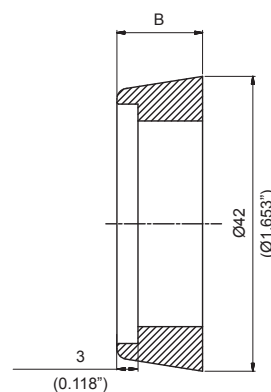
	mm	Inch	Chambers
A	24	0.994	4
	28.8	1.133	5

Opening required for installation

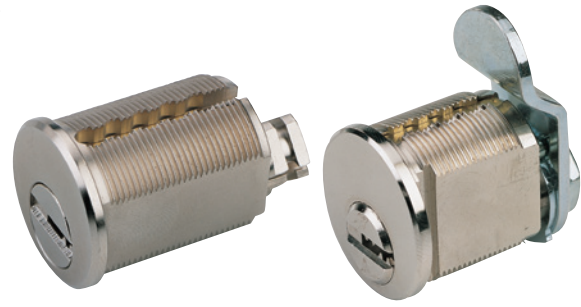


Spacer ring (standard mortise ring)

	mm	Inch
B	5.7	0.224
	8.9	0.350
	12.2	0.480
	15.5	0.610



Cam Lock for Mail Box



Application

Cam lock for mail boxes.

Operation

90° cam rotation. Adjustable for clockwise or counter-clockwise operation.

Materials

Body, plug and ring: brass

Cam: steel

Pins: nickel silver and stainless steel

Standard finish

Nickel satin

Cylinder mechanism

Mul-T-Lock's unique, high precision pin tumbler system.

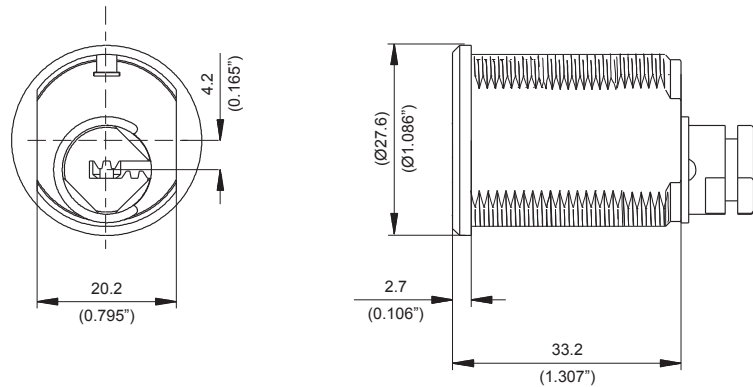
Keys

Reversible nickel silver key with plastic key head and colored insert for identification. Also available in all nickel silver.

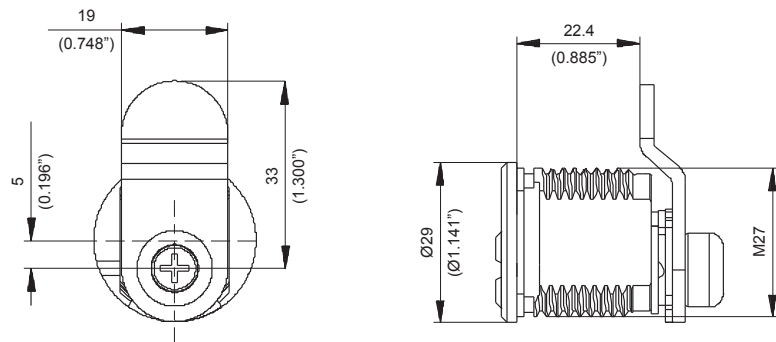
Cylinder options

- Classic, Interactive+ platforms
- Keyed different, keyed alike,
- Master keyed
- '3 IN 1' (changeable combination)

Cam lock for "Norwegian" type mail box



Cam lock for "Danish" type mail box



Lock for Key Deposit Box

Application

Lock for key deposit box.

Operation

90° cam rotation by operating key.

Materials

Body and plug: brass

Cam and housing: steel

Pins: nickel silver and stainless steel

Standard finish

Nickel satin

Cylinder mechanism

Mul-T-Lock's unique, high precision pin tumbler system.

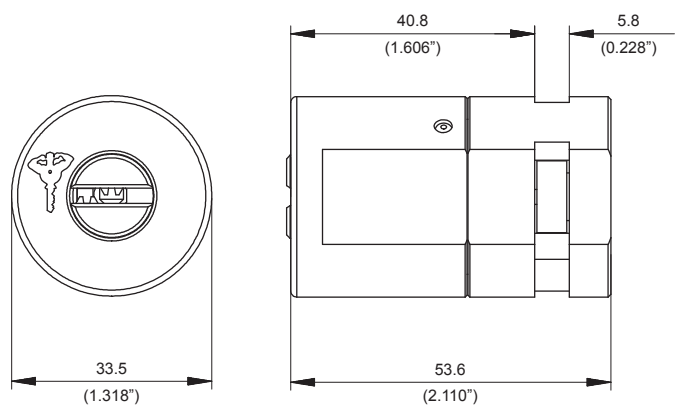
Keys

Reversible nickel silver key with plastic key head and colored insert for identification. Also available in all nickel silver.

Cylinder options

- Classic, Interactive+, MT5® platforms
- Keyed different, keyed alike
- Master keyed
- '3 IN 1' (changeable combination)

Lock and housing



Available as a set of lock and housing, or lock only (retrofit for Abloy locks).

Lock for “Lips” Type Key Deposit Box



Application

Lock for “Lips” type key deposit boxes.

Operation

90° cam rotation by operating key.

Materials

Body and plug: brass

Cam: steel

Pins: nickel silver and stainless steel

Standard finish

Nickel satin

Cylinder mechanism

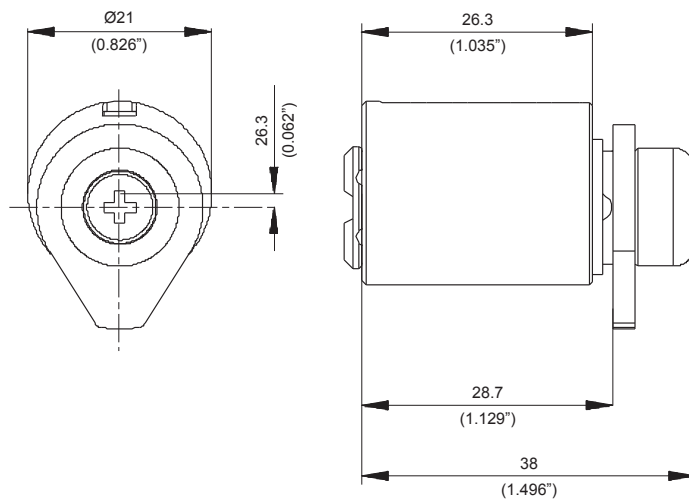
Mul-T-Lock’s unique, high precision pin tumbler system.

Keys

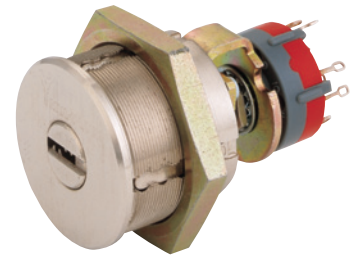
Reversible nickel silver key with plastic key head and colored insert for identification. Also available in all nickel silver.

Cylinder options

- Classic, Interactive+ platforms
- Keyed different, keyed alike
- Master keyed



Switch Lock for Alarm System



Application

Key control for electrical circuits for alarm systems.

Operation

See Table.

Materials

Body, plug and ring: brass
 Cam: steel
 Pins: nickel silver and stainless steel

Standard finishes

Nickel satin, brass

Cylinder mechanism

Mul-T-Lock's unique, high precision pin tumbler system.

Keys

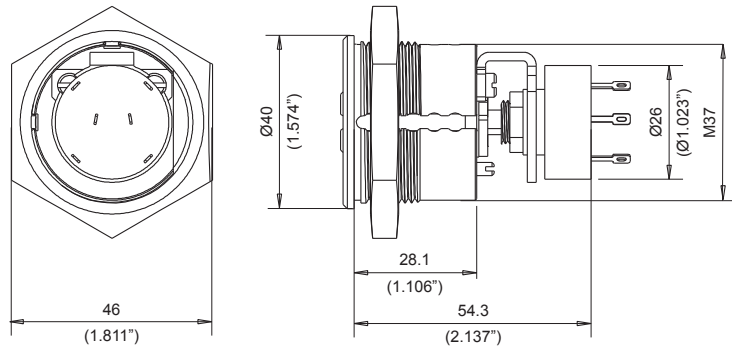
Reversible nickel silver key with plastic key head and colored insert for identification. Also available in all nickel silver.

Cylinder options

- Classic, Interactive+ platforms
- Keyed different, keyed alike
- Master keyed
- '3 IN 1' (changeable combination)

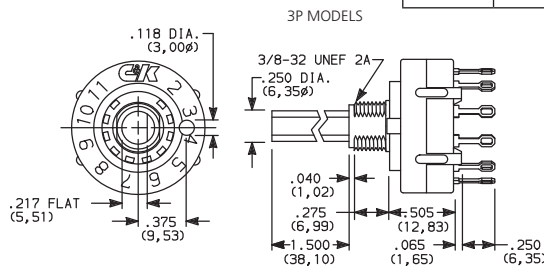
Standards

UL437, ISI 950



Key rotation	90°
Key removal	0°, 90°
Option	2 or 4 positions

30° indexing			
No. Poles	Model no.	Switch function	Terminals
DP	A204	4 positions	A,C,1-4,7-10
90° indexing			
No. Poles	Model no.	Switch function	Terminals
DP	A214	2 positions	A,C,1,4,7,10

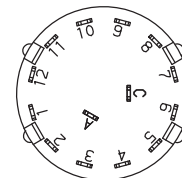


Switch specifications

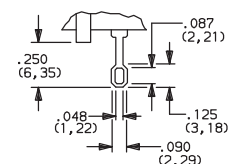
Type: C&K components 204, 214
 Switch: 2.5 AMPS @125 VAC;
 350 mA @ 125 VDC (UL/CSA)
 Carry: 5 AMPS continuous
 Electrical life: 15,000 make-and-break cycles at full load up to 300,000 detente operations
 Insulation resistance: 10⁹ Ω min
 Dielectric strength: 1,000 VRMS min @ sea level
 Contact resistance: Below 20 mΩ typ. Initial @ 2-4 VDC, 100 mA

TERMINAL NUMBERS

Terminal numbers molded on bottom of housing.



(STD.) SOLDER LUG



Switch Lock

Ø19 mm (¾"), Ø22 mm (7/8"), Ø29 mm (1 1/8")



Application

Key control for electrical circuits.

Operation

See Table.

Materials

Body, plug and rings: brass

Cam: steel

Pins: nickel silver and stainless steel

Standard finishes (Ø19, Ø22)

Nickel satin, brass

Standard finish (Ø29)

Nickel chrome matt, shiny brass, nickel chrome

Special finishes (Ø29)

Antique brass, antique bronze

Cylinder mechanism

Mul-T-Lock's unique, high precision pin tumbler system.

Keys

Reversible nickel silver key with plastic key head and colored insert for identification. Also available in all nickel silver.

Cylinder options

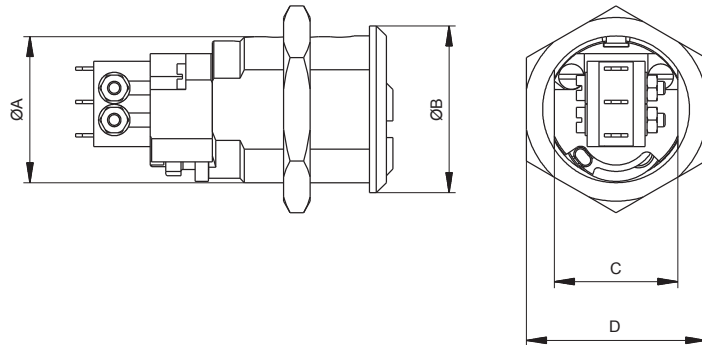
- Classic, Interactive+ platforms
- MT5® platform for Ø22, Ø29 switch locks
- Keyed different, keyed alike
- Master keyed

Standards

- UL437 - pick and drill resistance
- SII 950 - burglary resistance

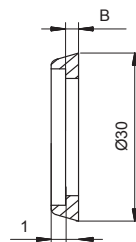
Burgess F4T6 switch specification

- Contacts: fine silver
- Terminals: 2.0 mm faston
- Temperature range: -40°C to +85°C
- Mechanical life: 10⁷ cycles minimum (impact free actuation)
- Protection type: enclosure – IP40



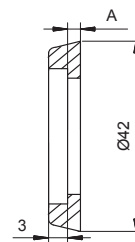
	Ø19				Ø22				Ø29			
Key rotation	90° or 360°				90° or 360°				90° or 360°			
Key removal	0° or 360°				0° or 360°				0° or 360°			
Electrical operation	Normally open/closed Momentary/permanent				Normally open/closed Momentary/permanent				Normally open/closed Momentary/permanent			
Cylinder dimensions	ØA	B	C	D	ØA	B	C	D	ØA	B	C	D
mm	19	22	16	25.4	22	25	18.5	27	29	33.8	26	35
Inch	3/4	7/8	5/8	1	7/8	1	11/16	11/16	13/8	15/16	1	13/8

Ring for Ø22
(standard cam Ø22 ring)



	mm	Inch
B	1	0.04
	6	0.236

Ring for Ø29
(standard mortise ring)



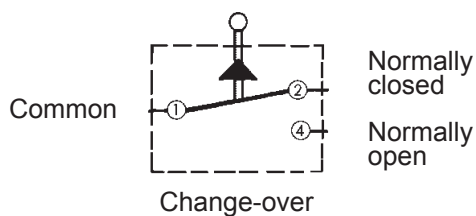
	mm	Inch
A	5.7	0.022
	8.9	0.35
	12.2	0.48
	15.5	0.61



Switch Lock

Ø19 mm (¾"), Ø22 mm (⅞"), Ø29 mm (1⅛")

Circuit diagram F4 T6



Recommended max. electrical ratings		
Voltage (VAC)	Resistive load (A)	Inductive load (A)
125	5	5
250	5	5

Recommended max. electrical ratings		
Voltage (VDC) up to	Resistive load (A)	Inductive load (A)
30	5	5
50	2	2
75	1	1
125	0.5	0.06
250	0.25	0.03

Multi-Bolt Locking for Cabinet



Application

Multipoint locking for cabinets.

Operation

90° cam rotation by operating key.
Directly linked to cam and bolts.
Adjustable for clockwise or counter-clockwise operation.

Options

Solid spacer ring, available in different thicknesses.

Materials

Body, plug and ring: brass
Cam: steel
Bolts & support: zinc-plated steel
Pins: nickel silver and stainless steel

Standard finishes

Antique brass, antique bronze, nickel chrome, shiny brass

Cylinder mechanism

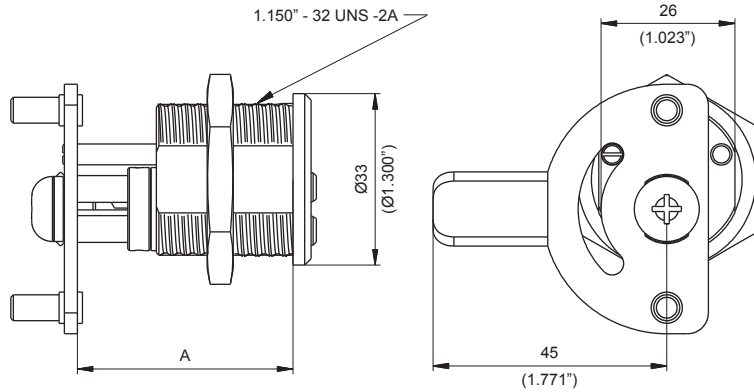
Mul-T-Lock's unique high precision pin tumbler system.

Keys

Reversible nickel silver key with plastic key head and colored insert for identification. Also available in all nickel silver.

Cylinder options

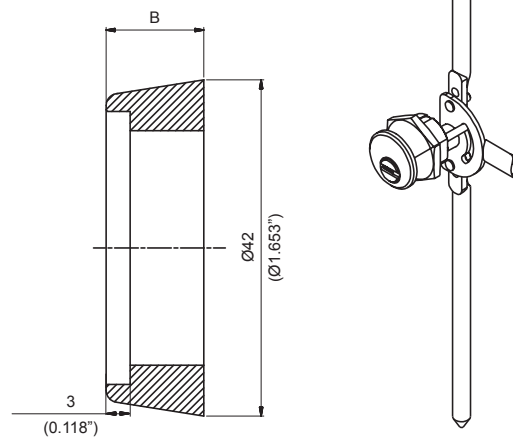
- Classic, Interactive+, MT5® platforms
- Keyed different, keyed alike
- Master keyed
- '3 IN 1' (changeable combination)



	mm	Inch	
A	37	1.45	4
	40	1.57	5

Spacer ring (standard mortise ring)

	mm	Inch
B	5.7	0.22
	8.9	0.35
	12.2	0.48
	15.5	0.61



Drawer Deadlock



Application

Securing drawers and small cabinets.

Operation

90° rotation by operating key

Lazy mechanism

Available with key retaining by special order.

Materials

Body and plug: brass

Lock case: steel

Dead bolt: brass

Pins: nickel silver and stainless steel

steel

Standard finishes

Brass, nickel satin, shiny brass

Cylinder mechanism

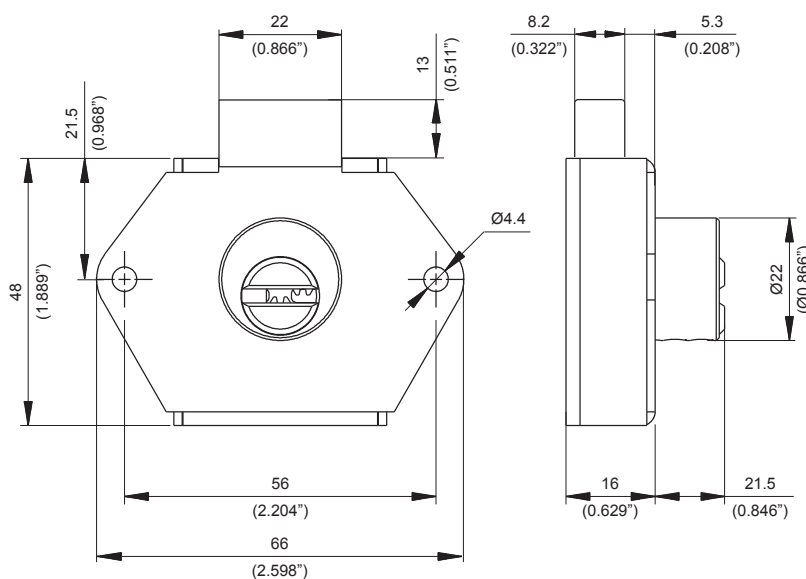
Mul-T-Lock's unique high precision pin tumbler system.

Keys

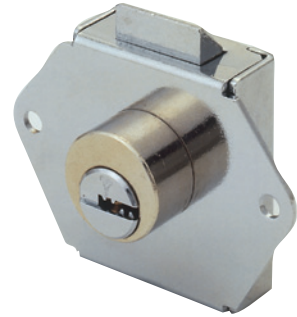
Reversible nickel silver key with plastic key head and colored insert for identification. Also available in all nickel silver.

Cylinder options

- Classic, Interactive+ platforms
- Keyed different, keyed alike
- Master keyed.



Drawer Latch Lock



Application

Securing drawers and small cabinets.

Operation

- 45° rotation by operating key
- Slam locking mechanism

Options

Two latch sizes available.

Materials

Body and plug: brass
 Lock case: steel
 Latch: cast zinc alloy
 Pins: nickel silver and stainless steel

Standard finishes

Brass, nickel satin, shiny brass

Cylinder mechanism

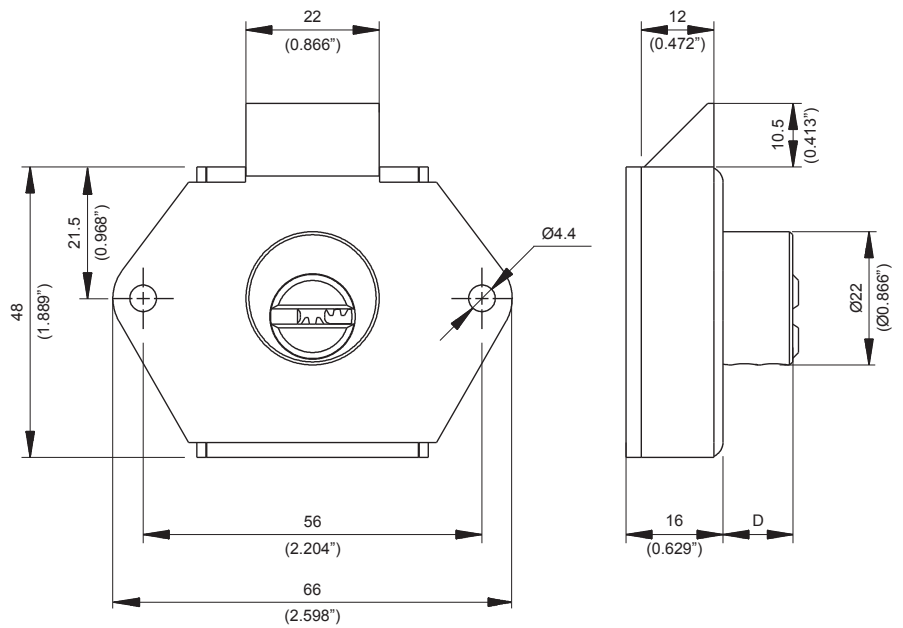
Mul-T-Lock's unique high precision pin tumbler system.

Keys

Reversible nickel silver key with plastic key head and colored insert for identification. Also available in all nickel silver.

Cylinder options

- Classic, Interactive+, MT5® platforms
- Keyed different, keyed alike
- Master keyed



Type		D	Chambers
Regular	mm	11.5	4
	Inch	0.452	
Heavy duty	mm	21.5	5
	Inch	0.846	



Push Lock



Application

Mounted into 29 mm hole for securing sliding units (e.g. sliding glass doors). Suitable for various door thicknesses.

Operation

- Push to lock
- 90° rotation by operating key releases spring loaded locking pin
- Slam locking mechanism

Options

Bolt can be spring loaded/locked.

Materials

Body and plug: brass
Housing: aluminium
Pins: nickel silver and stainless steel

Standard finish

Nickel chrome

Cylinder mechanism

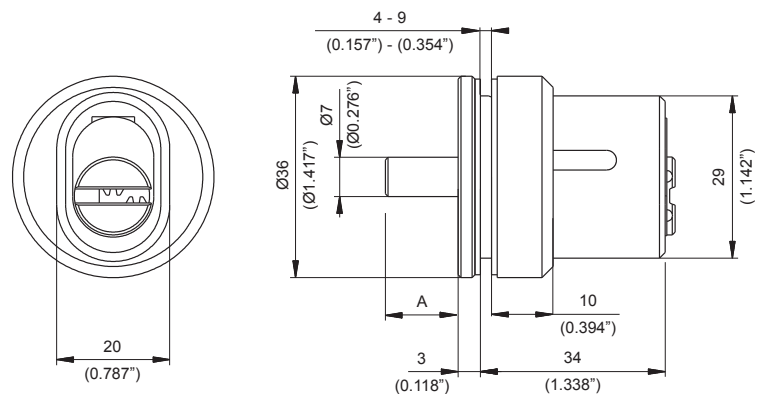
Mul-T-Lock's unique high precision pin tumbler system.

Keys

Reversible nickel silver key with plastic key head and colored insert for identification. Also available in all nickel silver.

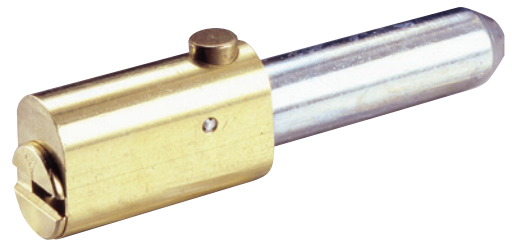
Cylinder options

- Classic, Interactive+ platforms
- Keyed different, keyed alike
- Master keyed
- '3 IN 1' (changeable combination)



	mm	Inch
A	14	0.55
	20	0.78
	25	0.98
	32	1.26

Bullet Lock



Application

Securing vertical roller shutters.

Operation

Rotate 90° by operating key and push lock into existing housing or shutter channel.

Option

Bolt can be spring loaded/locked.

Materials

Body and plug: brass

Locking pin: steel

Pins: nickel silver and stainless steel

Standard finish

Brass, nickel satin

Cylinder mechanism

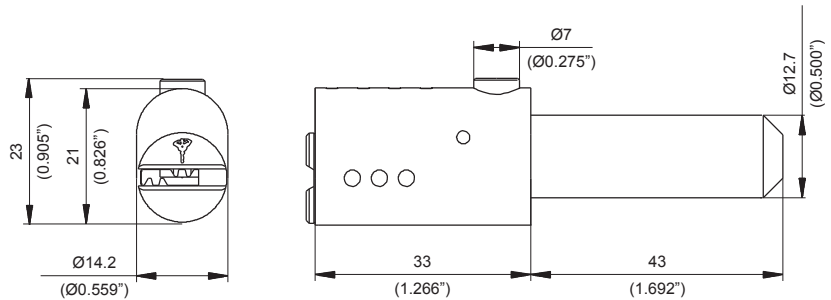
Mul-T-Lock's unique high precision pin tumbler system.

Keys

Reversible nickel silver key with plastic key head and colored insert for identification. Also available in all nickel silver.

Cylinder options

- Classic, Interactive+ platforms
- Keyed different, keyed alike
- Master keyed
- '3 IN 1' (changeable combination)



T-Handle Lock



Application

Securing vending machines with standard T-handle.

Operation

Rotate key 90° to unlock.

Materials

Body and plug: brass

Locking pin: hardened steel

Pins: nickel silver and stainless steel

Standard finish

Nickel satin

Cylinder mechanism

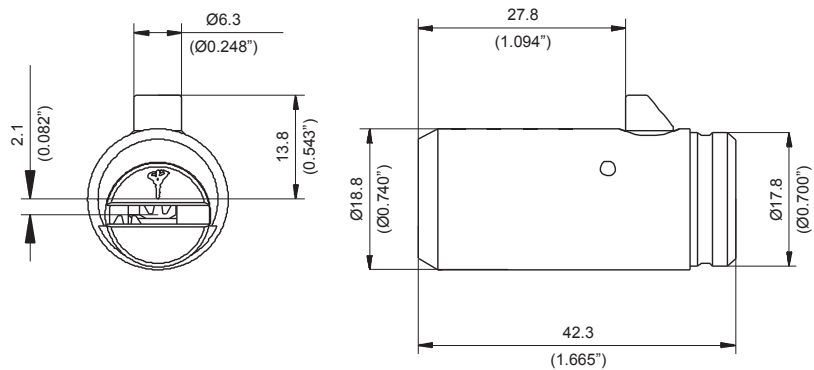
Mul-T-Lock's unique, high precision pin tumbler system.

Keys

Reversible nickel silver key with plastic key head and colored insert for identification. Also available in all nickel silver.

Cylinder options

- Classic, Interactive+ platforms
- Keyed different, keyed alike
- Master keyed



File Cabinet Lock



Application

Locking file cabinets.

Operation

- Push to lock.
- Rotate 90° left or right to unlock.

Options

Bolt can be spring loaded/locked.

Materials

Body and plug: brass

Pins: nickel silver and stainless steel

Standard finishes

Nickel satin, brass

Cylinder mechanism

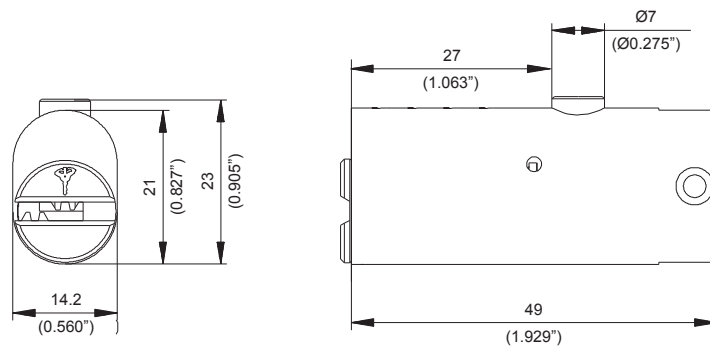
Mul-T-Lock's unique high precision pin tumbler system.

Keys

Reversible nickel silver key with plastic key head and colored insert for identification. Also available in all nickel silver.

Cylinder options

- Classic, Interactive+ platforms
- Keyed different, keyed alike
- Master keyed
- '3 IN 1' (changeable combination)



Gas Tank Lock



Application

Securing gas pipes with thread or bayonet fixing (e.g. propane gas containers, tankers, etc.)

Operation

- 45° key rotation
- Slam locking mechanism

Materials

Body and plug: brass

Pins: nickel silver and stainless steel

Standard finish

Black

Cylinder mechanism

Mul-T-Lock's unique, high precision pin tumbler system.

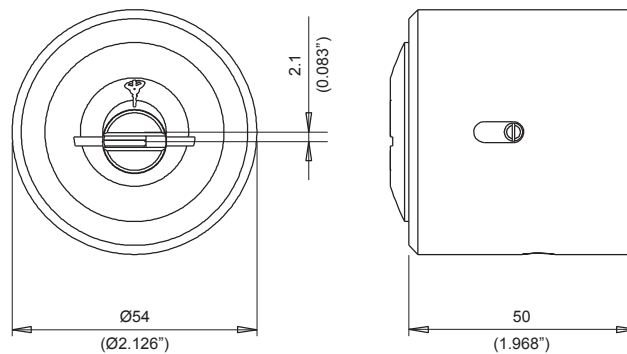
Keys

Reversible nickel silver key with plastic key head and colored insert for identification. Also available in all nickel silver.

Cylinder options

- Classic, Interactive+ platforms
- Keyed different, keyed alike
- Master keyed
- '3 IN 1' (changeable combination)

A minimum quantity is required.
Please call for pricing.



M-60 Mortise Deadlock



Application

Single point deadlocking operated by Euro profile cylinder.

Operation

2 x 360° key rotation fully extends the bolt.

Materials

Mechanism and case: steel

Bolt: brass, reinforced with steel inserts

Cylinder protector: hardened steel

Standard finishes

Nickel, shiny brass

Cover plate color: white, brown

Cylinder mechanism

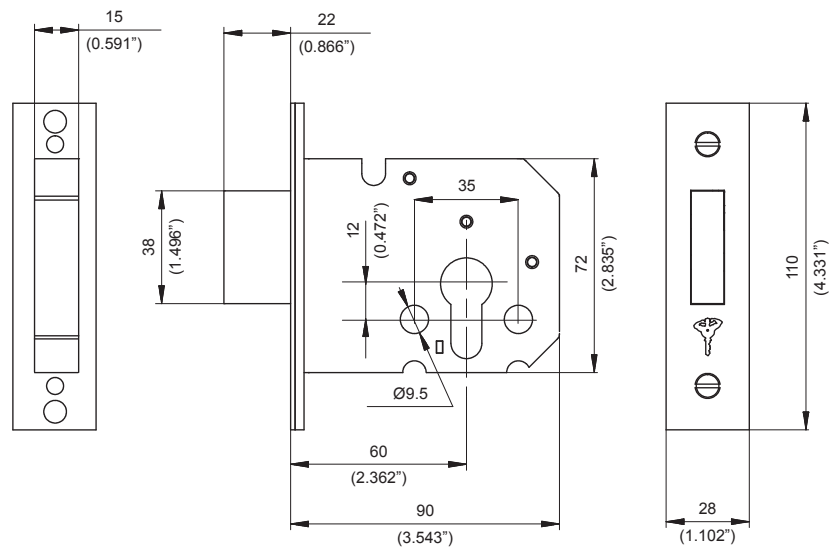
Mul-T-Lock's unique high precision pin tumbler system.

Keys

Reversible nickel silver key with plastic key head and colored insert for identification. Also available in all nickel silver

Cylinder option

Euro profile cylinder



A minimum quantity is required. Please call for pricing.



Plunger Lock



Application

Securing cabinet sliding doors.
Suitable for wood, metal and glass doors.

Features

- Spring-loaded pop-out cylinder, complete with an interlocking butterfly tail piece
- Easily switched from a key-retaining to a non-key-retaining configuration
- Easy re-keying to the desired key combination

Operation

90° turn to lock/unlock.

Standard finishes

Nickel satin.

Cylinder mechanism

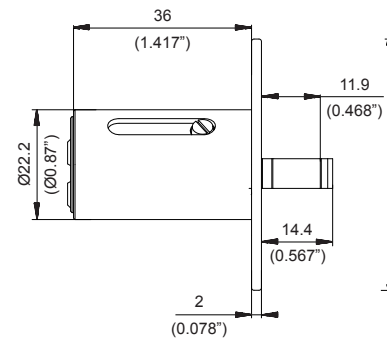
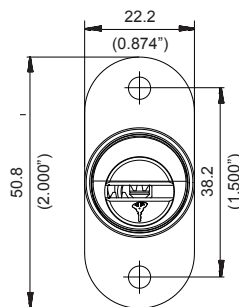
Mul-T-Lock's unique high precision pin tumbler system.

Keys

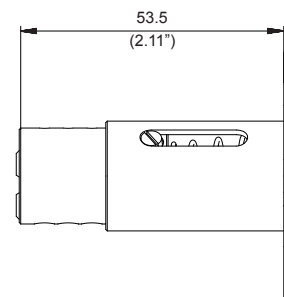
Reversible nickel silver key with plastic key head and colored insert for identification. Also available in all nickel silver.

Cylinder options

- Classic, Interactive+ platforms
- Keyed different, keyed alike
- Master keyed



Locked position



Unlocked position

Hercular® Deadbolt



Double cylinder



Single cylinder with thumbturn

Application

High Security deadbolt system for commercial and residential doors.

Operation

90° key rotation throws the bolt 1" toward the frame, interlocking two hardened ball bearings with the strike to increase jimmying resistance.

Materials

Ring and cylinder: solid brass
 Bolt anti drilling ring: hardened steel
 Strike: steel
 Pins: nickel silver and stainless steel

Standard finish

Nickel chrome matt, nickel chrome, PVD

Special finish

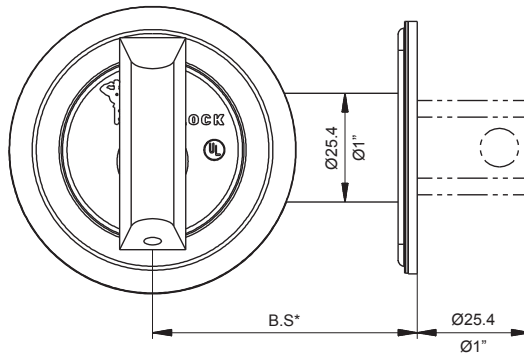
Antique brass, 10B

Lifetime finishes

US3, US26, US26D, US5A, US10B6

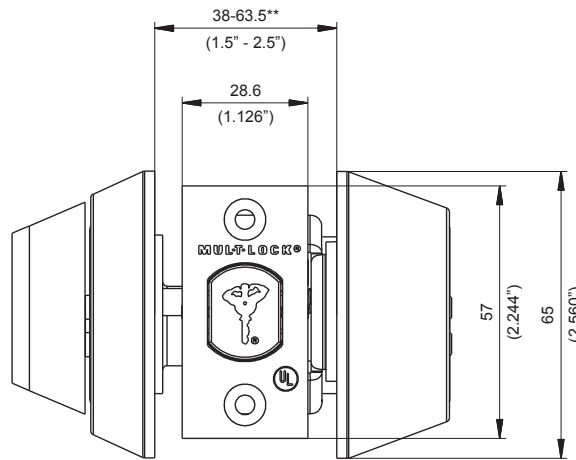
Additional features

- Suitable for two backsets, no need for different parts.
- Easy and friendly to install.
- Easy conversion between standards and drive-in.
- The changeable faceplate has an expanded angle for installation on bevelled doors.
- Supplied as standard with 1" (25 mm) throw.
- Optional as double or single cylinder.
- Thumbturn tail self-adjustable to door thickness.
- Option for captive key deadbolt
- Thumbturn can be set horizontally or vertically in locked position.



	B.S*
Inch	2 ³ / ₈
mm	60
Inch	2 ³ / ₄
mm	70

*Adjustable backset



**Door thickness (spacers required for doors less than 38 mm thick)



Hercular® Deadbolt

Cylinder mechanism

Mul-T-Lock's unique, high precision pin tumbler system.

Keys

Reversible nickel silver key with plastic key head and colored insert for identification. Also available in all nickel silver.

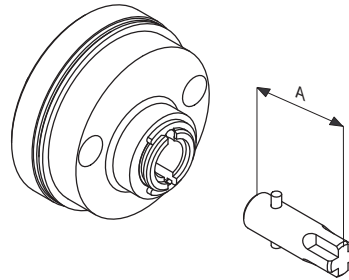
Cylinder options

- Classic, Interactive+, MT5® platforms
- Keyed different, keyed alike
- Master keyed
- '3 IN 1' (changeable combination)

Standards

- UL437 - pick and drill resistance
- UL - fire rated bolt
- Conforms to ANSI GRADE 1

Hercular thumbturn tails



Door thickness		A		Tail P/N
Inch	mm	Inch	mm	
Up to 2	Up to 50.8	0.92	23.5	22900271
2 - 2.5	50.8-63.5	1.22	31	22900275
2.5 - 3	63.5-76.2	1.5	38.5	22900276

Captive deadbolt



Can be altered by the user to function as a double or single cylinder deadbolt.

Cronus



Application

Provide protection for residential and commercial doors.

Features

- Single cylinder (with thumbturn) or double cylinder
- Robust cylinder protector
- Steel core rosettes
- Stylish design
- Easy and convenient Installation using Mul-T-Lock installation jig

Operation

High Security k.i.k. cylinder

Specifications

- Locking bolt reinforced with hardened steel insert
- Full 1" (25 mm) bolt throw
- Adjustable backset:
2 $\frac{3}{8}$ " (60 mm) or 2 $\frac{3}{4}$ " (70 mm)
- Door thickness:
1 $\frac{3}{8}$ " (35 mm) to 1 $\frac{3}{4}$ " (45 mm)

Standard finishes

PVD-Gold, polished stainless steel (US32), brushed stainless steel (US32D).

Cylinder mechanism

Mul-T-Lock's unique, high precision pin tumbler system.

Keys

Reversible nickel silver key with plastic key head and colored insert for identification. Also available in all nickel silver.

Cylinder options

- Classic, Interactive+ platforms
- Keyed different, keyed alike
- Master keyed



Showcase Lock



Application

Securing sliding glass doors of cabinets, cupboards and display cases.

Options

- Version with wide opening and fixing screw accommodates up to 8 mm glass thickness.
- Version without fixing screw accommodates up to 7 mm glass thickness.

Operation

Rotation of operating key activates locking mechanism.

Cylinder mechanism

Mul-T-Lock's unique, high precision pin tumbler system.

Keys

Reversible nickel silver key with plastic key head and colored insert for identification. Also available in all nickel silver.

Cylinder options

- Classic, Interactive+ platforms
- Keyed different, keyed alike
- Master keyed

Top-Guard®

Application

Protective cover for rim cylinders on residential, commercial and institutional doors. Drill and attack resistant for High Security needs.

Options

Supplied with rim cylinder

Operation

360° rotation of operating key activates locking mechanism.

Materials

Escutcheon plates: hardened steel with decorative cover
Cylinder body and plug: brass
Pins: nickel silver and stainless steel

Standard finish

Nickel satin, shiny brass

Cylinder mechanism

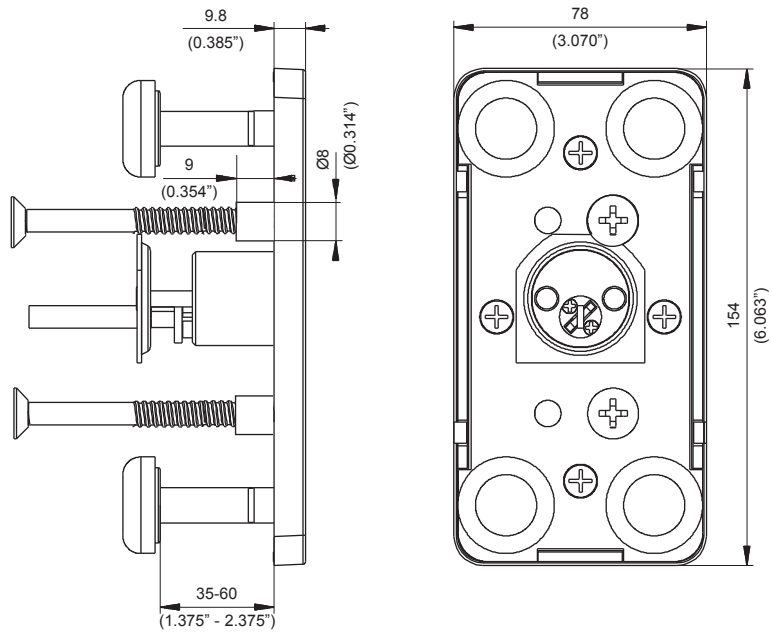
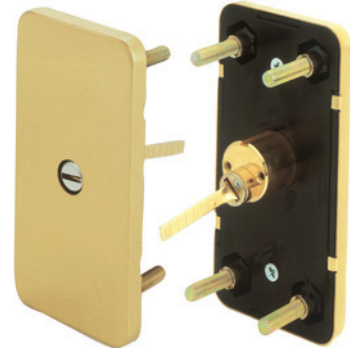
Mul-T-Lock's unique, high precision pin tumbler system.

Keys

Reversible nickel silver key with plastic key head and colored insert for identification. Also available in all nickel silver.

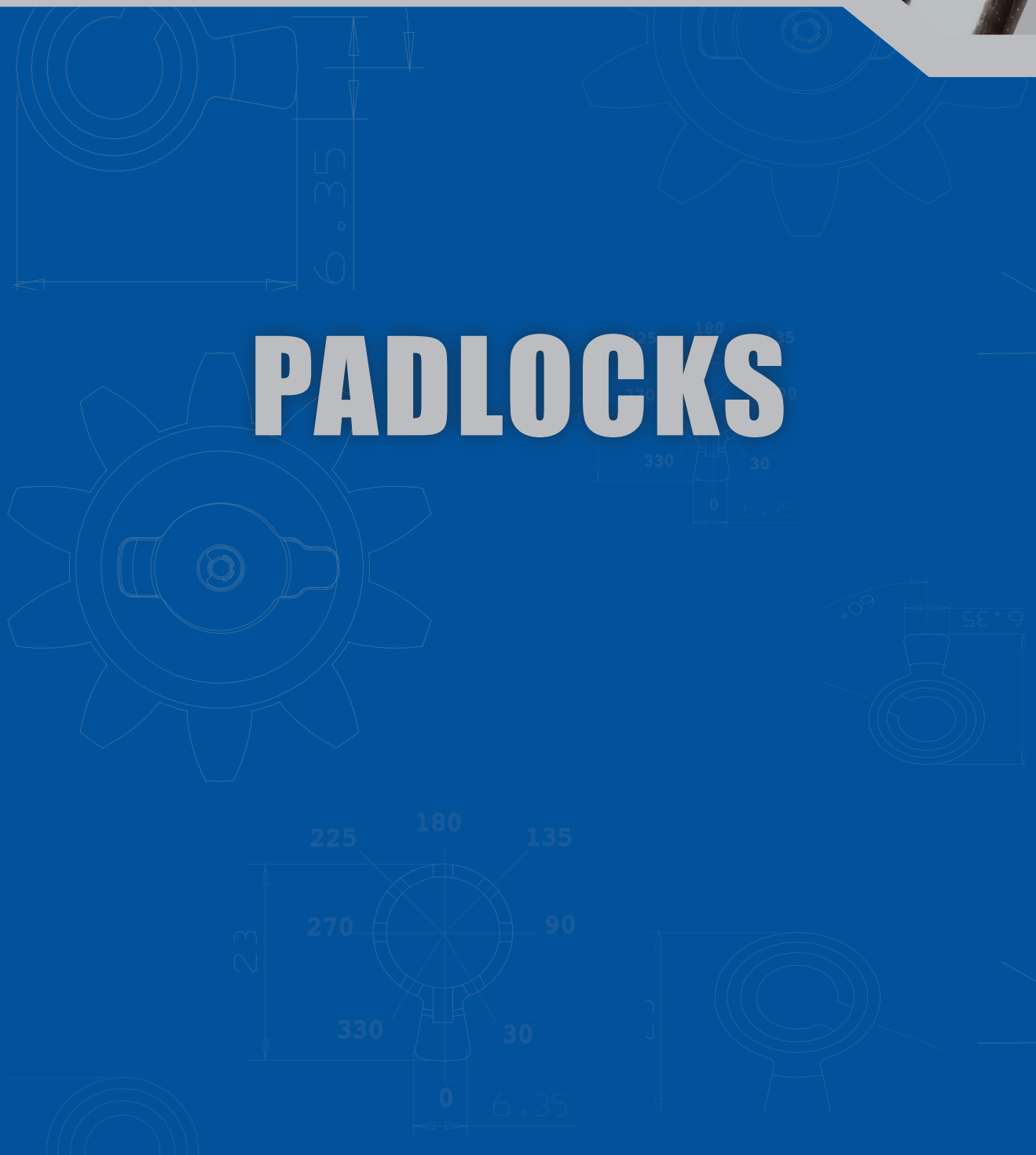
Cylinder options

- Classic, Interactive+, MT5® platforms
- Keyed different, keyed alike
- Master keyed





PADLOCKS



E-Series Padlock

Extra High Security

Low Upper Body



Application

Extra High Security padlock, for general use.

Operation

The shackle is locked by a double ball bearing mechanism. Rotate key 90° to unlock.

Option

Available with retained shackle.

Materials

Body: case hardened steel
Shackle: hardened boron alloy steel

Finish

Black electrophoretic

Additional features

- Rotating disk.
- Protective shutter prevents dust contamination.
- Drainage holes prevent freezing.
- Sealing around shackle may be ordered separately.

Cylinder mechanism

Mul-T-Lock's unique high precision pin tumbler system. Pick and drill resistant for High Security needs.

Keys

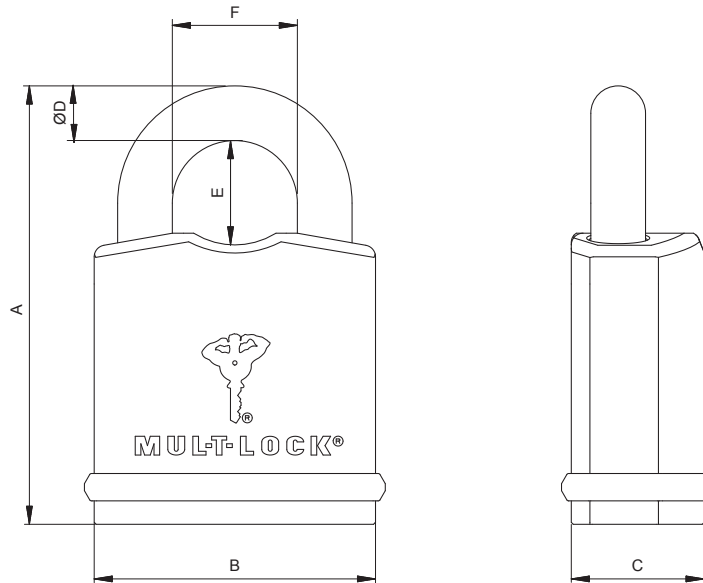
Reversible nickel silver key with plastic key head and colored insert for identification. Also available in all nickel silver.

Cylinder options

- Interactive+, MT5® platforms
- Keyed different, keyed alike
- Master keyed

Standards

CEN, ASTM



Model	Body						Shackle					Standard grades	
	A			B	C	D	E			F	CEN	ASTM	
	A1	A2	A3				E1	E2	E3				
E8-L	mm	87	115	165	52	33	8	22	50	100	26	4	3
	Inch	3.4	4.5	6.5	2.1	1.2	0.3	0.9	1.9	3.9	1.1		
E11-L	mm	97	130	167	62	34	11	26	59	96	29	4	4
	Inch	3.8	5.1	6.6	2.4	1.3	0.4	1.1	2.3	3.8	1.2		
E14-L	mm	105	136	180	72	34	14	26	57	101	32	6	5
	Inch	4.1	5.4	7.1	2.8	1.3	0.5	1.1	2.2	4	1.3		

E-Series Padlock

Extra High Security

High Upper Body - Protected



Application

Extra High Security padlock for general use.

Operation

The shackle is locked by a double ball bearing mechanism. Rotate key 90° to unlock.

Options

- High (protected) upper body
- Available with retained shackle

Materials

Body: case hardened steel

Shackle: hardened boron alloy steel

Finish: black electrophoretic

Additional features

- Rotating disk.
- Protective shutter prevents dust contamination.
- Drainage holes prevent freezing.
- Sealing around the shackle, can be ordered separately.

Cylinder mechanism

Mul-T-Lock's unique high precision pin tumbler system. Pick and drill resistant for High Security needs.

Keys

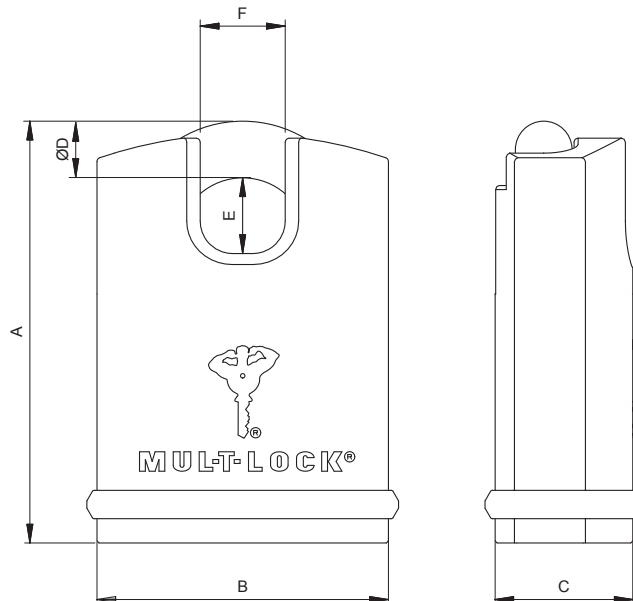
Reversible nickel silver key with plastic key head and colored insert for identification. Also available in all nickel silver.

Cylinder options

- Interactive+, MT5® platforms
- Keyed different, keyed alike
- Master keyed

Standards

CEN, ASTM



Model	Body			Shackle			Standard grades		
		A	B	C	D	E	F	CEN	ASTM
E8-H	mm	87	52	33	8	16	16	4	6
	Inch	3.4	2	1.2	0.3	0.6	0.6		
E11-H	mm	97	62	34	11	18	17	5	6
	Inch	3.8	2.4	1.3	0.4	0.7	0.7		
E14-H	mm	105	72	34	14	19	21	6	6
	Inch	4.1	2.8	1.3	0.5	0.7	0.8		



E-Series Padlock

Extra High Security

SBE - Sliding Bolt



Application

Extra High Security padlock for general use.

Operation

Rotate key 65° to unlock.

Options

- Different bolt diameters
- Different clearances

Materials

Body: case hardened steel
 Bolt: hardened boron alloy steel
 Finish: black electrophoretic

Additional features

- Rotating disk to resist drilling.
- Protective shutter to prevent dust contamination.
- Durable and corrosion-resistant.
- Spring loaded bolt for easy use.

Cylinder mechanism

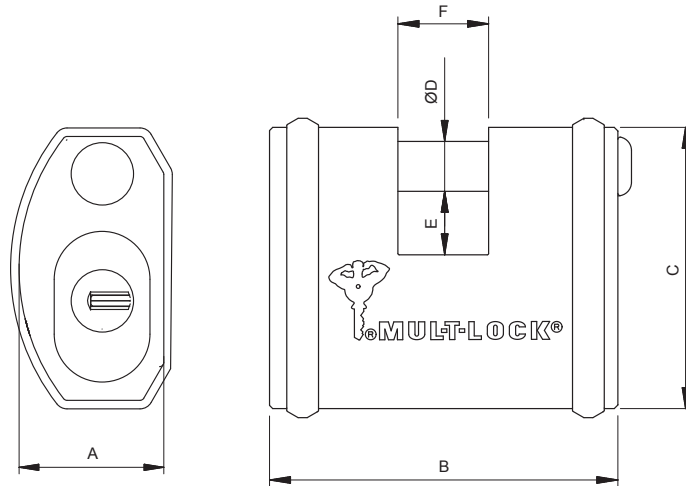
Mul-T-Lock's unique high precision pin tumbler system. Pick and drill resistant for High Security needs.

Keys

Reversible nickel silver key with plastic key head and colored insert for identification. Also available in all nickel silver.

Cylinder options

- Interactive+, MT5® platforms
- Keyed different, keyed alike
- Master keyed



Padlocks

Model number		Body			Bolt & Clearance			Standard Grade CEN
		A	B	C	D	E	F	
SBE 11 P	mm	34	77	62	11	14	20	4
	Inch	1.3	3	2.4	0.4	0.5	0.8	
SBE 11 R	mm	34	77	62	11	14	28	4
	Inch	1.3	3	2.4	0.4	0.5	1.1	
SBE 13 P	mm	34	86	72	13	15	25	5
	Inch	1.3	3.4	2.8	0.5	0.6	0.9	
SBE 13 R	mm	34	86	72	13	18.5	36	5
	Inch	1.3	3.4	2.8	0.5	0.7	1.4	

R- regular

C-Series Padlock

Professional High Security



Application

High Security padlock for general use.

Operation

Rotate key 55° - 65° to unlock.

Options

- Removable shackle with non-retaining key
- Pop-open shackle with retaining key (key needed for closing)
- Variety of shackle clearances
- Black or nickel finish
- Added Mul-T-Lock hasp
- Added shackle protector

Materials

Shell: hardened steel

Core: black plated solid brass

Shackle: hardened boron alloy steel.

Finish

- Black electrophoretic
- Chrome nickel bright

Additional features

- Protective shutter prevents dust contamination.
- Drainage holes prevent freezing.

Cylinder mechanism

Mul-T-Lock's unique high precision pin tumbler system. Pick and drill resistant for High Security needs.

Keys

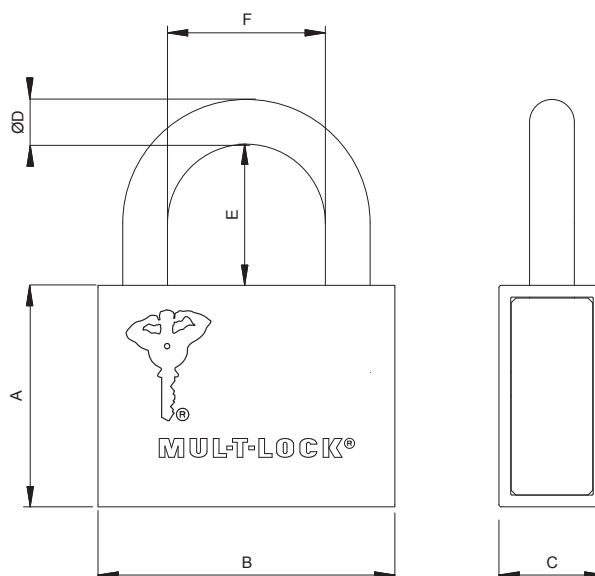
Reversible nickel silver key with plastic key head and colored insert for identification. Also available in all nickel silver.

Cylinder Options

- Classic, Interactive+, MT5® platforms
- Keyed different, keyed alike
- Master keyed
- '3 IN 1' (changeable combination)

Standards

CEN, ISI technical specification 21



Model	Body				Shackle						Standard grades	Suitable hasp#
	A	B	C	D	E				F			
					E	E1	E2	E3		CEN		
*C-6	mm	47	50	22	6	--	22	50	102	24	--	--
	Inch	1.85	1.97	0.86	0.23	--	0.86	1.97	4.1	0.94	--	--
*C-8	mm	47	50	22	7.9	--	22	50	102	22	2	--
	Inch	1.85	1.97	0.86	0.31	--	0.86	1.97	4.1	0.86	2	--
C-10	mm	47	63	22	9.5	--	30	63	102	33	3	10
	Inch	1.85	2.5	0.86	0.37	--	1.2	2.5	4.1	1.29	3	10
C-13	mm	51	73	25	12.7	25	37	58	102	33	4	13
	Inch	2	2.87	0.98	0.5	0.98	1.46	2.28	4.1	1.29	4	13
C-16	mm	53	92	32	15.8	--	50	63	102	38	5	16
	Inch	2.1	3.6	1.26	0.62	--	1.97	2.5	4.1	1.5	5	16

Note: Adding a hasp considerably upgrades the level of security.

*Can not be supplied as removable shackle



C-Series Padlock

Professional High Security

SBC - Sliding Bolt



Application

High Security padlock for general use.

Operation

Rotate key 55° to unlock.
Spring-loaded bolt release.

Options

Black or nickel finish

Materials

Shell: hardened steel
Core: black plated solid brass
Bolt: hardened boron alloy steel

Additional features

Protective shutter prevents dust contamination.

Cylinder mechanism

Mul-T-Lock's unique high precision pin tumbler system. Pick and drill resistant for High Security needs.

Keys

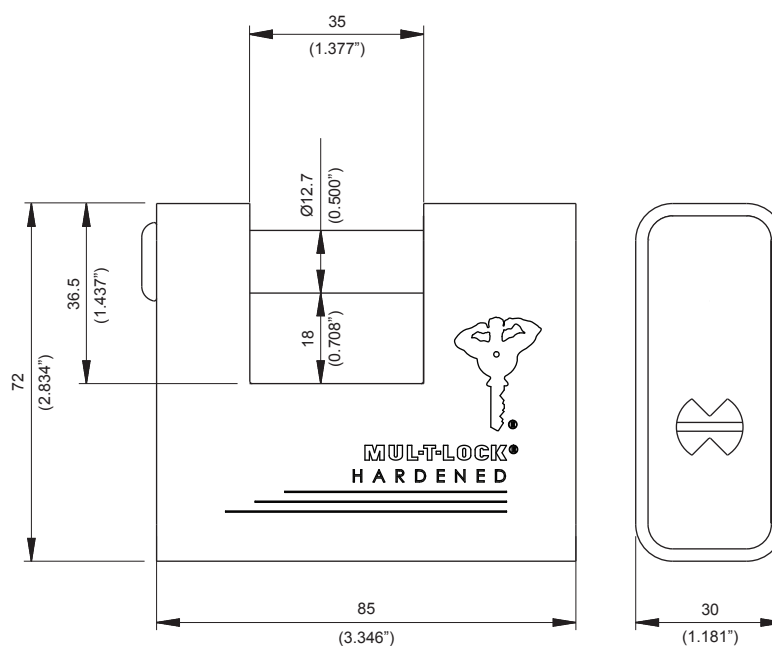
Reversible nickel silver key with plastic key head and colored insert for identification. Also available in all nickel silver.

Cylinder Options

- Classic, Interactive+, MT5® platforms
- Keyed different, keyed alike
- Master keyed
- '3 IN 1' (changeable combination)

Standard

Security grade CEN 4



C-Series Padlock

Professional High Security

Single Pin



Application

High Security padlock for general use.

Operation

Rotate key 55° to unlock.

Options

Variety of bolt (A) lengths

Black or nickel finish

Materials

Shell: hardened steel

Core: black plated solid brass

Locking pin: hardened steel alloy

Additional features

- Protective shutter prevents dust contamination
- Drainage holes prevent freezing

Cylinder mechanism

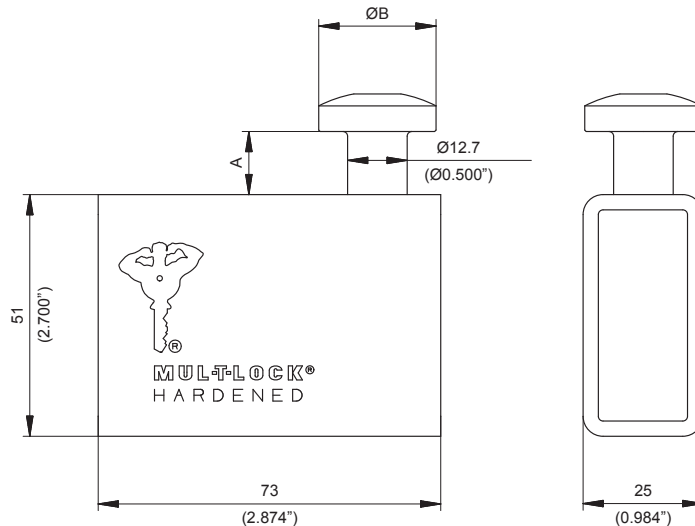
Mul-T-Lock's unique high precision pin tumbler system. Pick and drill resistant for High Security needs.

Keys

Reversible nickel silver key with plastic key head and colored insert for identification. Also available in all nickel silver.

Cylinder options

- Classic, Interactive+, MT5® platforms
- Keyed different, keyed alike
- Master keyed
- '3 IN 1' (changeable combination)



	A		B	
	mm	Inch	mm	Inch
L13	6	0.236	25	0.984
L10	10	0.393	25	0.984
L1	13	0.511	25	0.984
L8	13	0.511	30	1.181
L2	15	0.590	25	0.984
L3	21	0.826	25	0.984
L7	31	1.220	25	0.984
L4	35	1.377	25	0.984
L5	47	1.850	25	0.984
L6	80	3.149	25	0.984



G-Series Padlock 47, 55

All-purpose Security

Low Upper Body



Application

General use.

Operation

Rotate key 90° to unlock.

Options

Satin chrome finish

Materials

Body: Brass

Shackle: hardened boron alloy steel

Cylinder body, plug and pins: brass

Additional features

- High corrosion resistance
- Hammering resistance

Cylinder mechanism

Mul-T-Lock's unique high precision pin tumbler system. Pick and drill resistant for High Security needs.

Keys

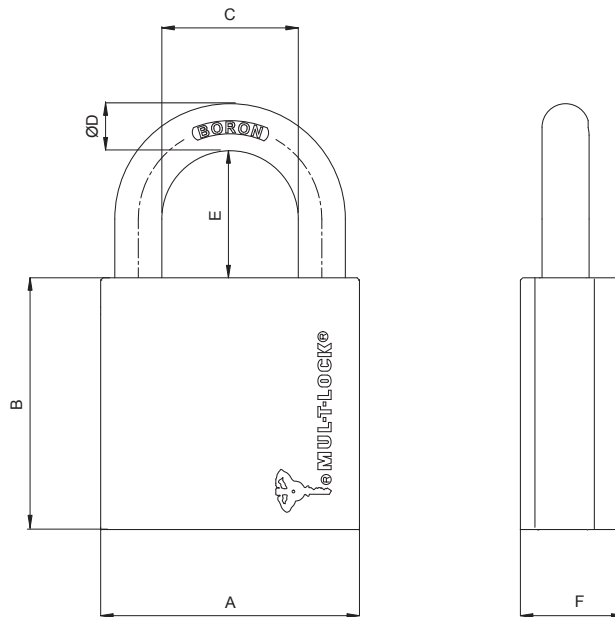
Reversible nickel silver key with plastic key head and colored insert for identification.

Cylinder Options

- 7x7, Classic, Interactive+, MT5® platforms
- Keyed different, keyed alike
- Master keyed

Standard

Security grade CEN 3



Padlock		A	B	C	D	E	F
G-47	mm	47	51	25	8	26.5	21
	Inch	1.850	2.007	0.984	0.314	1.043	0.826
G-55	mm	55	54	29	10	27	22
	Inch	2.165	2.125	1.141	0.393	1.062	0.866

G-Series Padlock 47P, 55P

All-purpose Security

High Upper Body - Protected



Application

General use.

Operation

Rotate key 90° to unlock.

Options

Satin chrome finish.

Materials

Body: brass

Shackle: hardened boron alloy steel

Cylinder body, plug and pins: brass

Additional features

- High corrosion resistance
- Hammering resistance

Cylinder mechanism

Mul-T-Lock's unique high precision pin tumbler system. Pick and drill resistant for High Security needs.

Keys

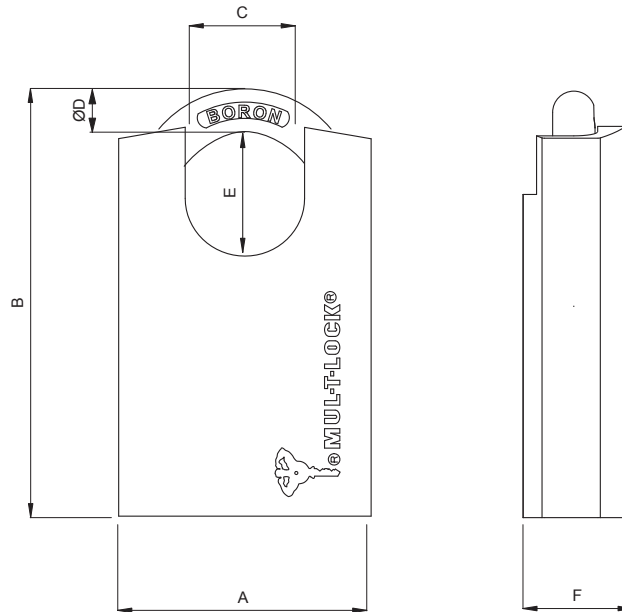
Reversible nickel silver key with plastic key head and colored insert for identification.

Cylinder options

- 7x7, Classic, Interactive+, MT5® platforms
- Keyed different, keyed alike
- Master keyed

Standard

Security grade CEN 3



Padlock		A	B	C	D	E	F
G-47P	mm	47	74	20	8	22.5	21
	Inch	1.850	2.913	0.787	0.314	0.885	0.826
G-55P	mm	55	77	20	10	23	22
	Inch	2.165	3.031	0.787	0.393	0.905	0.866



HaspLock



Applications

Robust locking solution combining padlock and hasp in one unit, to prevent loss of padlocks.

Options

- Key retaining
- Non-retaining (special order)
- Dust cover
- Drill protection
- Welded or bolted

Materials

Body: hardened steel investment casting

Bolt: 13 mm, hardened, non-removable

Cylinder Mechanism

Mul-T-Lock's unique high precision pin tumbler system. Pick and drill resistant for High Security needs.

Keys

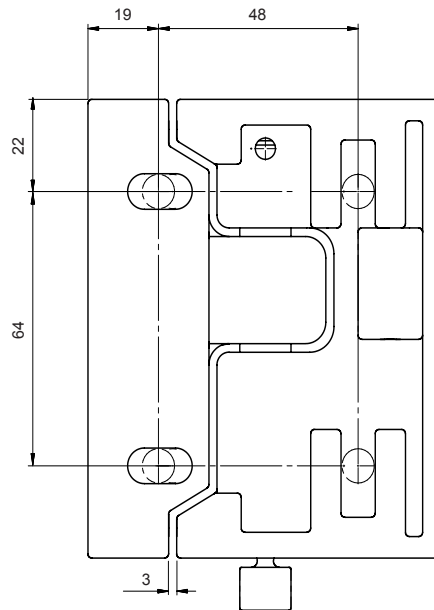
Reversible nickel silver key with plastic key head and colored insert for identification. Also available in all nickel silver.

Cylinder Options

- Classic, Interactive+ platforms
- Keyed different, keyed alike
- Master keyed

Standard

Security grade CEN 6



Round Padlock

“Hockey-Puck” Type



Applications

High Security padlock for commercial and residential locking, as well as trucks, vans, trailers and other vehicles.

Operation

Rotate key 90° key to unlock, then withdraw the bolt.

Options

- Nickel chrome matt finish
- Special protective shock resistant hasp

Materials

Body and bolt: hardened steel

Cylinder mechanism

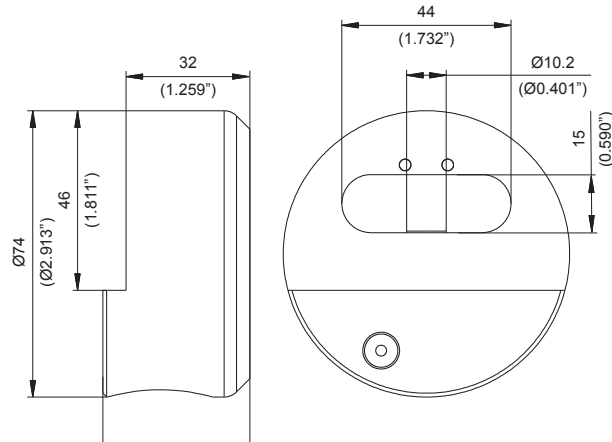
Mul-T-Lock's unique high precision pin tumbler system. Pick and drill resistant for High Security needs.

Keys

Reversible nickel silver key with plastic key head and colored insert for identification. Also available in all nickel silver.

Cylinder Options

- Classic, Interactive+, MT5® platforms
- Keyed different, keyed alike
- Master keyed
- '3 IN 1' (changeable combination)



Extreme Weather Plastic Cover For G-47 & G-55 Padlocks



Application

Body and keyway protection for G-47 and G-55 padlocks in extreme conditions.

Shock, water and UV resistance.

Options

- Padlock supplied with cover already assembled.
- Plastic cover ordered separately, supplied in a box, blister or plastic bag.

Materials

Dual injection molded plastic

Additional feature

Water seals around shackle legs provide additional weather resistance.

C-Series Accessories

Hasps & Shackle Protectors



Hasps

Application

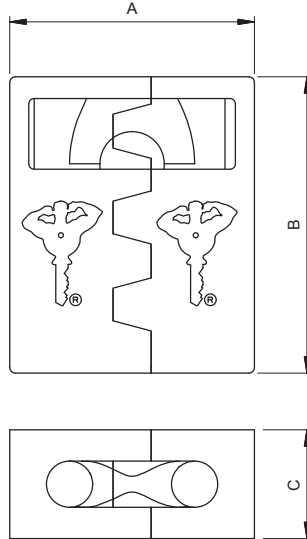
Secure housing for Mul-T-Lock C-Series padlocks with removable shackle. May be welded or bolted to steel, wood or aluminium structures.

Materials

High quality steel investment casting.

Options

Three types to fit 10, 13 and 16 C-Series removable shackle padlocks.



Hasps #		A	B	C
10	mm	80	95	40
	Inch	3.149	3.740	1.574
13	mm	90	109	40
	Inch	3.543	4.291	1.574
16	mm	110	116	48
	Inch	4.330	4.566	1.889

Shackle Protectors

Application

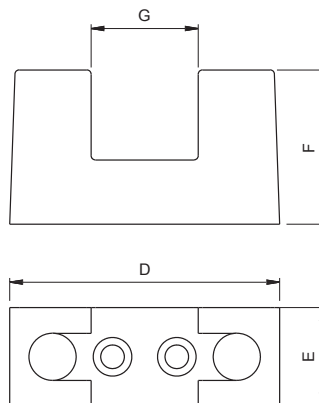
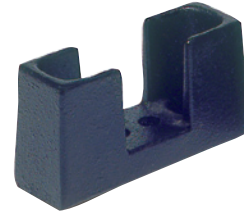
Additional protection for shackles of Mul-T-Lock C-Series padlocks.

Materials

High quality steel investment casting.

Options

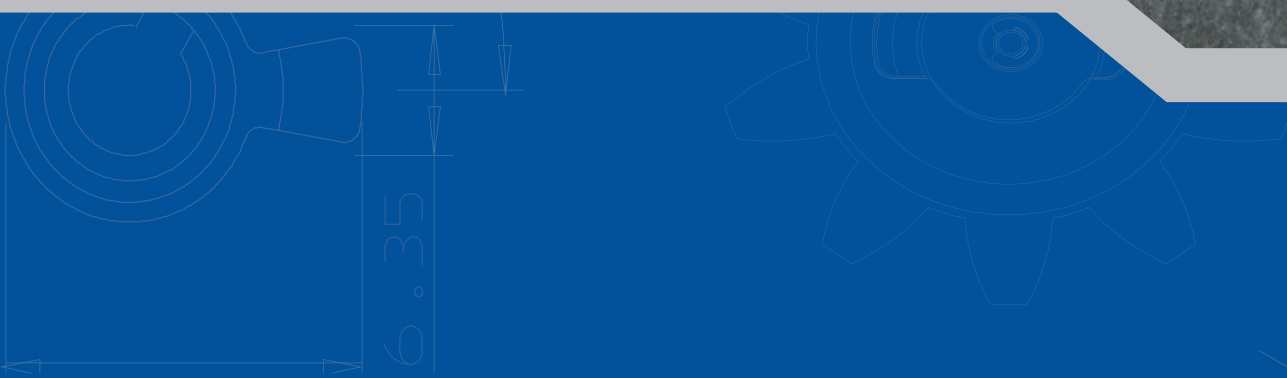
Three types to fit 10, 13 and 16 C-Series padlocks with removable & pop-open shackle.



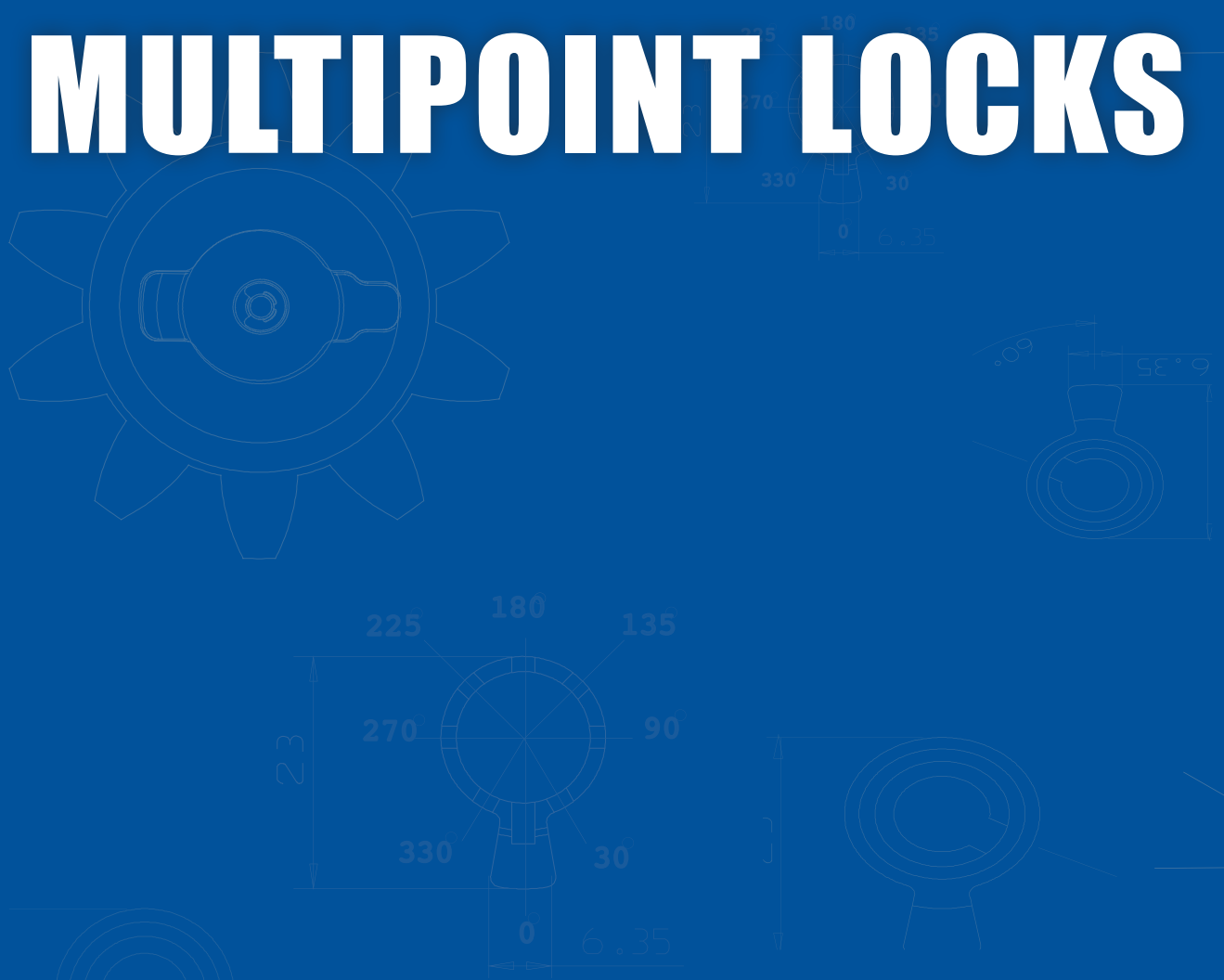
Padlock #		D	E	F	G
10	mm	63	23	36	25
	Inch	2.480	0.905	1.417	0.984
13	mm	73	25	40	25
	Inch	2.874	0.984	1.574	0.984
16	mm	92	32	50	30
	Inch	3.622	1.259	1.968	1.181



www.mul-t-lock.com



MULTIPOINT LOCKS



4-Way Locks 231, 232



Application

Installed inside wood or metal doors to provide 4-way multi-bolt locking.

Operation

360° key rotation for deadbolt action.

Options

- Left Hand model 231
- Right Hand model 232
- Hardware colors: white, brown, shiny brass, nickel chrome

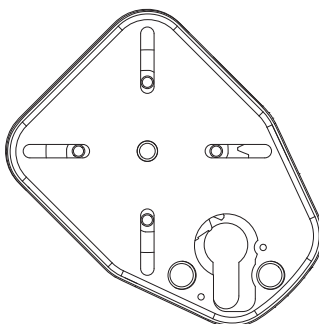
Materials

Case and mechanism: steel

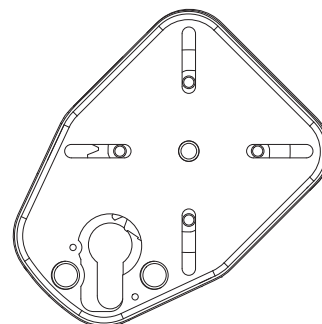
Bolts: steel (optional hardened)

Cylinder protector: hardened steel

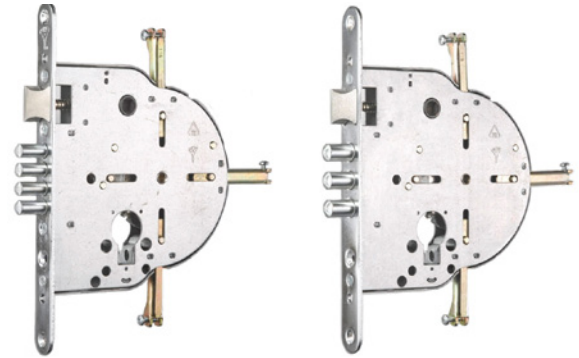
231 Left



232 Right



4-Way Locks 235, 265



Application

Installed inside wood or metal doors to provide 4-way multi-bolt locking.

Operation

- 360° key rotation for deadbolt action
- Additional travel for latch action
- Left- or right-hand applications

Options

- Standard backset: 65 mm
- Special order backsets: 75 & 85 mm
- Hardware colors: white, brown, shiny brass, nickel chrome, gold
- Can be assembled with SH300 high security hardware
- Model 235 available with $\text{ØD} = 12.7$ mm

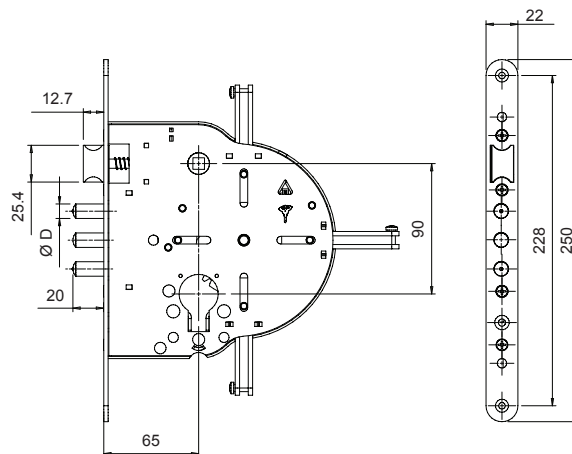
Materials

Case and mechanism: steel
Bolts: steel (optional hardened)

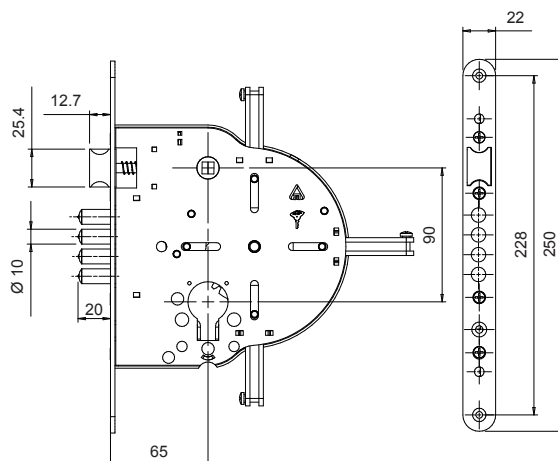
Standards

- ISI technical specification 196
- EN12209

Model 235 multipoint lock operating 6 bolts



Model 265 multipoint lock operating 7 bolts

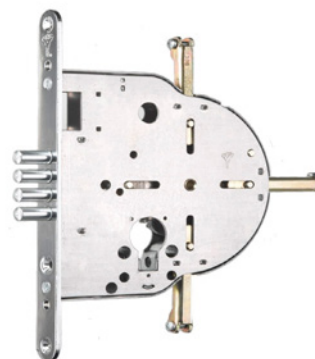


Standard backset 65 mm

Other backsets available only with $\text{Ø}10$ mm bolts

Optional 8" front band to fit American hollow core metal doors

4-Way Lock 250



Application

Installed inside wood or metal doors to provide 4-way multi-bolt locking.

Operation

360° key rotation for deadbolt action.

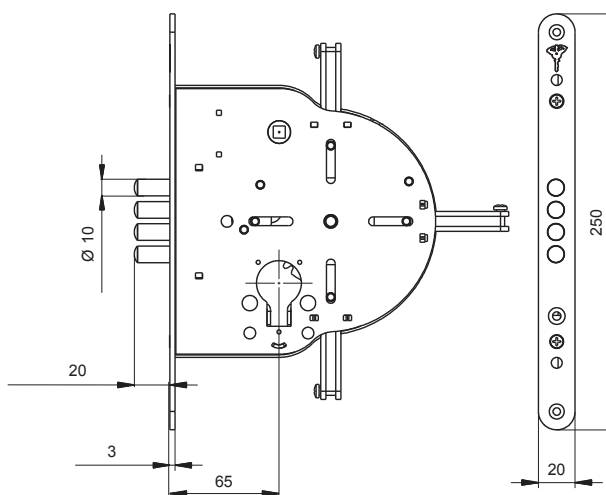
Options

- Standard backset: 65 mm
- Special order backsets: 75 & 85 mm
- Hardware colors: white, brown, shiny brass, nickel chrome, gold
- Can be assembled with SH300 high security hardware

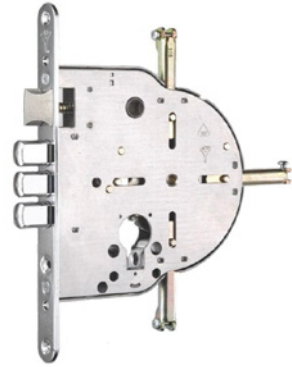
Materials

Case and mechanism: steel

Bolts: steel (optional hardened)



4-Way Lock 603



Application

Installed inside wood or metal doors to provide 4-way multi-bolt locking.

Operation

- 360° key rotation for deadbolt action
- Additional travel for latch action
- Left- or right-hand application

Options

- Hardware colors: white, brown, shiny brass, nickel chrome, gold
- Fixed outside handle

Materials

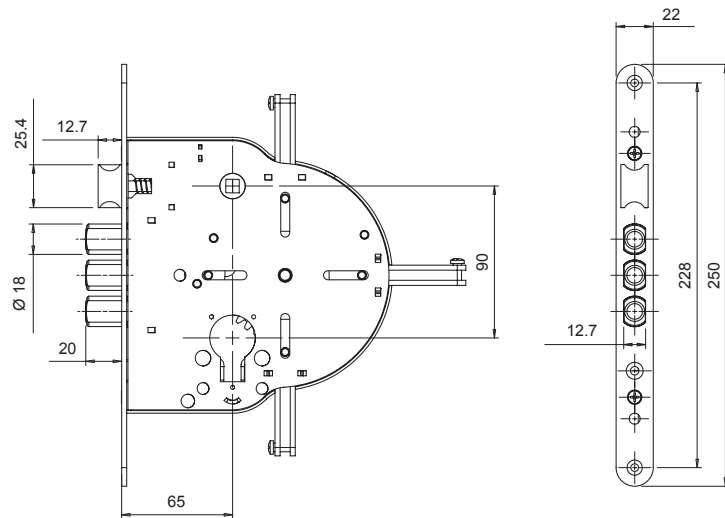
Case and mechanism: steel
Bolts: steel (optional hardened)
Cylinder protector: hardened steel

Additional feature

Patented 18 mm Double D shaped bolts allow installation in narrow frames, and enable use of front plate (22 mm width) to fit regular steel door types.

Standards

- ISI technical specification 196
- EN12209



MPL Series

Application

Installed inside wood or metal doors to provide 3-way multi-bolt locking

Operation

- 360°/720° key rotation for deadbolt action
- Additional travel for latch action
- Left- or right-hand application

Options

- SH300 high security hardware
- MPL210 - central lock case for steel door
- MPL211 - central lock case for wooden door

Materials

Case and mechanism: steel

Bolts: steel

Cylinder protector: hardened steel

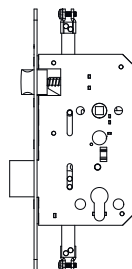
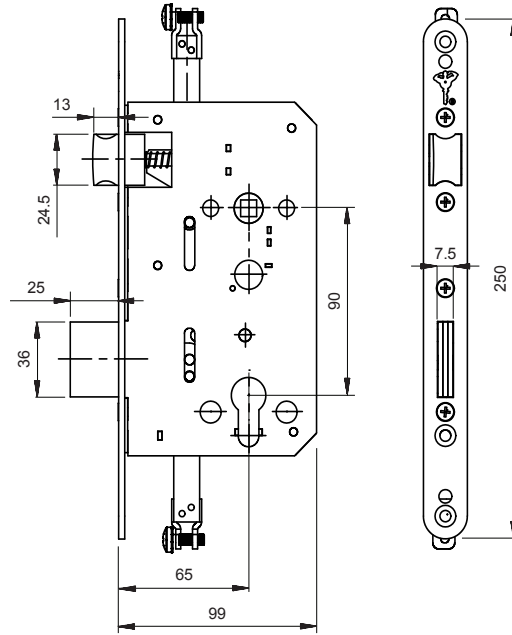
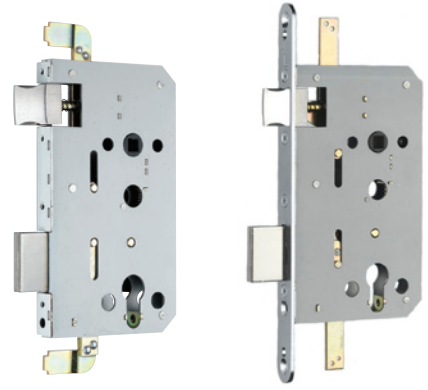
Additional features

- Lock case size 99 mm
- Square deadbolt
- Triple round deadbolts for steel and wooden doors
- Standard hardware (CC=90 mm)

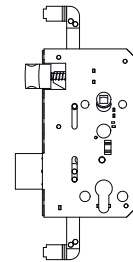
Standard

EN12209

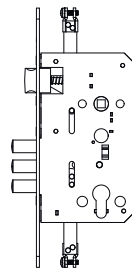
Note: for maximum security it is recommended to use Mul-T-Lock High Security escutcheons (EN grade 3 and 4)



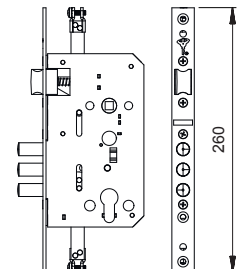
MPL 210 - P/N 26900047



MPL 211 - P/N 26900048



MPL 212 - P/N 26900251



MPL 212 - P/N 26900254



SPL Series



Application

Installed inside wood or metal doors to provide deadbolt locking.

Operation

- 360°/720° key rotation for deadbolt action
- Additional travel for latch action
- Left- or right-hand application

Options

- EN grade 3 hardware
- EN grade 4 hardware
- Fixed or moving handle

Materials

Case and mechanism: steel

Bolts: steel

Cylinder protector: hardened steel

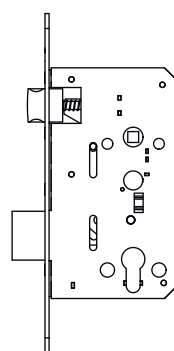
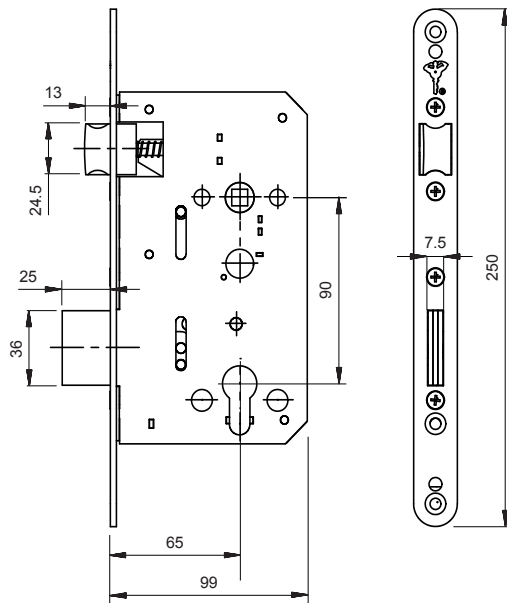
Additional features

- Square deadbolt
- Triple round deadbolts for steel and wooden doors
- Standard hardware (CC=90 mm)

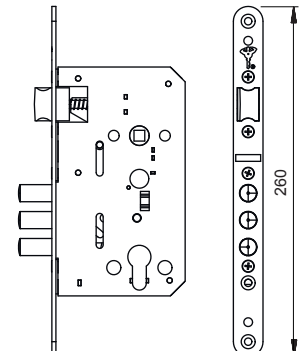
Standard

EN12209

Note: for maximum security it is recommended to use Mul-T-Lock High Security escutcheons (EN grade 3 and 4)



SPLS - P/N 26900340



SPLR - P/N 26900350

MPL415G Lock Set

Double Locking Multipoint Lock



Application

A heavy duty multipoint lock for steel doors.

Features

- 4 smart key-turns
- 41.5 mm bolt throw
- 15 locking bolts
- Geometrical locking
- Double cylinder locking
- Cogwheel central locking mechanism
- Dead-bolt latch when locked
- Operated by Euro profile cam cylinders
- Right- or Left-Hand installation

Option

Lock set includes:

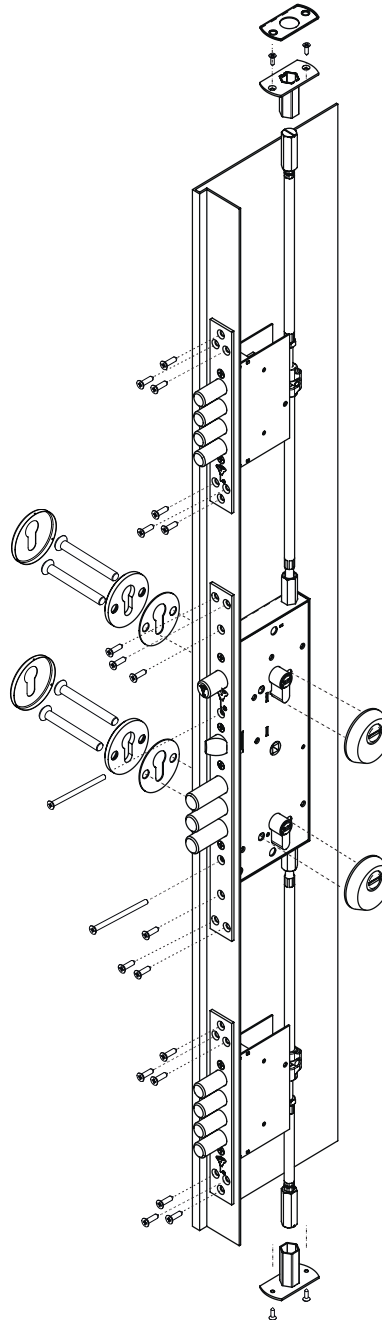
- Central lock
- Side mechanisms
- Rods
- Security escutcheons
- Hardware
- Counter strikes
- Installation instructions

Specifications

- Handle operation
- Latch Ø20 mm
- Backseat: 65 mm.
- Bolt throw: 41.5 mm
- Minimum door height - 1950 mm
- Maximum door height - 2120 mm

Finishes

Bright brass, nickel satin, nickel chrome



Mini-bars Lock

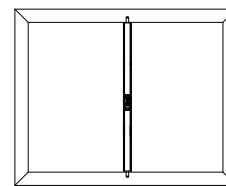
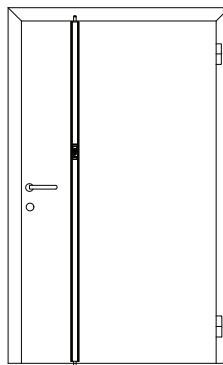
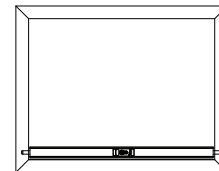
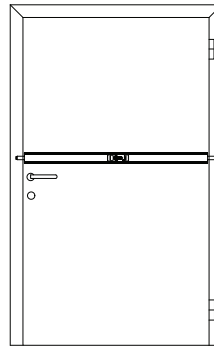
2-Point Surface Mount Locking bar

The Mul-T-Lock Mini-bars lock series is a multipoint rim lock solution for reinforcing security in standard commercial doors and windows (metal or wood). It may be used as either a primary locking solution, or as additional locking system for reinforcing vulnerable areas. The Mini-bars may be installed either horizontally or vertically, on patio and garage doors, shutters, balconies, cabinets and more.

A gear-driven mechanism provides smooth operation, making the Mini-bars lock friendly to all users, including children and elderly people. Flexible keying options (master key, keyed alike, keyed different) are available, and any of Mul-T-Lock's High Security cylinder platforms may be incorporated into the product based on the customer's preferences.

Extra hardware, available upon request, includes cylinder protectors, thumbturn knobs and various accessories. The finish of all cylinders and handle accessories is compatible with the specified lock/profile color.

The Mini-bars lock is also available with durable coatings – in white, brown, and matt black, making it suitable for most environments.



Vertical Mini-bars

Universal Application

Application

Rim lock with 2-point locking for universal applications, such as entrance doors, sliding doors, balconies and windows.

Operation

- Compatible with Mul-T-Lock Euro profile cam cylinders. (Ordered separately)
- Thumbturn operation
- Half cylinder, key operation
- Double cylinder, both sides by key operation

Options

- Available lengths:
 - 1200 mm
 - 1500 mm
 - 2000 mm
 - 2250 mm
 - 2750 mm
 - 3000 mm
 - 4000 mm

Other lengths available by special order.

- Deadbolt throw 36 mm or 85 mm, adjustable
- Cylinder length for all door thicknesses up to 85 mm, according to the model.
- Backsets:
 - 500 mm
 - 1100 mm

Available Finishes

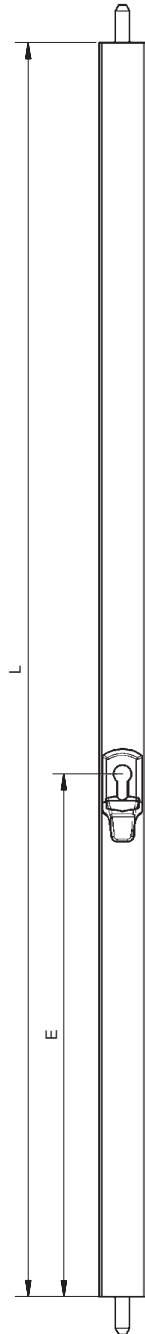
White, brown, matt black.

Special colors available on request.

For the full range of products and ordering information see Mul-T-Lock Italy Catalogue



Cylinder for lock operation



L - length
E - backset



Vertical Mini-bars EMB Series

Window Application

Application

Rim lock with 2-point locking for window applications.

Operation

Compatible with Mul-T-Lock Euro profile cam cylinder (ordered separately).

- Thumbturn operation
- Half cylinder, key operation
- Double cylinder, both sides by key operation

Options

- Available lengths:
 - 800 mm
 - 1000 mm
 - 1200 mm
 - 1500 mm
 - 2000 mm
 - 2250 mm

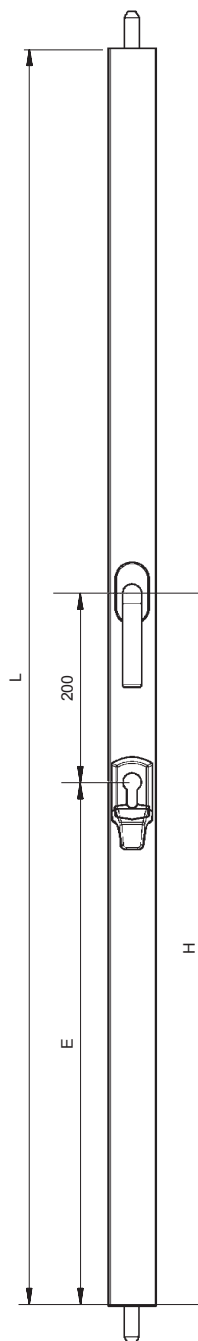
Other lengths available by special order.

- Deadbolt throw 36 mm or 85 mm, adjustable
- Cylinder length for all door thicknesses up to 85 mm, according to the model.
- Backsets:
 - 300 mm
 - 900 mm

Available Finishes

White, brown, matt black.
Special colors available on request.

For the full range of products and ordering information see Mul-T-Lock Italy Catalogue



L - length
E - backset
H - handle height

Multipoint Locks

Vertical Mini-bars EMC Series

Handle Driven

Application

Rim lock with 2-point locking for windows and entrance doors

Operation

- Compatible with Mul-T-Lock's Euro profile cam cylinders. (Ordered separately)
- Tumbturn operation
- Half cylinder, key operation
- Double cylinder, both sides by key operation

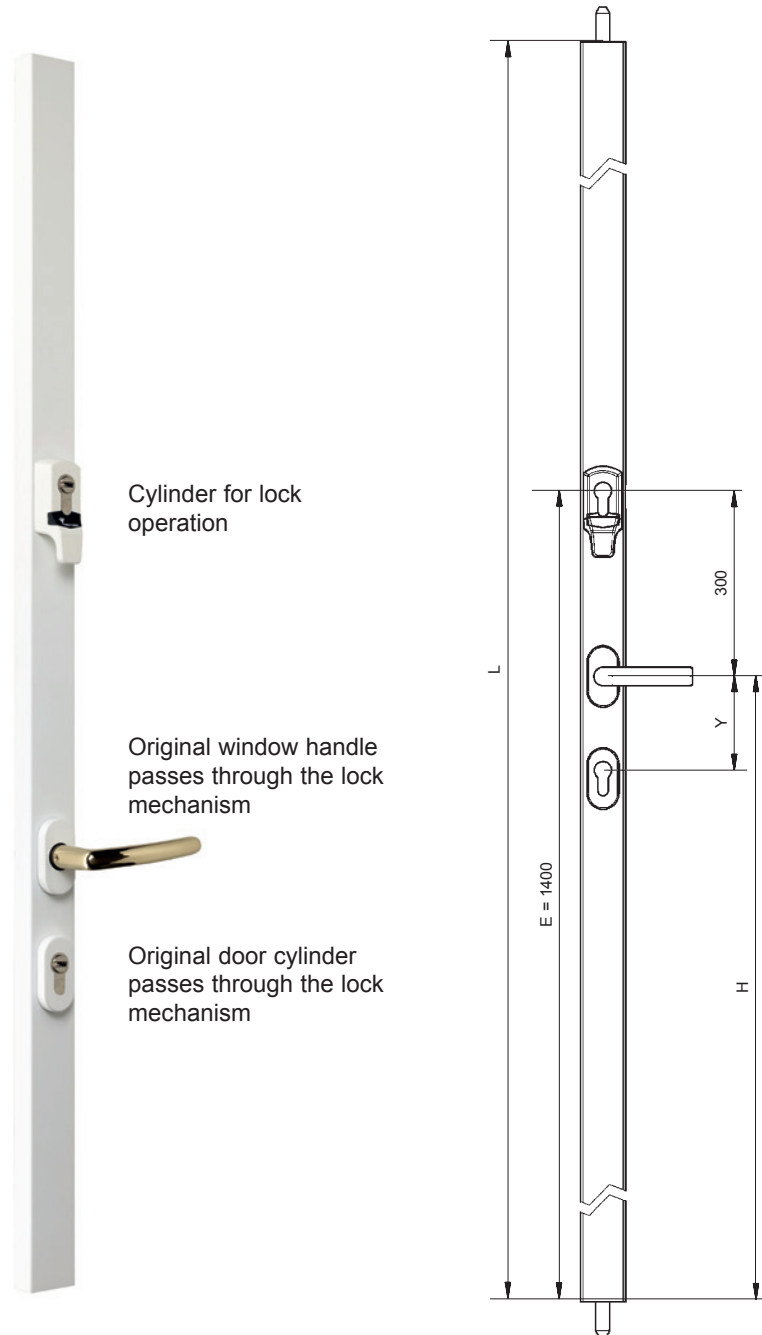
Options

- Available lengths:
 - 2000 mm
 - 2250 mm
 - 2500 mm
- Other lengths available by special order.
- Deadbolt throw 36 mm or 85 mm, adjustable
- Cylinder length for all door thicknesses up to 85 mm, according to the model.
- Key backset:
 - 1400 mm
- Different axle bases

Available Finishes

White, brown, matt black
Special colors available on request.

For the full range of products and ordering information see Mul-T-Lock Italy Catalogue



L - length
E - backset
H - handle height
Y - handle axle base



Vertical Mini-bars EMD Series

Handle Driven (No Cylinder Locking)

Application

Surface mounted rim lock with 2-point locking for windows.

Operation

Turning handle 180° to operates both deadbolts.

Options

- Available lengths:
 - 1200 mm
 - 1500 mm
 - 2000 mm
 - 2250 mm
 - 2500 mm
 - 2750 mm
 - 3000 mm

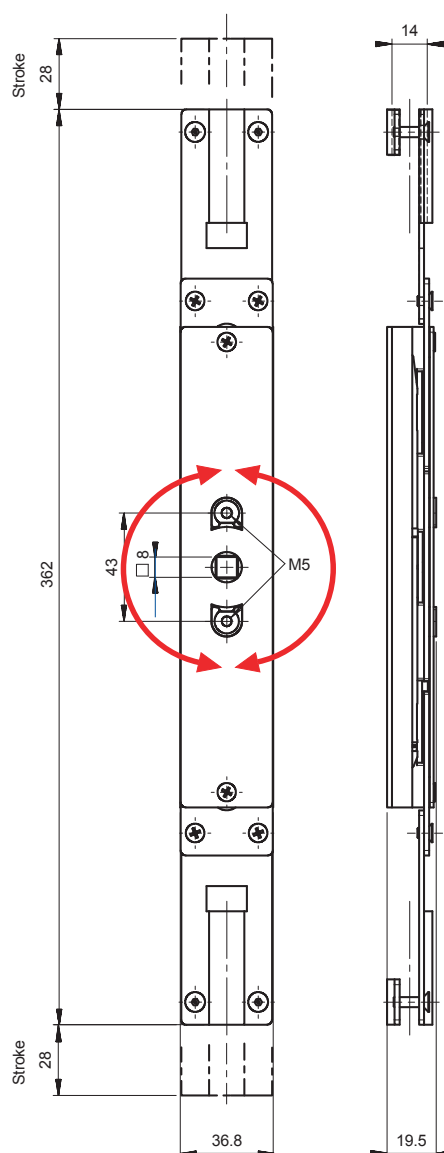
Other lengths available by special order.

- Deadbolt
 - Ø14 mm
 - 28 mm Throw
- backsets:
 - 500 mm
 - 1100 mm
- Left- or right-hand operation

Available Finishes

Anodized, white, brown, matt black
Special colors available on request.

For the full range of products and ordering information see Mul-T-Lock Italy Catalogue



Multipoint Locks

Horizontal Mini-bars 512, 513 Series



Application

Horizontal rim lock with 2-point locking.

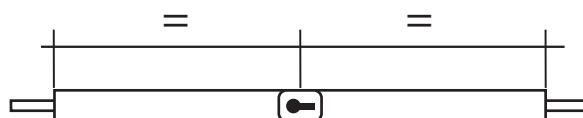
Operation

- Compatible with Mul-T-Lock's Euro profile cam cylinders. (Ordered separately)
- This product is more suitable for use with double profile cylinder. When used with a single side (Thumb turn), deadlocking is not functioning.
- Deadbolt throw 80 mm

Options

- Available lengths:
 - For central backset:
 - 2000 mm
 - 2250 mm
 - 2500 mm
 - 2750 mm
 - 3000 mm
 - 4000 mm
 - For 300 mm backset:
 - 800
 - 900
 - 1000
 - 1100
 - 1200

512 series



Central backset

513 series



300 mm backset

Available Finishes

White, brown, matt black.
Special colors available on request.

For the full range of products and ordering information see Mul-T-Lock Italy Catalogue

Mini-bars Series

Options

	Series	EME	EMB	EMC	EMD	512	513
Backset	300		•				•
	500	•			•		
	900		•				
	1100	•			•		
	1400			•			
	Central					•	
Length	800		•				•
	900						•
	1000		•				•
	1100						•
	1200	•	•		•		•
	1250						•
	1375						
	1500	•	•		•		
	2000	•	•	•	•	•	
	2250	•	•	•	•	•	
	2500	•		•	•	•	
	2750	•			•	•	
	3000	•			•	•	
	4000	•				•	
Color	Brown	•	•	•	•	•	•
	White	•	•	•	•	•	•
	Black	•	•	•	•	•	•
	Anodized				•		

Multipoint Locks

Lock 700 Model

3-way Multipoint Rim Lock

Application

Heavy duty multipoint (3-way) rim lock with latch functionality. Suitable for 1.5 to 2.5 meter doors. Right-Hand or Left-Hand installation. Push or pull installation.

Operation

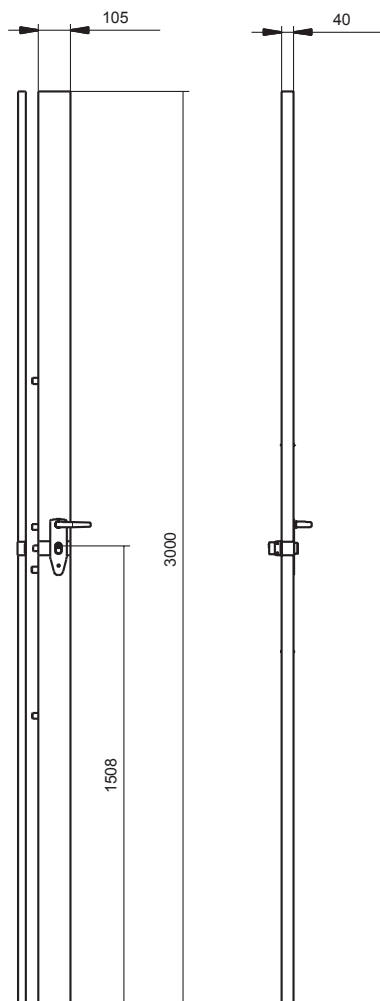
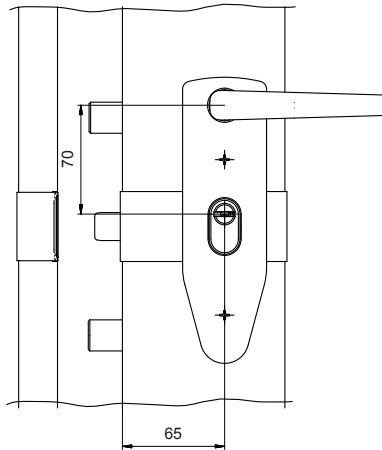
Equipped with Mul-T-Lock cylinder. 360° key rotation for dead bolt action and additional travel for latch action. Latch is reversible for Left-Hand and Right-Hand.

Materials

Case, mechanism, covers and frame: steel.
Bolts: steel (optional hardened).
Cylinder protector: hardened steel.

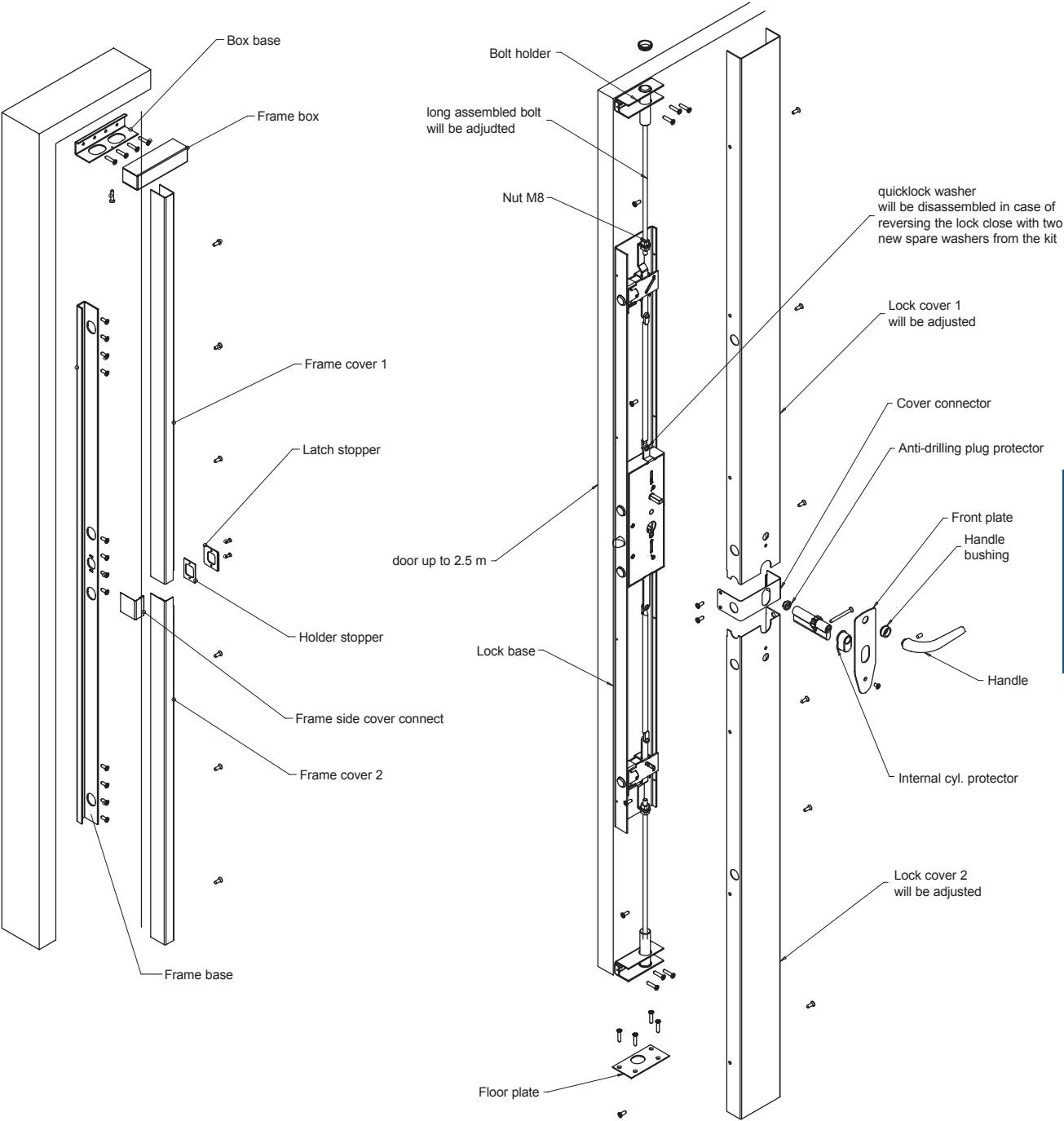
Standard

A2P★



Lock 700 Model

3-way Multipoint Rim Lock



Multipoint Locks

MATRIX

Armored Doors Lock

A series of heavy-duty multipoint locks for armored doors, featuring a silent, reliable gear-based mechanism, a patented double-bit key, and a combination SIM enabling an endless number of changeable combinations.

The lock combination can be changed endless number of times by performing 5 simple steps:

1. Rotate plate lock on inner side of door to OPEN position.
2. Remove the old combination SIM with a special extraction/insertion tool.
3. Insert a new combination SIM using the same extraction/insertion tool.
4. Rotate lock to CLOSE position. The lock is set to the new combination.
5. After performing the combination change process, destroy the old SIM and keys.



MATRIX

Armored Doors Lock



Function

High Security multipoint locking for armored doors

Features

- Latch functionality
- Patented double-bit, low-wear keys
- Single or double locking mechanism
- Euro profile cylinder
- Slave cylinder
- Right- or left-hand installation
- Limitless combination possibilities, enabled by replacing the combination SIM

Options

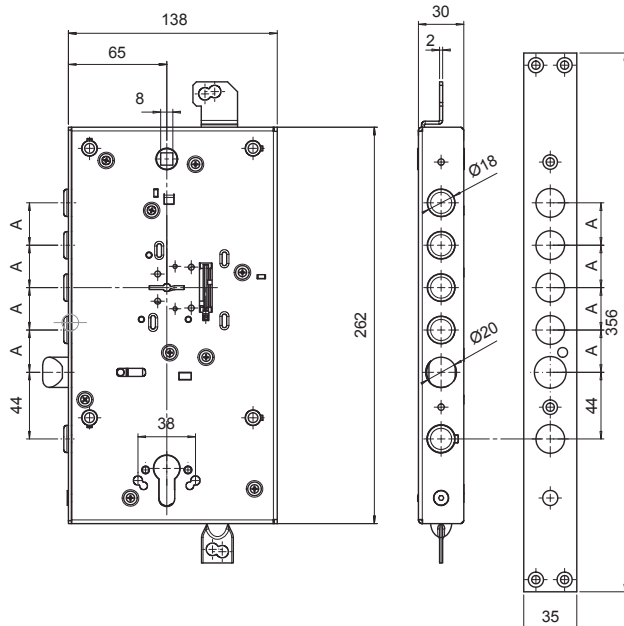
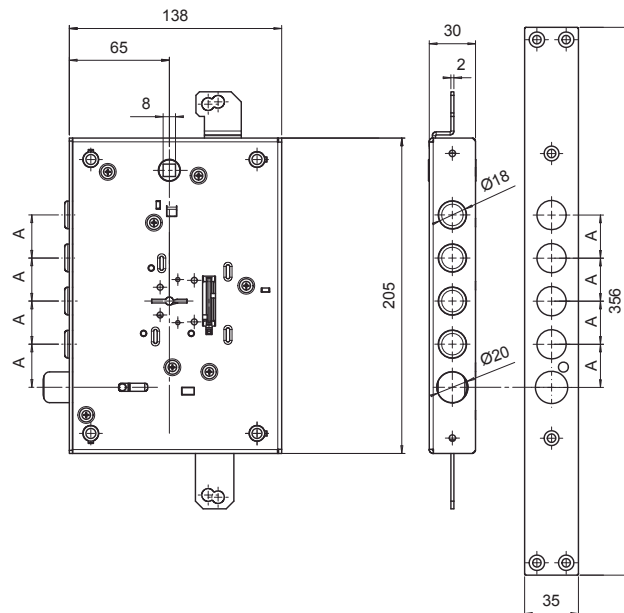
- Sealed bag containing one combination SIM
- 3 double-bit keys (length 90 mm)

Specifications

- Handle operation
- Latch $\varnothing 20$ mm
- Backseat: 65 mm
- Bolt throw: 36 mm
- Service bolt stroke: 24 mm
- Lever stroke: 20 mm
- Bolt spacing: 28, 37 mm
- Bolt protrusion: 3, 13 mm
- 4 throws
- Variety of key lengths

For ordering information see
Mul-T-Lock Italy Catalogue

A - Bolt spacing - 28, 37 mm
S - Bolt protrusion - 3, 13 mm



OMEGA PLUS

Armored Doors Lock

A series of heavy-duty multipoint locks for armored doors, featuring a gear-based mechanism and an effective security system that relies on a selection of special keys:

Standard set of keys

The standard Omega Plus lock is supplied with a sealed envelope, containing:

- 3 triple-bit foldable keys (length 73 mm), marked by red plastic key heads with green inserts
- 1 blue duplication card for the green-insert keys
- 1 triple-bit foldable key (length 73 mm) marked by a red plastic head with a yellow insert, and a new code – which, when used, invalidates the keys with the green insert
- 1 blue duplication card for the yellow-insert key
- A new code embossed on the yellow-insert duplication card, enabling the production of an additional key – marked by a red insert – which, when used, invalidates the yellow-insert key
- 3 double-bit keys (length 90 mm)

Installation key

Available on request for all Omega models, the installation key, marked by a black key head, enables the installation of armored doors without disclosing the master key code. Once installation is complete, the installation key is invalidated by inserting the standard owner's key. Then the installation key destroyed.

Construction site key

The construction site key, marked by a black key head, enables access to all areas on a construction site during the building process. When a finished property is handed over to the owner, the pins inside the lock are removed, irreversibly disabling the site key. The owner then opens the sealed envelope containing his own standard property keys and duplication card, for maximum privacy and security.



OMEGA PLUS

Armored Doors Lock



Function

High Security multipoint locking for armored doors

Features

- Latch functionality
- Single or double locking mechanism
- Euro profile cylinder
- Right- or left-hand installation

Options

- 3 triple-bit foldable keys with green inserts
- 1 blue duplication card for the green-insert keys
- 1 triple-bit foldable key with a yellow insert, when used, invalidates the keys with the green insert
- 1 blue duplication card for the yellow-insert key
- Additional key – with red insert which, when used, invalidates the yellow-insert key

Additional features

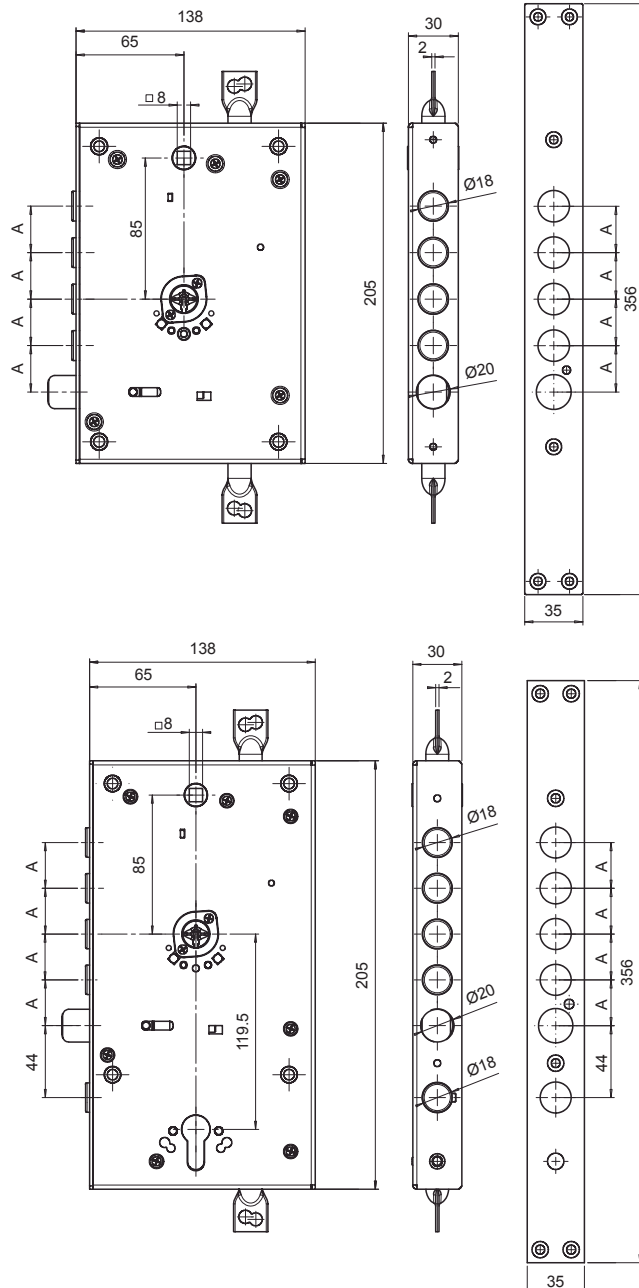
- Latch functionality
- Double locking mechanism
- Euro profile cylinder
- Right- or left-hand installation

Specifications

- Handle operation
- Latch $\varnothing 20$ mm
- Backset: 65 mm
- Bolt stroke: 30 mm
- Lever stroke: 20 mm
- Bolts $\varnothing 18$ mm
- 4 bolts for standard 28 mm bolt spacing
- 3 bolts for 37 mm bolt spacing
- Bolt protrusion: 3, 13 mm
- Variety of key lengths

For ordering information see Mul-T-Lock Italy Catalogue

A - Bolt spacing 28, 37 mm
S - Bolt protrusion 3, 13 mm



Single Locking Mechanism For Armored Doors



Application

A heavy duty multipoint lock for armored doors

Features

- 3 point lock
- Gear-based mechanism
- Latch functionality
- Operated by Euro profile cylinder
- Right- or Left-Hand installation
- When lock is closed, latch can not be withdrawn using the handle

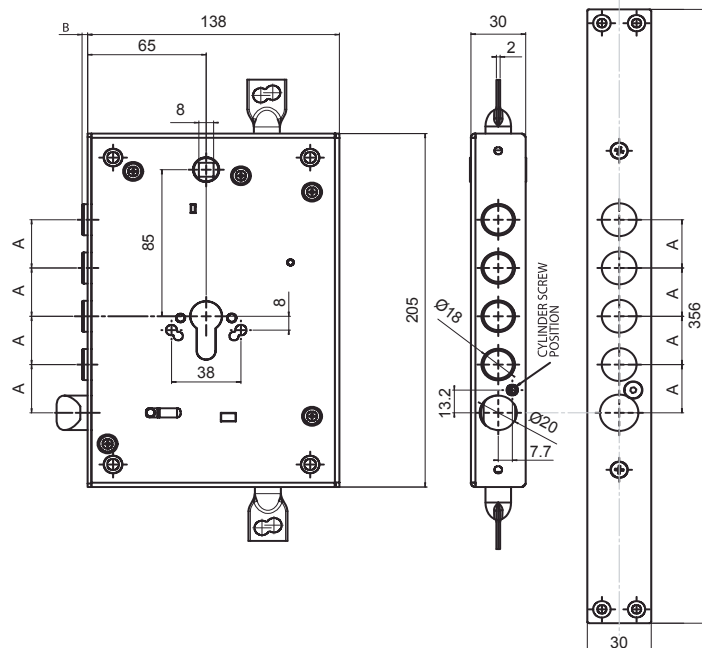
Options

- 4 bolts (Ø18 mm) for standard 28 mm bolt spacing
- 3 bolts for 37 mm bolt spacing

Specifications

- Handle operation
- Latch Ø20 mm
- Backseat: 65 mm
- Bolt throw: 30 mm
- Lever stroke: 20 mm
- Bolt protrusion: 3,13 mm
- Variety of key lengths

A - Bolt spacing (28, 37 mm)
B - Bolt protrusion (03, 13 mm)



**For ordering information see
Mul-T-Lock Italy catalogue**

Double Locking Mechanism For Armored Doors



Application

A heavy duty multipoint lock for armored doors

Features

- 3 point lock
- Gear-based mechanism
- Latch functionality
- Operated by Euro profile cylinders
- Right- or Left-Hand installation
- When lock is closed, latch can not be withdrawn using the handle

Options

- 4 bolts (Ø18 mm) for standard 28 mm bolt spacing
- 3 bolts for 37 mm bolt spacing

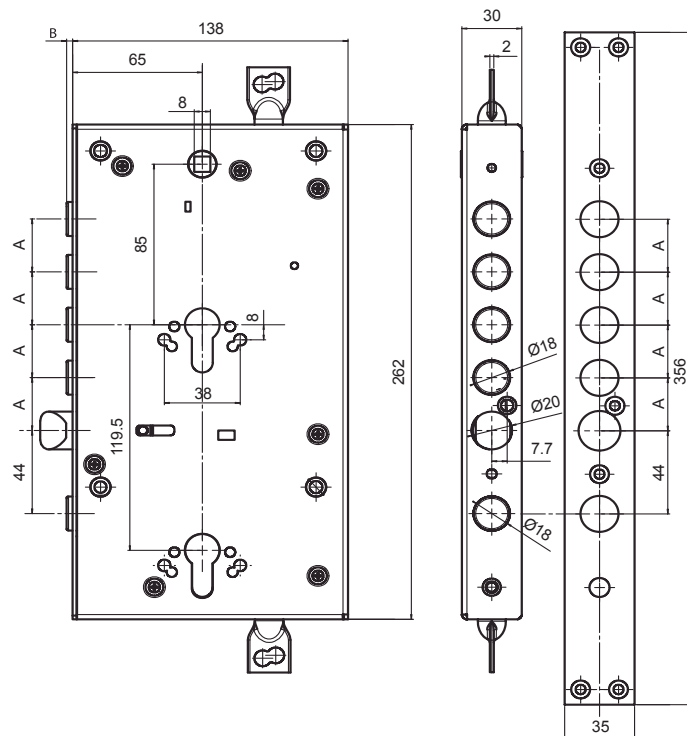
Specifications

- Handle operation
- Latch Ø20 mm
- Backseat: 65 mm.
- Bolt throw: 30 mm
- Lever stroke: 20 mm.
- Bolt protrusion: 3, 13 mm
- Variety of key lengths.

For ordering information see
Mul-T-Lock Italy catalogue

A - Bolt spacing (28, 37 mm)

B - Bolt protrusion (3, 13 mm)



Lock 354M

Application

Suitable for wood and steel doors.
Provides single bolt locking.

Features

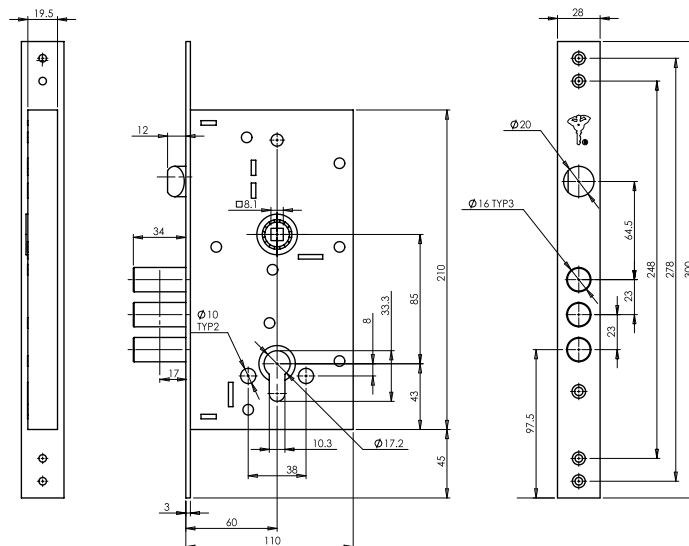
- Backset: 60 mm
- Triple round deadbolts: $\varnothing 16$ mm
- Latch: $\varnothing 20$ mm

Operation

- Compatible with Mul-T-Lock Euro profile cam cylinders
- $360^\circ/720^\circ$ key rotation for bolt action
- Bolt throw:
 - 17 mm for 360° key turn
 - 34 mm for 720° key turn
- Additional travel for latch action
- Left- or right-hand applications
- Handle spindle with ball bearing mechanism for high traffic doors

Materials

- Case: galvanized steel
- Mechanism: steel
- Bolts and front plate: chrome nickel plated steel



Lock 257



Application

Security lever lock for wood and steel doors.

Preferred installation as additional lock for reinforcing security level.

Features

- Backset: 60 mm
- Triple round deadbolts: Ø16 mm
- Keyway protective plate hinders drill attacks

Operation

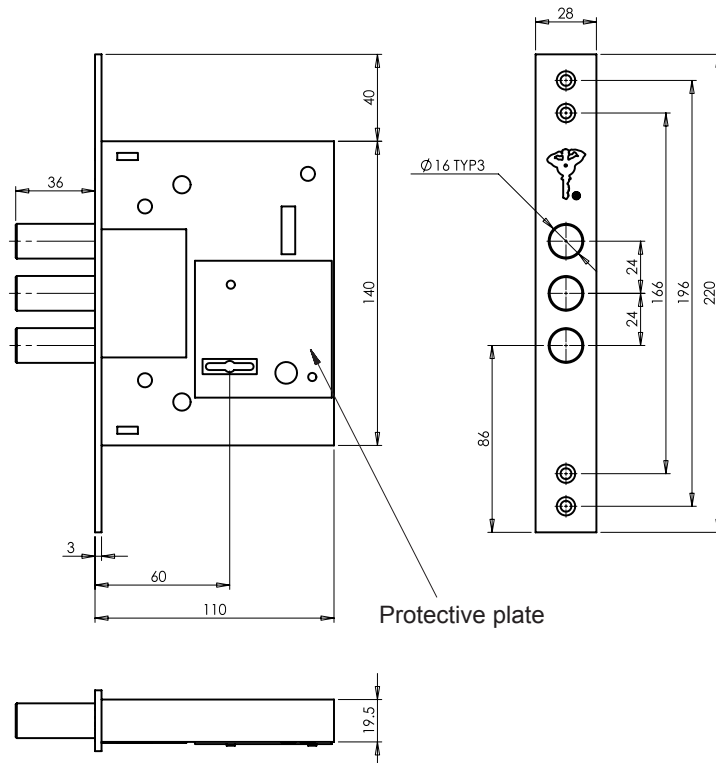
- Double key turn for bolt action
- Left- or right-hand applications
- Bolt throw:
 - 1 key turn: 18 mm
 - 2 key turns: 36 mm

Options

- Keys:
 - 3 double bit keys
 - 5 double bit keys
- Front plate plating:
 - Chrome nickel
 - Satin nickel
 - Shiny brass

Materials

- Case: galvanized steel
- Mechanism: steel
- Bolts: chrome nickel plated steel
- Front plate: see options
- Keys: chrome nickel plated brass



Euro Profile Cylinder High Security Protector



Application

Compatible with all Euro profile cylinders.

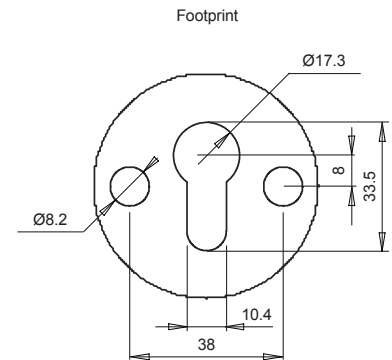
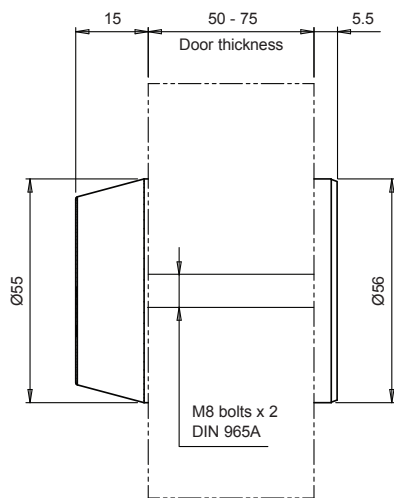
Options

- Hardened steel body
- Drill resistant rotating disk
- M8 screws
- Suitable for door thickness 50-75 mm
- Each set contains screws of different lengths:
 - 4 (2 pairs) M8x65 for door thickness 50-55 mm
 - 20 (10 pairs) M8x75 for door thickness 60-65 mm
 - 4 (2 pairs) M8x85 for door thickness 70-75 mm

Available finishes

Bright chrome, satin chrome, bright brass, brushed nickel

Note: 10 pcs per box



Euro Profile Cylinder Security Protector



Application

Compatible with all Euro profile cylinders.

Protection features

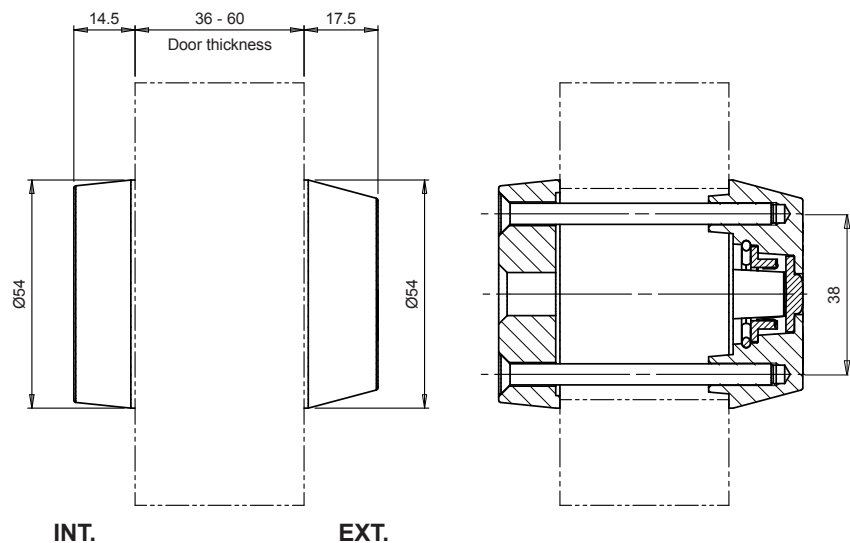
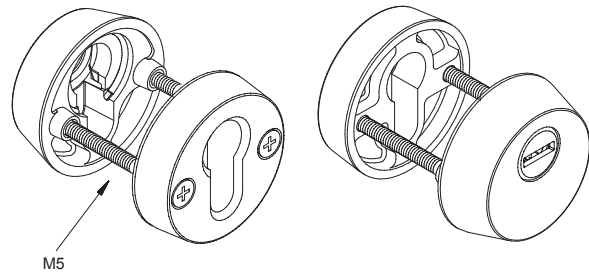
- Hardened steel anti-drill rotating disk
- Anti-pull protection
- Anti-twist protection

Structure & design

- M5 bolt-through
- Large diameter footprint - 54 mm
- All-weather durability
- Attractive design
- Fits variety of door widths

Available finishes

Chrome plated, electro brass, nickel satin



SH300 Hardware



Application

Compatible with Mul-T-Lock 4-way locks and MPL210 lock series.

Options

- Complete set
- Fixed or moving handle
- Suitable for door thickness of 45-70 mm
- Interchangeable CC (center to center) distance – 85/90 mm

Materials

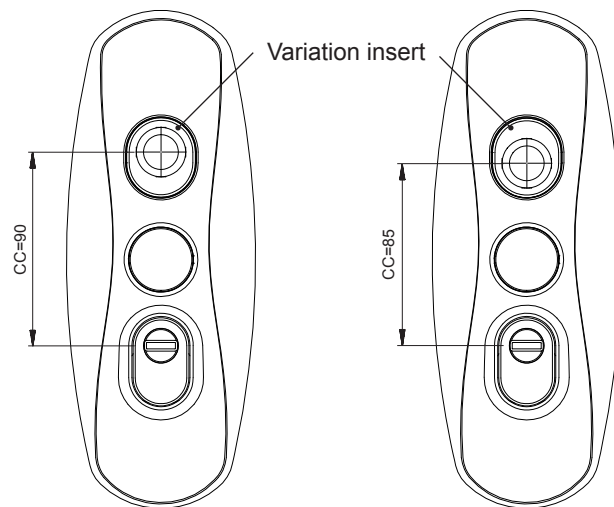
Cylinder protector: stainless steel.
Body with hardened inserts for high drilling resistance.

Base plate: carbon steel with high corrosion resistance plating.

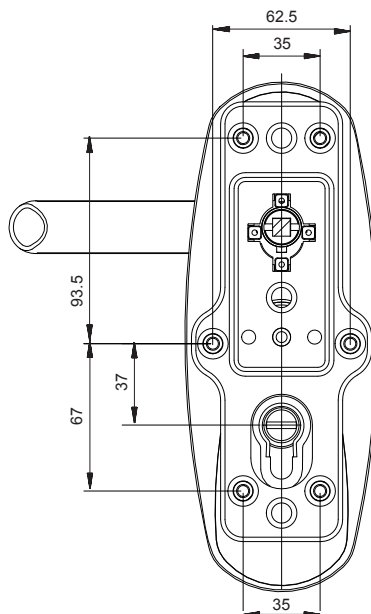
Cover plates: brass.

Available finishes

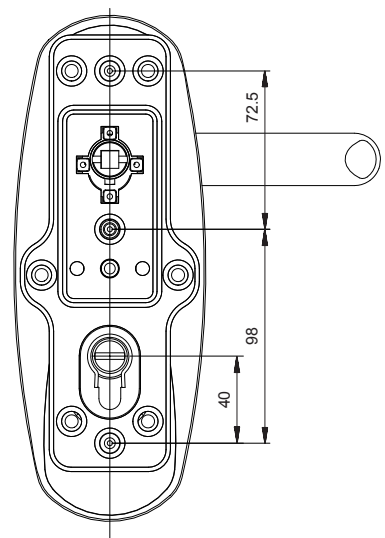
Gold - PVD, nickel chrome, nickel satin.



Variation insert is adjustable for both 85 or 90 mm CC.



Template for 4-way lock



Template for MPL210 series





ELECTRONIC DOOR SOLUTIONS

CLIQ[®] Cylinder



Function

The electromechanical CLIQ cylinder is used in combination with the CLIQ key giving it the ability to collect and store information about when it is accessed and with which key. In addition, the cylinder stores a list of authorized and unauthorized CLIQ keys to ensure only enabled keys have access.

Applications

The CLIQ cylinder is based on Mul-T-Lock's High-Security mechanical platforms Interactive+ and MT5[®]. It is available in a wide range of cylinder applications including, Euro (double or single), rim, mortise, kik, padlocks, switch cylinder and more.

Features

- Audit trail
 - Standard memory: 100 events
 - Extended memory: 1000 events

Specifications

- IP54
- Temperature range: -20°C - 70°C
- Encrypted (3DES) communication between cylinder and key/c-key
- Available in a variety of finishes
- Minimum length: 33 mm (Euro model)
- Power supplied via the CLIQ key's embedded battery

CLIQ® - Waterproof Padlock



Function

Designed for extreme environmental conditions, the CLIQ Waterproof Padlock, is ideal for applications that require durability and protection against the elements. It is also embedded with micro-technology that collects information about who, when and where the padlock has been accessed to provide you with complete Audit Trails of activity.

- Available in two shackle versions:
 - Stainless steel for maximum corrosion resistance
 - Hardened steel for protection against severe physical attacks
- Features key retaining design
- Attached weather-seal cap protects against water

Applications

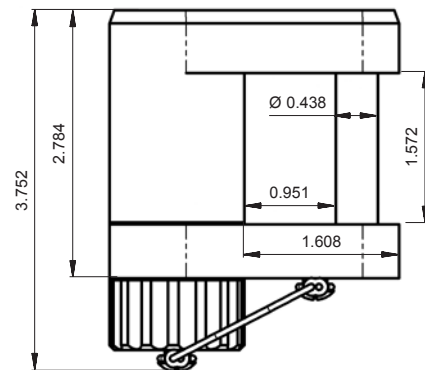
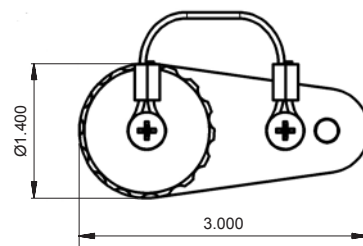
CLIQ Waterproof Padlock cylinder is based on Interactive+, Mul-T-Lock's High-Security mechanical platform.

Features

- Audit trail:
 - Standard memory: 100 events
 - Extended memory: 1000 events

Specifications

- IP67, IPx9K
- Temperature range: -25°C - 85°C
- Encrypted (3DES) communication between cylinder and key/c-key
- Available with Interactive+ CLIQ only
- Mechanical combination limitation: Impossible to use D5
- Available with 8 mm (5/16") or 11 mm (7/16") shackle
- Industrial design: casting processes for stainless steel can cause variations to finish
- Power supplied via the CLIQ key's embedded battery
- Optional: can be supplied with a mechanical cylinder



CLIQ[®] - Quartz+ Key



Function

Used in combination with the CLIQ cylinder, the electromechanical CLIQ Quartz+ Key can be programmed directly with authorizations and time profiles. The key also collects usage information to create complete access audit trails.

Application

The CLIQ Quartz+ Key is based on Mul-T-Lock's High-Security mechanical platforms Interactive+ and MT5[®].

This key is recommended for use with CLIQ Remote Programming Devices.

Features

- Schedule: 32 week-based time intervals
- Audit trail: 1000 events
- Color-coded LED indicators:
 - Green: authorized
 - Red: unauthorized
 - Red-green-red: out of schedule
 - Blinking red: low battery
- Supports remote programming of authorizations and scheduling

Specifications

- IP57
- Temperature range: -10°C - 60°C
- Encrypted (3DES) communication between C-key and software
- Encrypted (3DES) communication between C-key and cylinder
- Powered by a CR2032 3V lithium battery, which is easily replaced
- Battery lifetime: 2 years or 20,000 operations
- Design: Black with pink inserts

CLIQ® - Quartz and QuartzXT Key



Function

Used with the CLIQ cylinder, the electromechanical CLIQ Quartz Key collects access information for complete audit trails. It can also be programmed to follow specific time schedules.

Application

The CLIQ Quartz Key is based on Mul-T-Lock's High-Security mechanical platforms Interactive+ and MT5®

The key comes in two options depending on your selected system:

- Quartz Key – used with the CLIQ system
- QuartzXT Key – used with the CLIQ Remote system

Features

- Schedule: 32 week-based time intervals
- Audit trail:
 - Quartz Key: 130 events
 - QuartzXT Key: 1000 events
- Color-coded LED indicators:
 - Green: authorized
 - Red: unauthorized
 - Red-green-red: out of schedule
 - Blinking red: low battery

Specifications

- IP57
- Temperature range: -10°C - 60°C
- Encrypted (3DES) communication between C-key and software
- Encrypted (3DES) communication between C-key and cylinder
- Powered by a CR2032 3V lithium battery, which is easily replaced
- Battery lifetime: 2 years or 20,000 operations
- Design:
 - Quartz: Blue with yellow inserts
 - QuartzXT: Black with purple inserts

CLIQ[®] - Control Key (C-Key)



Function

The CLIQ Control Key (C-Key) manages the electronic communication provided by the CLIQ system. It provides users secure access to the system software and the ability to transfer information between the software and the cylinders.

Applications

Each CLIQ system must have at least one C-Key, referred to as the Master C-Key (MCK). The MCK is used to transfer information from CLIQ cylinders to the software and not to open them. For systems with more than one administrator, it is possible to utilize additional C-Keys, also referred to as a Normal C-Key (NCK).

Features

- Update key authorization lists within cylinders
- Transfers audit trail information from cylinder to software
- Facilitates secured access to the software

Specifications

- IP57
- Temperature range: -10°C - 60°C
- Encrypted (3DES) communication between C-key and software
- Encrypted (3DES) communication between C-key and cylinder
- Powered by a CR2032 lithium battery; the battery is easily replaced
- Battery lifetime: 2 years
- Design:
 - MCK: Black with red inserts
 - NCK: Black with red and yellow insert

CLIQ[®] Remote - Mobile Programming Device



Function

Using a cellular phone or computer as a modem, the CLIQ Remote Mobile Programming Device (MPD) allows you to program Interactive+ CLIQ and MT5[®] CLIQ keys on-the-go.

Features

- Makes authorization changes in Quartz+ keys
- Actions time-profile changes in Quartz+ and QuartzXT keys
- Retrieves audit trails from Quartz+ and QuartzXT keys
- Revalidates keys
- Automatically syncs keys' time settings
- Provides visual and audio indicators of operational status and activity progress

Specifications

- Powered by 4 x AAA batteries
- IP42
- Connection via cellular telephone:
 - Communication to cellular telephone via Bluetooth or USB cable
 - Connects to conventional cellular telephone models without the need for software installation
- Connection via computer:
 - USB connection between Mobile PD and computer
 - Uses a simple application as a bridge for network connections
 - Can be powered through the USB cable

CLIQ[®] Remote - Wall Programming Device



Function

Embedded with its own IP address, the online CLIQ Remote Wall Programming Device allows users to remotely program Interactive+ and MT5[®] keys.

Features

- Makes authorization changes in Quartz+ keys
- Actions time-profile changes in Quartz+ and QuartzXT keys
- Retrieves audit trails from Quartz+ and QuartzXT keys
- Revalidates keys
- Automatically syncs keys' time setting
- Provides visual and audio indicators of operational status and activity progress
- Updates CLIQ key's firmware

Specifications

- IP42
- Power supply:
 - 7-24 V AC/DC
 - or
 - Power over Ethernet (PoE) – class 1 IEEE 802.3 af.
(Supply must be LPS approved)

CLIQ® - Web Manager Software

Function

A web-based software program, CLIQ Web Manager is used to manage the CLIQ Remote system.

User-friendly and intuitive, system administrators use it to remotely manage the day-to-day functionality of the CLIQ Remote system.

Applications

As a web-based solution, the CLIQ Web Manager provides access to the system's database from any computer with an Internet connection and has been specifically designed to handle large, decentralized systems.

Features

- Secure login via a control key and a PIN code
- Advanced search options
- Manages and creates:
 - Access permissions
 - Audit trails — including activities from remote devices
 - Time-based authorization
 - Recurring validation
 - Reports
- Supports remote programming device management
- Enables system grouping into manageable domains
- Allows remote key programming
- Key and personnel management

Specifications

- Web browser: Internet Explorer 7 and up
- Highly secured connection (SSL)
- Available in multi-language versions
- License options are per system size



CLIQ® - Manager Software

Function

Locally installed CLIQ Manager software is used for the day-to-day management of the CLIQ system.

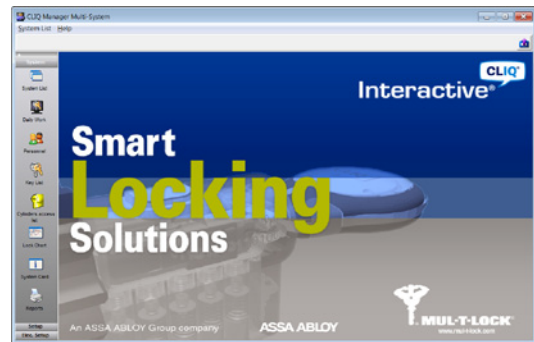
With it, system administrators can perform a variety of tasks based on the specific needs of their environment.

Features

- Secure login via a control key and PIN code
- Manages and creates:
 - Access permissions
 - Audit trails
 - Time-based authorizations
 - Reports
- Key and personnel management

Specifications

- Installation options:
 - Local installation
 - Centralized database
- OS: MS Windows 2000/XP/ VISTA/Windows 7
- Hardware requirements: MS Windows compatible PC, Pentium IV-1,5 GHz, 50MB free hard disk memory, 512 MB RAM
- Licensing options:
 - CLIQ Manager 50: One CLIQ system with up to 50 CLIQ elements in the system
 - CLIQ Manager 200: One CLIQ system with up to 200 CLIQ elements in the system
 - CLIQ Single Manager: One CLIQ system with unlimited quantity of CLIQ elements
 - CLIQ Multi System Manager: Multiple CLIQ systems with an unlimited quantity of CLIQ elements





Function

A CLIQ key with a transponder for electronic access control systems;
Allows users to conveniently use a single all-in-one key for opening both electromechanical cylinders and doors secured by RFID access control systems.

Applications

Facilitates installation and use of electromechanical platforms in apartment and office buildings, seniors' homes and other premises secured with RFID access control systems.

Recommended for new applications that combine a mechanical Mul-T-Lock platform, and an Interactive+ CLIQ®/MT5® CLIQ® system, with access control solutions, such as Mul-T-Lock's ProQsimity®.

Features

- Key head may incorporate round sticker transponders.
- Compatible with mechanical Mul-T-Lock platform Interactive+, as well as the electromechanical Interactive+ CLIQ/MT5® CLIQ®.
- Compatible with electronic RFID access control systems, such as Mul-T-Lock's ProQsimity®.

Specifications

- Users can design their own SynerCLIQ cover sticker.
- Transponder dimensions: 22 mm diameter



Transponder

CLIQ[®] - Local Programming Device



Function

The CLIQ Local Programming Device (PD) is used to connect CLIQ keys and cylinders to the software (CLIQ Manager and/or CLIQ Web Manager), via secure communication.

Features

- Provides secure access to the CLIQ system software
- Reads and uploads audit trails from CLIQ keys
- Updates CLIQ Keys with the latest authorizations and time schedules
- Uploads tasks from CLIQ software to the C-Key(s)

Specifications

- Computer connectivity via USB or serial connection
- Power supply:
 - Powered through the USB cable
 - 9V battery when using serial connection
- Compatible with MT5 CLIQ / Interactive+ CLIQ keys

ProQsimity® Offline



Description

Offline RFID electronic lock

Function

Manages multiple door access, with an easy-to-use portable programmer and encoded, contact-less electronic cards.

Applications

Access control for commercial and institutional facilities, including offices, hospitals, factories, schools, sports clubs and more.

Features

- Offline system. No wiring required.
- Simple operation
- System management through easy-to-use software
 - Authorizations
 - Time schedules
 - Daylight savings time and holidays
 - Deletion and replacement of lost tags
 - Audit trails
- Up to 64,000 user cards and up to 64,000 doors per system

Options

- Handles: SENA, DELTA, ARCO
- Various distances between axes (70 mm-105 mm)
- Spindle: 7 mm, 8 mm, 9 mm
- Various cylinder applications: Euro, Swiss and oval
- May be installed with or without cylinder
- Cylinder can be visible or hidden
- Privacy feature

Finishes

- Satin chrome
- PVD polish brass

Specifications

- 13.56 MHz, MIFARE® RFID technology
- Contact-less cards
- 2 possible memory configurations:
 - 1,500 users and 600 events in the event log
 - 1,000 users and 1,000 events in the event log
- 2-4 cm read/write distance
- Powered by 3 AAA batteries



ProQsimity® Standalone



Description

Standalone RFID electronic lock

Function

Manages access to a single door, with an easy-to-use programming card and contact-less electronic cards.

No need for a programming device or software.

Applications

Access control for residential and commercial uses.

Features

- Standalone system. No wiring required.
- Simple operation
- System management through easy-to-use programming card
- Up to 500 user cards

Options

- Handles: SENA, DELTA, ARCO
- Various distances between axes (70 mm-105 mm)
- Spindle: 7 mm, 8 mm, 9 mm
- Various cylinder applications: Euro, Swiss and oval
- May be installed with or without cylinder
- Cylinder can be visible or hidden

Finishes

- Satin chrome
- PVD polish brass

Specifications

- 13.56 MHz, MIFARE® RFID technology
- Contact-less cards
- 2-4 cm read/write distance
- Powered by 3 AAA batteries

EDS

ProQsimity® ANSI



Function

Manages multiple door access, with easy-to-use portable programmer and encoded contactless electronic cards

Applications

Access control for commercial and institutional facilities, including offices, hospitals, factories, assisted living facilities, schools, sports clubs and more.

Features

- Easy installation - no wiring required.
- Simple operation
- System management through easy-to-use software
 - Authorizations
 - Time schedules
 - Daylight savings time and holidays
 - Deletion and replacement of lost tags
 - Audit trails
 - 4 operation modes
 - Standard
 - Open
 - First person in
 - Dual user (available only in the wireless version)
- Up to 64,000 user cards and up to 64,000 doors per system

Options

- Handles: SENA, Flat
- Privacy feature
- May be installed with or without cylinder
 - Cylinder options:
 - Classic, Interactive+, MT5®, 7x7, Integrator platforms
 - Keyed different, keyed alike
 - Master keying
 - 3 in 1 (changeable combination)
 - TLO
- Internal / external models available
- Cylindrical version
 - 2¾" (70mm) backset – standard
 - 2⅝" (60mm) backset - available
- Mortise version:
 - Automatic deadbolt – standard
 - Latch only version - available



ProQsimity® ANSI

Finishes

- Stainless steel, satin chrome, PVD polished brass

Specifications

- 13.56 MHz, HID iClass® & MIFARE® RFID technology
- Contactless RFID cards /tags / fobs / silicon & disposable wristbands
- 2 possible memory configurations:
 - 1,500 users and 600 events in the event log
 - 1,000 users and 1,000 events in the event log
- 2-4 cm read/write distance
- Powered by common batteries
- Conforms to ANSI grade 1
- ANSI A115 prep modified for through-bolts
- ADA-compliant levers
- Shabbat-compliant

ProQsimity® Cabinet Lock (E-Motion)



Function

E-Motion is an electronic lock for lockers which may be integrated into the ProQsimity system (OFFLINE or Update On Card).

Features

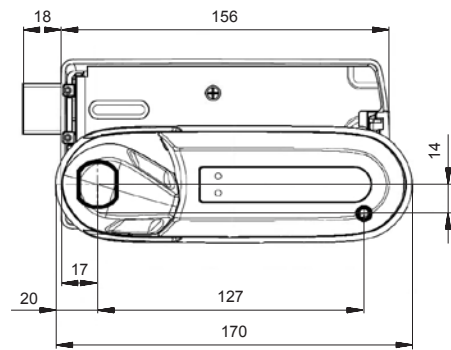
- Simple operation
- System management through easy-to-use software
- 2 Operation modes:
 - High traffic:

All lockers are available to all users. Any user can select a free locker and lock it by presenting his/her card.
 - User assigned:

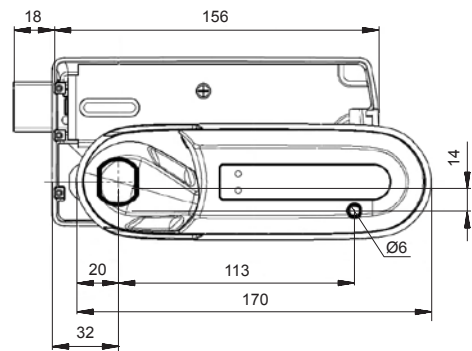
Through the E-Motion or ProQsimity software, a specific locker can be assigned to one or more users. This mode of operation supports various access control features: authorizations, time schedules, daylight savings time and holidays, cancellation and replacement of lost tags, audit trail, temporary blockage, etc.

Specifications

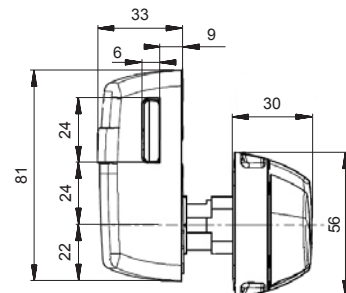
- Reader module:
 - 13.56 MHz, MIFARE® RFID technology
 - ISO 14443A
 - Contact-less cards (MIFARE Classic 1K, 4K and ULTRALIGHT)
 - Reading range: 10 mm with standard credentials
 - LED indications (access authorized, access denied, low battery, etc).
 - Compatible with mobile telephone NFC
- Control unit:
 - Non-volatile memory
 - Up to 1500 users
 - Up to 1000 events recorded in audit trail
 - Real-time clock and calendar
- Operating conditions:
 - Temperature range (external side): -20°C-70°C
 - Humidity: up to 85% without condensation
 - Fire certificate: 30', 60' and 90' UNFEN 1634:2000
 - IP55
- Battery module:
 - Type: 3 x LR03 AAA 1.5V alkaline batteries
 - Estimated duration: 20,000 operations or 3 years
 - Changing the batteries is easy and simple; no need to disassemble the lock.



Right handed door - short



Right handed door - long



Dimensions

Dimensions

- Door thickness (3 models):
 - 2-12 mm
 - 12-15 mm
 - 15-25 mm
- "Long" or "Short" footprint



SynerKey



Function

A mechanical key with a key head that can house transponders for electronic access control systems; allows users to conveniently use a single all-in-one key for opening both mechanical cylinders and doors secured by RFID access control systems.

Applications

Facilitates installation and use of mechanical platforms in apartment and office buildings, seniors' homes and other premises secured with RFID access control systems. Recommended for new applications that combine a mechanical Mul-T-Lock platform with access control solutions, such as Mul-T-Lock's new ProQsimity®.

Features

- Key head may incorporate round or capsule transponders.
- Compatible with all mechanical Mul-T-Lock platforms: 7x7®, Classic, Integrator®, Interactive+, MT5®.
- Compatible with electronic RFID access control systems, such as Mul-T-Lock's ProQsimity®.

Specifications

- Colors of plastic key head covers: black, blue, red, green, orange, yellow
- Transponder dimensions:
 - Round transponder: 22 mm diameter
 - Capsule transponder: 2 mm diameter, 10 mm length



AC-D31 & AC-C31

Keypad Controller



Function

Standalone access control unit, without computer connection, operated by personal code

Application

Access control for indoor use

Models

- MTL-AC-D31
 - 3x4 keypad configuration
 - Dimensions (mm): 24(D) x 75(W) x 122(L)
- MTL-AC-C31
 - 2x6 keypad configuration
 - Dimensions (mm): 18(D) x 42(W) x 130(L)

Features

- Protection level 1
- Made of white plastic
- Simple programming through the keypad
- LED guided menu
- Up to 500 users
- 3 user levels
- 3 security levels
- Internal buzzer

Specifications

- Power supply: 12 - 16VDC
- Block interface with 4 wire connections
- Relay outlet to electric lock type C: 3.5A
- Relay outlet type C: 1A

AC-Q41H & AC-Q41HB

Anti-Vandal Keypad Controller



Function

Damage-proof standalone access control unit, without computer connection, operated by personal code

Application

Access control for indoor and outdoor use

Models

- MTL-AC-Q41H
 - With keypad automatically heated in low temperatures
- MTL-AC-Q41HB
 - With keypad automatically heated in low temperatures and lighted at night

Features

- Protection level 2
- Made of metal
- Damage-proof case
- Case secured by optical controller
- 3x4 keypad configuration
- Simple programming through the keypad
- LED guided menu
- Up to 500 users
- 3 user levels
- 3 security levels
- Internal buzzer

Specifications

- Dimensions (mm): 22(D) x 76(W) x 120(L)
- Temperature range (°C): -20 to +63
- Power supply: 16-24 or 12-24VDC
- Rear interface with 10 wire connections
- Relay outlet to electric lock type C: 3.5A
- Relay outlet type C: 1A
- 2 inlet connections

ELMG 600 Electromagnet



Function

An electromagnetic lock

Application

Locking doors

Models:

- ELMG 600 - with built-in LED indication of lock status
- ELMG 600S - no LED indication of lock status
- ELMG 600T - with built-in delayed egress control point
- ELMG 600E - embedded lock
- ELMG 600D - with double lock

Options

- Lock status sensor
- Door status sensor
- Timer

Specifications

- Dimensions (mm): 250(L)x43(W)x27(D)
- Holding force: 600 lbs (2700N)
- Failsafe type (power to lock)
- Power supply: 12 or 24VDC (optional)
- Operation current: 500mA@12V or 250mA@24V
- Weight: 2000g

Accessories

Variety of brackets for:

- In-swing door
- Out-swing door
- Glass door

ELMG 1200 Electromagnet



Function

An electromagnetic lock

Application

Locking doors

Models:

- ELMG 1200 - with built-in LED indication of lock status
- ELMG 1200S - no LED indication of lock status
- ELMG 1200T - with built-in delayed egress control point
- ELMG 1200D - with double lock

Options

- Lock status sensor
- Door status sensor
- Timer

Specifications

- Dimensions (mm): 267(L)x67(W)x40(D)
- Holding force: 1200 lbs (5400N)
- Failsafe type (power to lock)
- Power supply: 12 or 24VDC (optional)
- Operation current: 500mA@12V or 250mA@24V
- Weight: 4800g

Accessories

Variety of brackets for:

- In-swing door
- Out-swing door
- Glass door

Electric Strike E7



Function

An electrically operated latch lock

Applications

- Steel doors
- Wooden doors
- Aluminum doors

Features

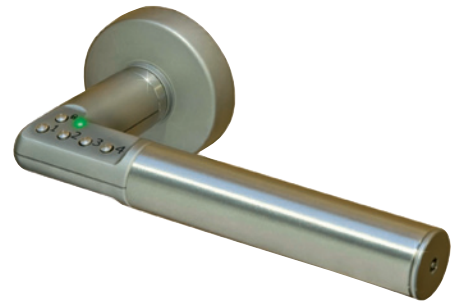
- Latch lock
- Adjustable strike
- Mechanical override option
- Fail-locked/failsafe
- Suitable for right- or left-hand doors by turning 180°
- Symmetrical
- Variety of faceplates

Specifications

- Temperature range (°C): -14 to +40
- Power supply: 8 - 16V AC/DC
- Break-in resistance: 3500N

Code-It™

Electronic Security Handle



Function

An automatic locking mechanism, built into the handle, allows the door to open with a personal code.

Applications

For indoor use. Suitable for use with most types of locking/latching products.

Features

- 2 operating modes:
 - Automatic locking
 - Manual locking
- 4 to 6 digit secret code
- Locks only from outside
- Simple operation
- Easy replacement
- Does not require an electrical outlet
- Low cost maintenance

Specifications

- For door thickness 35-80 mm
- Up to 9 separate codes
- Indication light
- Indication sound



VEHICLE PROTECTION SOLUTIONS

Vehicle Protection Solutions

Mul-T-Lock offers a broad range of advanced mechanical, electromechanical and electronic High Security products for cars, trucks and motorcycles. Specially developed for vehicle applications, and based on 3 decades of experience, these robust anti-theft systems incorporate Mul-T-Lock's high quality cylinders.

Vehicle locking solutions

Mul-T-Lock's powerful vehicle protection systems lock the gear lever, steering wheel and/or hood. Developed to fit a vast range of vehicle models, these strong locks resist even the most "creative" types of attack.

Trailer & container locks

Mul-T-Lock's smart and strong trailer and container locks protect valuable cargos with specially developed High Security solutions, based on the company's padlocks and cylinders.

Motorcycle security systems

Mul-T-Lock's effective High Security systems for motorcycles have been specially designed to meet the needs of motorcycle owners, and ensure their peace of mind.





MACHINERY

KC5™

Computerized Key-Cutting Machine

KC5 is Mul-T-Lock Machinery's perfect answer for the modern-day locksmith in search of new professional horizons. Computerized, intelligent and automatic, this elegant key-cutting platform responds to the needs of all customers, large and small: from single key orders to extensive projects requiring complex security solutions.

Compatible with all Mul-T-Lock cylinder platforms, including the ground-breaking MT5®, KC5 offers cut-to-code capabilities based on magnetic card readings, as well as key marking features and user-friendly software.

A web-based Machine Management System, specially developed by Mul-T-Lock, provides this smart machine with advanced configuration, authorization and service management capabilities.

Specifications

Width: 500 mm (19.7")

Height: 360 mm (14.2")

Depth: 340 mm (13.4")

Motor: Single phase 300W

Voltage: 110v 60 Hz
220v 50 Hz

Weight: 32kg (71.5 lb.)

Approval: CE Machinery Directive
(89/392/EEC)



Compact MT5[®]

Semi-Automatic Key-Cutting Machine

Mul-T-Lock Machinery's Compact MT5 semi-automatic key-cutting machine is a modern, high-precision, CE-certified machine that cuts Mul-T-Lock cut-to-code keys of the MT5 series.

The machine is equipped with a magnetic card reader and an LCD display. The key combination is set automatically by sliding the magnetic card (included in the original package sold to the customer) through the reader, and all information (combination, machine status and operation instructions) is displayed on the wide LCD screen.

Additional advanced features include: authorization system enabling individual profile authorization for each machine; automatic depth-setting mechanism; delete mechanism that erases key information one minute after key-cutting is completed.

The machine cuts keys according to the manufacturer's initial specifications, and cutting is performed one side at a time.

The semi-automatic Compact MT5 is lightweight and portable yet robust, weighing only 20.6 kg (45 lb.), and conveniently equipped with a handle. Compatible with 110/220 volts, it may be used in vehicles when connected to a suitable power supply (not supplied).

Available in 110 and 220 volt versions.

Specifications

Width: 245 mm (9 ⁵/₈")

Height: 327 mm (12 ⁷/₈")

Depth: 355 mm (14")

Motor: DC brushless 300W

Voltage: 110v - 230v / 60Hz/50Hz

Weight: 20.6kg (45 lb.)

Approval: CE Machinery Directive (89/392/EEC)



Compact II

Manual Key-Cutting Machine

Mul-T-Lock Machinery's compact manual key-cutting machine is a modern, high-precision, CE-certified machine that cuts Mul-T-Lock cut-to-code keys of the Classic and Interactive® series.

Set to the correct combination by the key registration card (included in the original package sold to the customer), the machine cuts keys according to the manufacturer's initial specifications. Cutting is performed one side at a time, allowing a different combination on either side of a single key blank.

The machine features a new depth-setting mechanism, patent pending in many countries worldwide, and is capable of cutting side and back pins. It is lightweight and portable, weighing only 20.6 kg (45 lb.) and conveniently equipped with a handle, and may be used in vehicles with a suitable power supply (not supplied).

Available in 110 and 220 volt versions.

Specifications

Width: 245 mm (9 5/8")

Height: 327 mm (12 7/8")

Depth: 355 mm (14")

Motor: Single phase 245W

Voltage: 110v 60Hz

100v 60Hz/50Hz (Japan)

220v 50Hz

Weight: 20.6kg (45 lb.)

Approval: CE Machinery Directive
(89/392/EEC)



Compact 7x7[®]

Manual Key-Cutting Machine

Mul-T-Lock Machinery's compact manual key-cutting machine is a modern, high-precision, CE-certified machine that cuts Mul-T-Lock cut-to-code keys of the 7x7 and integrator[®] series.

Set to the correct combination by the key registration card (included in the original package sold to the customer), the machine cuts keys according to the manufacturer's initial specifications. Cutting is performed one side at a time, allowing a different combination on either side of a single key blank.

The machine features a new depth-setting mechanism, patent pending in many countries worldwide, and is capable of cutting side and back pins. It is lightweight and portable, weighing only 20.6 kg (45 lb.) and conveniently equipped with a handle, and may be used in vehicles with a suitable power supply (not supplied).

Available in 110 and 220 volt versions.

Specifications

Width: 245 mm (9 ⁵/₈"

Height: 327 mm (12 ⁷/₈"

Depth: 355 mm (14"

Motor: Single phase 245W

Voltage: 110v 60Hz

100v 60Hz/50Hz (Japan)

220v 50Hz

Weight: 20.6kg (45 lb.)

Approval: CE Machinery Directive
(89/392/EEC)



Key Transfer Machine

Industrial Machine

Featuring a new and unique Mul-T-Lock Machinery concept, this fully automatic industrial machine produces key blanks directly from a strip of nickel silver. In this way it minimizes the waste of expensive raw material, maximizes outputs, and enables a most cost-effective key manufacturing solution.

Operating around the clock, the innovative key transfer machine manufactures up to 1200 key blanks per hour, in an all-inclusive 11-station process that includes cutting the profile and blanks, marking, drilling patent holes and tip tapering.

3 machines of this type are presently operating at Mul-T-Lock's plant.



KMC100

Industrial Machine

The advanced KMC100 key machining center is an excellent solution for plants manufacturing large volumes of standard, dimple and angular keys, as well as key profiles.

Based on a top-of-the-line motion platform from Yaskawa/Omron, combined with powerful job management software, the KMC100 features standard machining stations for bitting, profiling, grooving and de-burring processes, backed by standard process support capabilities: key blank loading from magazine or bowl feeder, pin marking, laser marking, burr removal, brushing and scraping, coiling, final uploading to either magazine or conveyor and optional in-line optical or laser inspection. Fast adjustment tools and user-friendly HMI further enhance the machine's performance.

All key machining centers manufactured by Mul-T-Lock Machinery are adapted and tailored to the customer's precise requirements.

Specifications

Width: 4000 mm (157.5")

Height: 2200 mm (86.6")

Depth: 1300 mm (51.2")

Voltage: 380V/3x32Amp

Weight: 3000kg (6705.4 lb.)

Approval: CE Machinery Directive (89/392/EEC)



CAC100

Industrial Machine

The CAC100 is a fully automatic cylinder assembly center, that is capable of completely assembling 10 different types of cylinders for a vast variety of applications, including whole master systems. The machine uses 23 types of pins, and performs relevant functionality tests,

Taking its assembly instructions directly from computer files, and featuring two robots for loading and unloading, 21 pin feeders and 10 assembly stations placed in a circular structure, the CAC100 assembles one cylinder in 9 seconds, or 400 cylinders per hour.

Specifications

Width: 4300 mm (169.3")

Height: 2500 mm (98.4")

Depth: 4300 mm (169.3")

Voltage: 380V/3x63Amp

Weight: 4800kg (10728 lb.)

Approval: CE Machinery Directive (89/392/EEC)



Combined Pins Assembly Machine

Industrial Machine

Based on watchmaker mechanics for handling miniature parts, this specialized pin assembly machine eliminates the need for complex and costly spring feeding devices, by producing and inserting its own springs. Very fast and fully automated, it produces approximately 900 pins per hour.

Tailored by Mul-T-Lock Machinery to meet every customer's needs, the machine can assemble a variety of different pins – as specified by the user, featuring fast and easy setups between different products.

The combined pin assembly machine incorporates 8 stations:

- 2 bowl feeders that hold up to 2000 pins, feeding them continuously into the line.
- A station that checks each pin's positioning.
- Automatic spring production, plus insertion of spring into outer pin
- Insertion of inner pin.
- Checking that each finished pin is operational.
- Sorting and separately downloading good and rejected products.



SI200

Semi-Industrial Key-Cutting Machine

The SI200 is an innovative semi-industrial key-cutting machine targeting businesses with medium production volumes.

Based on a top-of-the-line PC-based motion platform from Yaskawa/Omron, combined with powerful, user-friendly, job management software, the SI200 features standard machining stations for bitting and profiling processes.

Thanks to its computerized capabilities, plus automatic key blank feeder and unloading stations, the SI200 requires minimal manpower to operate. It is suitable for cutting a broad variety of key types, and offers cut-to-code and key marking capabilities. Additional options include laser marking and brushing stations.

Specifications

Width: 1200 mm (47.2")

Height: 1900 mm (74.8")

Depth: 800 mm (31.5")

Motor: Single phase 300W

Voltage: 110v 60 Hz
220v 50 Hz

Weight: 450kg (1005 lb.)

Approval: CE Machinery Directive
(89/392/EEC)



INDEX



A		
“Abloy” Type Locks Cylinder.....	47	Code-it 173
AC-D31 & AC-C31.....	168	Combined Pins Assembly Machine..... 187
AC-Q41H & AC-Q41HB.....	169	Compact II Machine..... 182
Anti-Ligature Thumbturn.....	77	Compact MT5 Machine..... 181
-----		Compact 7x7® Machine..... 183
B		Construction Master Cylinder..... 76
“Baldwin” Type Locks Cylinder.....	71	C-Series Accessories..... 120
“Blindex” Type Locks Cylinder.....	60	C-Series Padlock..... 112
Break Secure Cylinder.....	77	C-Series Padlock - Sliding Bolt..... 113
“Bricard” Type Locks Cylinder.....	67	C-Series Padlock - Single Pin..... 114
Bullet Lock.....	96	Cylinder Accessories..... 78
-----		Cylinder Cams..... 79
C		Cylinder Finishes..... 80
“C.V.L.” Type Locks Cylinder.....	70	-----
CAC100 Machine.....	186	D
Cam Lock Ø19 mm (¾”).....	83	Double Locking Mechanism..... 143
Cam Lock Ø22 mm (⅞”).....	84	Drawer Deadlock..... 93
Cam Lock Ø29 mm (1⅛”).....	85	Drawer Latch Lock..... 94
Cam Lock for Mail Box.....	86	-----
“Cazis” Type Locks Cylinder.....	72	E
“Cisa” Type Locks Cylinder.....	43	E-Series Padlock..... 109-111
“City” Type Lock Cylinder.....	66	Electric Strike E7..... 172
Classic Platform.....	9	ELMG 600 Electromagnet..... 170
CliQ® Control Key.....	155	ELMG 1200 Electromagnet..... 171
CliQ® Cylinder.....	151	Emergency Cylinder..... 77
CliQ® Local Programming Device.....	161	Euro Profile Cylinder..... 20-21
CliQ® Manager Software.....	159	Euro Profile Cylinder Security Protector..... 147
CliQ® Quartz and QuartzXT Key.....	154	Euro Profile Cylinder High Security Protector..... 146
CliQ® Quartz+ Key.....	153	Euro Profile Modular Cylinder..... 74-75
CliQ® Remote - Mobile Programming Device.....	156	-----
CliQ® Remote - Wall Programming Device.....	157	F
CliQ® Waterproof Padlock.....	152	“Fichet” Type Mortise Locks Cylinder..... 45
CliQ® Web Manager Software.....	158	“Fichet” Type Rim Locks Cylinder..... 44
Cronus.....	104	File Cabinet Lock..... 98

G

G-Series Padlock 47, 55	115
G-Series Padlocks 47P, 55P	116
G-Series Padlocks - Plastic Cover	119
Gas Tank Lock	99
“Goal” Type AS.LX Locks Cylinder	56
“Goal” Type K.I.K AD Locks Cylinder	58
“Goal” Type K.I.K UC-6 Locks Cylinder	57

H

HaspLock	117
Hercular® Deadbolt	102-103

I

“Ingersoll” Type Locks Cylinder	42
Integrator® Platform	10
Interactive® + Platform	8

K

K.I.K. (Key In Knob) Cylinder	32
K.I.K. Bodies & Plugs	35-36
K.I.K. Brands Reference Guide	33-34
K.I.K. Tails	37
KC5™ Machine	180
“Keso” Type Locks Cylinder	59
Key Deposit Box Lock	87
Key Options	16-17
Key Transfer Machine	184
Keying Possibilities	12
KMC100 Machine	185
“Kwikset” Type Locks Cylinder	63

L

“Lips” Type Key Deposit Box Lock	88
Lock 700 Model	136-137
“Lockwood” Type Locks Cylinder	46

M

M-60 Mortise Deadlock	100
Master Keying	13-15
MATRIX	138-139
Mini-bars Series Lock	129-135
“Miwa” Type BH & LA Locks Cylinder	50
“Miwa” Type HPD Locks Cylinder	53
“Miwa” Type KS-112 Locks Cylinder	52
“Miwa” Type LIX & SWLSP Locks Cylinder	48
“Miwa” Type NDR Locks Cylinder	49
“Miwa” Type PMK Locks Cylinder	51
“Miwa” Type RA Locks Cylinder	54
Mortise Cylinder	26
Mortise Cylinder Cams	27
MPL Series	126
MPL415G Lock Set	128
MT5® Platform	7
Multi-Bolt Locking for Cabinet	92

N

Norwegian Oval Cylinder	38
-------------------------------	----

O

OMEGA PLUS	140-141
------------------	---------



P		T	
Plunger Lock	101	T-Handle Lock	97
“Prefer” Type Locks Cylinder.....	73	TLO - Temporary Lock Out Cylinder	76
ProQsimity® Offline.....	162	Top-Guard®.....	106
ProQsimity® Standalone.....	163	-----	-----
ProQsimity® ANSI.....	164-165	U	
Push Lock.....	95	U.K. Oval Profile Cylinder	22-23
-----	-----	-----	-----
R		V	
Reinforced Cylinder	77	“Vachette” Type Locks Cylinder.....	65
Reinforced Rim Cylinder Ø29 mm (Centered Plug).....	31	“Vega” Type Locks Cylinder	61
Rim Cylinder	28	Vehicle Protection Solutions.....	177
Rim Ø35 Cylinder.....	29	-----	-----
Rimo Cylinder	30	W	
Round Cylinder for “Ruko” Type Locks	39	“Weiser” Type Locks Cylinder	62
Round Padlock	118	-----	-----
-----	-----	Y	
S		“Yale” Type I.C. Locks Cylinder.....	68
SH300 Hardware.....	148	“Yale” Type ST & ST2 Locks Cylinder.....	64
SI200 Machine	188	-----	-----
Scandinavian Oval Cylinder	40	Other	
Scandinavian Round Cylinder.....	41	257.....	145
“Schlage” Type I.C. Locks Cylinder.....	69	354M.....	144
“Showa” Type CL-50 Locks Cylinder.....	55	3 IN 1 Cylinder	76
Showcase Lock	105	4 Way Locks 231,232.....	122
Single Locking Mechanism.....	142	4 Way Locks 235,265.....	123
SPL Series.....	127	4 Way Lock 250.....	124
Swiss Profile Cylinder.....	24-25	4 Way Lock 603.....	125
Switch Lock	90-91	7x7® Platform	11
Switch Lock for Alarm System.....	89		
SynerCLIQ®	160		
SynerKey	167		

General Terms and Conditions of Sale and Trade

1. Conditions of Sale

All sales made or negotiated by Mul-T-Lock Technologies Ltd. ("MTLT") shall be subject to the Terms and Conditions set forth herein, which may be added to, modified, superseded or otherwise altered only by written instrument signed by authorized executives of MTLT. Failure of MTLT to object to any provisions that may be contained in any order or other form of Buyer, shall not be construed as a waiver of these Terms and Conditions nor an acceptance of any such provision.

2. Shipment and Delivery

Unless otherwise specifically agreed by writing, delivery terms are F.O.B. Israel. Buyer shall assume all risk of loss or damage upon delivery to carrier at the port of shipment, even if other delivery terms are agreed upon. Shipping dates are approximate and are based upon prompt receipt of all necessary information. MTLT shall not be liable for delays in delivery or failure to manufacture or deliver due to causes beyond its control, such as but not limited to: acts of God, acts of Buyer, acts of Authority, delays in transportation, etc. in which case, the date of delivery shall be extended for a period equal to time lost by reason of the delay. Goods shall be supplied +/- 5% of ordered quantity. Partial shipments may be made.

3. Payment Terms

Unless otherwise agreed in writing, payment should be in accordance to the payment terms stated on the invoice. If payments are not made when due, Buyer will pay, in addition to the overdue payment a late charge equal to the lesser of 1.5% per month or the highest applicable rate allowed by law on such overdue amounts. Payment should be made by an irrevocable Letter of Credit (L/C) confirmed by a first class bank acceptable to MTLT, to be opened by Buyer and received by MTLT at least nine weeks before ex-factory delivery date. If payment C.A.D. will be agreed upon, Buyer undertakes to release the shipment from carrier within two weeks from arrival at port of destination. All payments to MTLT by bank remittance are to be effected by electronic bank transfer.

4. Prices

Prices are subject to changes and will be indicated on each order confirmation/proforma invoice. MTLT's price lists are for general information only, and do not constitute a binding open offer by MTLT for the sale of Products. MTLT reserves the right to make modifications, or changes at any time without prior notice

5. Possession and Title

The goods shall remain in MTLT's legal and equitable ownership until such time as Buyer pays to MTLT the agreed price together with the full price of any goods which are the subject of any other order placed with MTLT, and until such payment, Buyer shall be in possession of the goods in a fiduciary capacity as bailee for MTLT.

MTLT normally will not accept Products for re-stocking. Any cancellation of Products within 7 working days, will be accepted subject to payment of 15% of the purchase order as an handling fee and will bear all transportation costs.

6. Default of Infringement

6.1 In the event that at any time Buyer is in default of payment or in breach of these terms, MTLT reserves the right to withhold delivery, cancel and terminate any order, and hold Buyer liable for any damage or expenses incurred by or to MTLT.

6.2 In addition to the above, MTLT reserves the immediate right to re-possess any goods to which it has retained title as aforesaid and thereafter to re-sell the same, without prejudice to any of MTLT's rights hereunder or otherwise.

7. Mul-T-Lock Restrictive Key Cutting System

Buyer undertakes to follow and to act according to MTLT's Restrictive Key Cutting System as in force from time to time, and to request its latest version from MTLT.

8. Trade Relations

Relations under these terms are those of seller and buyer for each sale and should not be construed as an undertaking for continuing sales. Buyer has no right to create any obligation or responsibility whatsoever on behalf or in the name of MTLT, nor use MTLT's trademarks and/or tradenames without MTLT's express written consent, nor by any act of omission, harm the good reputation of MTLT.

9. Warranty and Liability for Goods Sold

The Warranty supplied with goods purchased hereunder will be the sole warranty with respect to such goods. The Buyer will provide to dealers and end-user customers all warranty service under the terms of the Warranty for the entire period specified therein. MTLT will repair or replace at its sole discretion the product parts specified in the warranty, subject to entitlement under the warranty and under the terms thereof. MTLT shall not be liable for consequential or incidental damages, or for any expenses or losses incurred by Buyer and/or dealers and/or end-user customers for any reason whatsoever, including but not limited to any expenses or losses associated with an unauthorized representation or warranty as to the goods.

10. Language

The only foreign language binding MTLT in correspondence, documents, etc., shall be the English language.

11. Applicable Law and Jurisdiction

These terms are governed by and construed according to the laws of the State of Israel. The exclusive jurisdiction with respect to any dispute arising between the parties under these terms shall be with the Competent Court in the District of Tel-Aviv, Israel.



About Mul-T-Lock

For close to 40 years, Mul-T-Lock has been designing, manufacturing, marketing and distributing innovative High Security locking solutions to people, places and organizations globally. Adhering to the world's most stringent standards, Mul-T-Lock High Security solutions are at work on every continent, in nearly 100 countries, and securing over 100 million users. Using advanced and patented technologies, Mul-T-Lock stays a step ahead of the market by anticipating customers' security and operational needs.

As a member of the ASSA ABLOY group, and with availability through over 20,000 authorized and trained service centers, customers rely on Mul-T-Lock to provide proven, proactive and protective High Security locking platforms.

www.mul-t-lock.com

The Mul-T-Lock name and the muscleman logo, and any other name, mark or logo used by Mul-T-Lock and marked by an © or ™ sign are registered/pending trademarks of Mul-T-Lock Ltd. in various countries. Mul-T-Lock reserves the right to make any product improvements or modifications without prior notice. © 2012 Mul-T-Lock Technologies Ltd. Cat. No.98100878-F

An ASSA ABLOY Group brand

ASSA ABLOY